

**PROPRIETARY
PROPOSAL**

**** PROPRIETARY AND CONFIDENTIAL ****

THIS DOCUMENT AND THE INFORMATION
HEREIN IS THE SOLE PROPERTY OF
SUN WEST ENGINEERING INC.
DUPLICATION OF THIS INFORMATION WITHOUT
PRIOR CONSENT OF SUN WEST ENGINEERING
IS FORBIDDEN.



SUN WEST ENGINEERING, INC.
3802 E. BROADWAY, PHOENIX, AZ 85040 (602) 275-0662

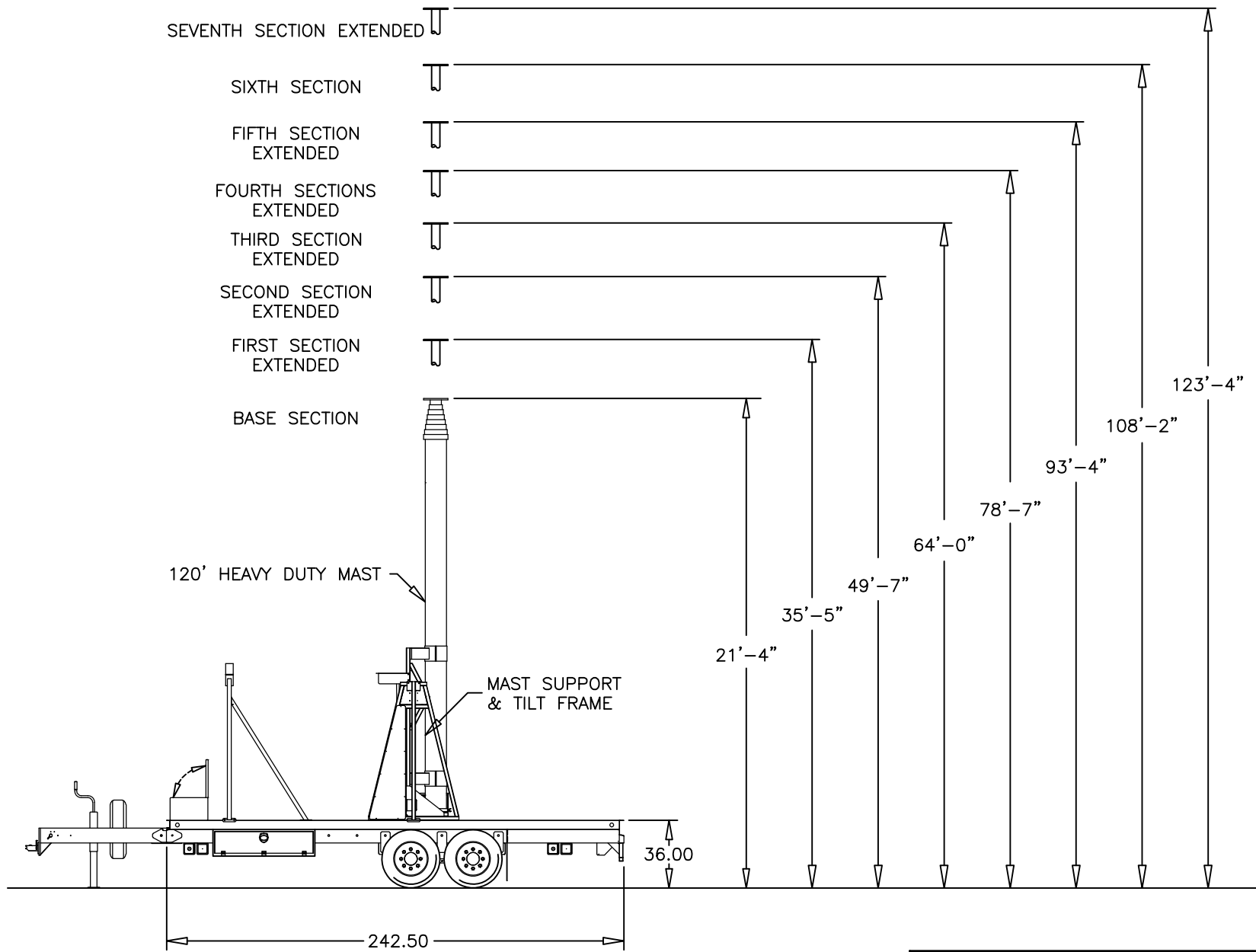
TITLE: 20' TOW - 120' MAST
SIDEVIEW

CUSTOMER:

PLOTTED SCALE: .XXXX=1 SHEET: 1 of 1

DRAWN BY: *HJM* DATE DRAWN: 08-05-09

REVISED: 05-23-11 DWG. No. SW-3166




SEVENTH SECTION EXTENDED
 SIXTH SECTION
 FIFTH SECTION EXTENDED
 FOURTH SECTIONS EXTENDED
 THIRD SECTION EXTENDED
 SECOND SECTION EXTENDED
 FIRST SECTION EXTENDED
 BASE SECTION

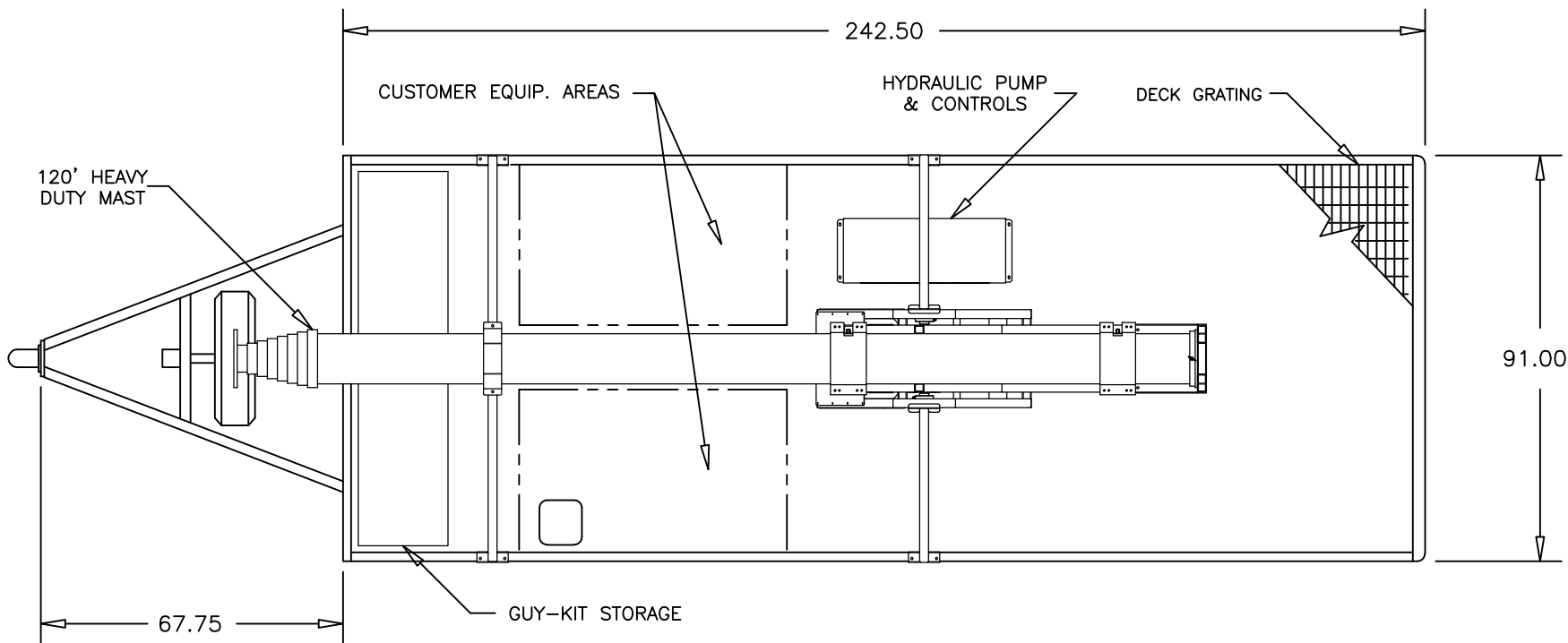
120' HEAVY DUTY MAST

MAST SUPPORT & TILT FRAME

**PROPRIETARY
 PROPOSAL**

**** PROPRIETARY AND CONFIDENTIAL ****
 THIS DOCUMENT AND THE INFORMATION
 HEREIN IS THE SOLE PROPERTY OF
 SUN WEST ENGINEERING INC.
 DUPLICATION OF THIS INFORMATION WITHOUT
 PRIOR CONSENT OF SUN WEST ENGINEERING
 IS FORBIDDEN.

	
SUN WEST ENGINEERING, INC. 3802 E. BROADWAY, PHOENIX, AZ 85040 (802) 275-0662	
TITLE: 20' TOW - 120' MAST ELEVATION	
CUSTOMER:	
PLOTTED SCALE: .XXXX=1	SHEET: 1 of 1
DRAWN BY: <i>HJM</i>	DATE DRAWN: 08-05-09
REVISED: 05-23-11	DWG. No. SW-3169



**PROPRIETARY
PROPOSAL**

**** PROPRIETARY AND CONFIDENTIAL ****

THIS DOCUMENT AND THE INFORMATION
HEREIN IS THE SOLE PROPERTY OF
SUN WEST ENGINEERING INC.
DUPLICATION OF THIS INFORMATION WITHOUT
PRIOR CONSENT OF SUN WEST ENGINEERING
IS FORBIDDEN.



SUN WEST ENGINEERING, INC.
3802 E. BROADWAY, PHOENIX, AZ 85040 (602) 275-0662

TITLE: 20' TOW - 120' MAST
TOP VIEW

CUSTOMER:

PLOTTED SCALE: .XXXX=1

SHEET: 1 of 1

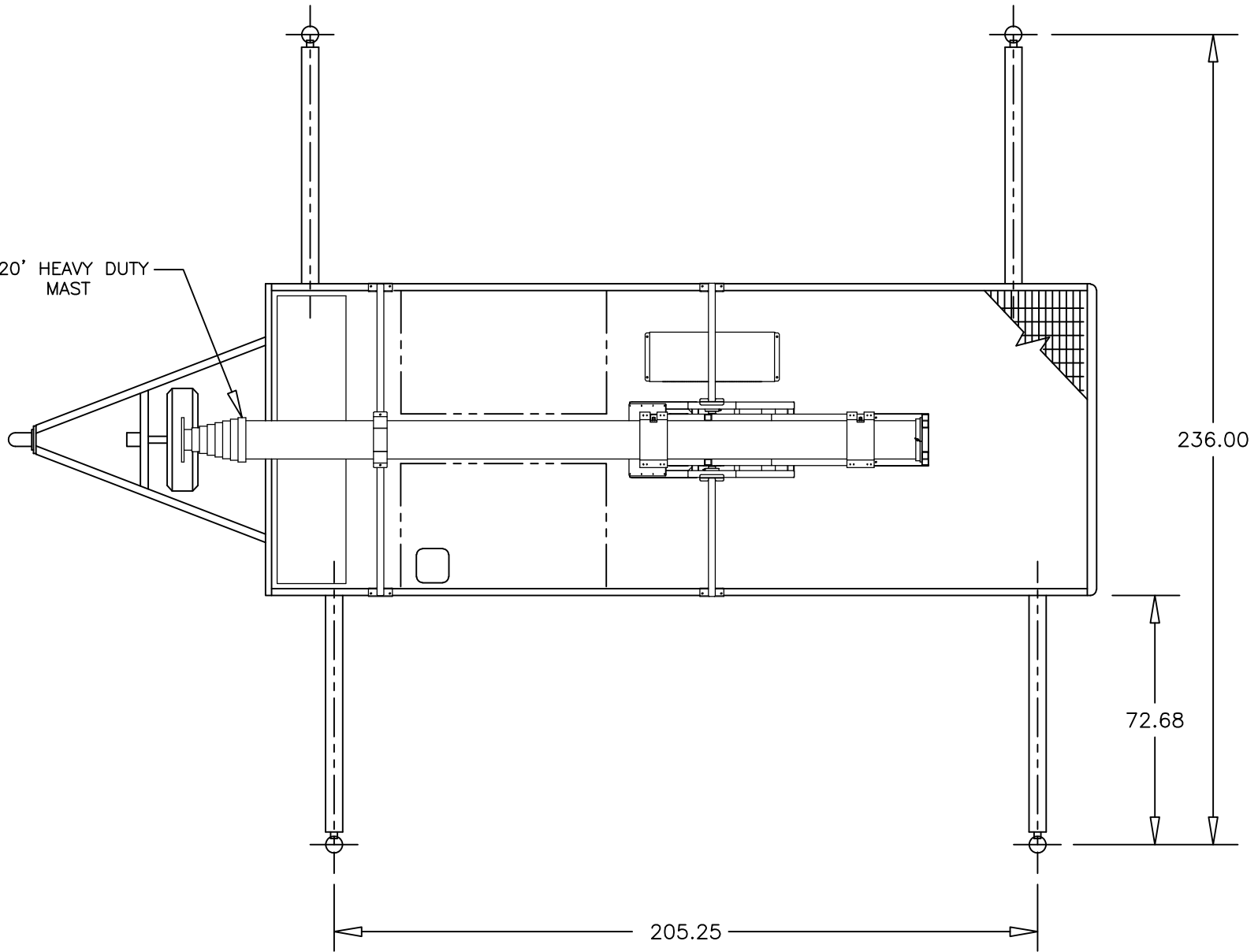
DRAWN BY: *HJM*

DATE DRAWN: 08-05-09

REVISED: 05-23-11

DWG. No. SW-3167

120' HEAVY DUTY
MAST



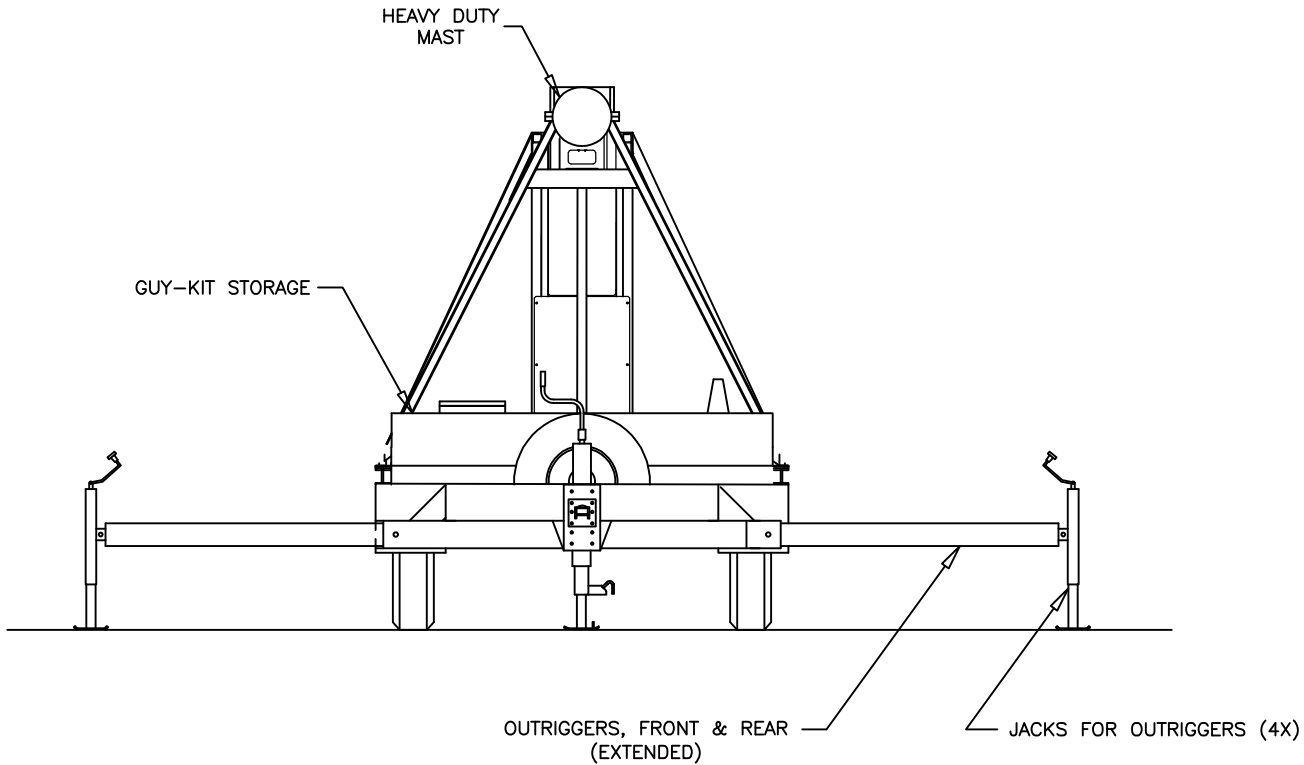
**PROPRIETARY
PROPOSAL**

**** PROPRIETARY AND CONFIDENTIAL ****

THIS DOCUMENT AND THE INFORMATION
HEREIN IS THE SOLE PROPERTY OF
SUN WEST ENGINEERING INC.
DUPLICATION OF THIS INFORMATION WITHOUT
PRIOR CONSENT OF SUN WEST ENGINEERING
IS FORBIDDEN.



SUN WEST ENGINEERING, INC.	
3802 E. BROADWAY, PHOENIX, AZ 85040 (602) 275-0662	
TITLE: 20' TOW - 120' MAST OUTRIGGERS	
CUSTOMER:	
PLOTTED SCALE: .XXXX=1	SHEET: 1 of 1
DRAWN BY: <i>NCH</i>	DATE DRAWN: 08-05-09
REVISED: 08-10-09	DWG. No. SW-3168



**PROPRIETARY
PROPOSAL** 

**** PROPRIETARY AND CONFIDENTIAL ****

THIS DOCUMENT AND THE INFORMATION
HEREIN IS THE SOLE PROPERTY OF
SUN WEST ENGINEERING INC.
DUPLICATION OF THIS INFORMATION WITHOUT
PRIOR CONSENT OF SUN WEST ENGINEERING
IS FORBIDDEN.



SUN WEST ENGINEERING, INC.
3802 E. BROADWAY, PHOENIX, AZ 85040 (602) 275-0662

TITLE:
TILT OVER TRAILER, FRONT VIEW

CUSTOMER:	
PLOTTED SCALE: .XXXX=1	SHEET: 1 of 1
DRAWN BY: <i>HJM</i>	DATE DRAWN: 8-10-09
REVISED: 5-23-11	DWG. No. SW-3174