

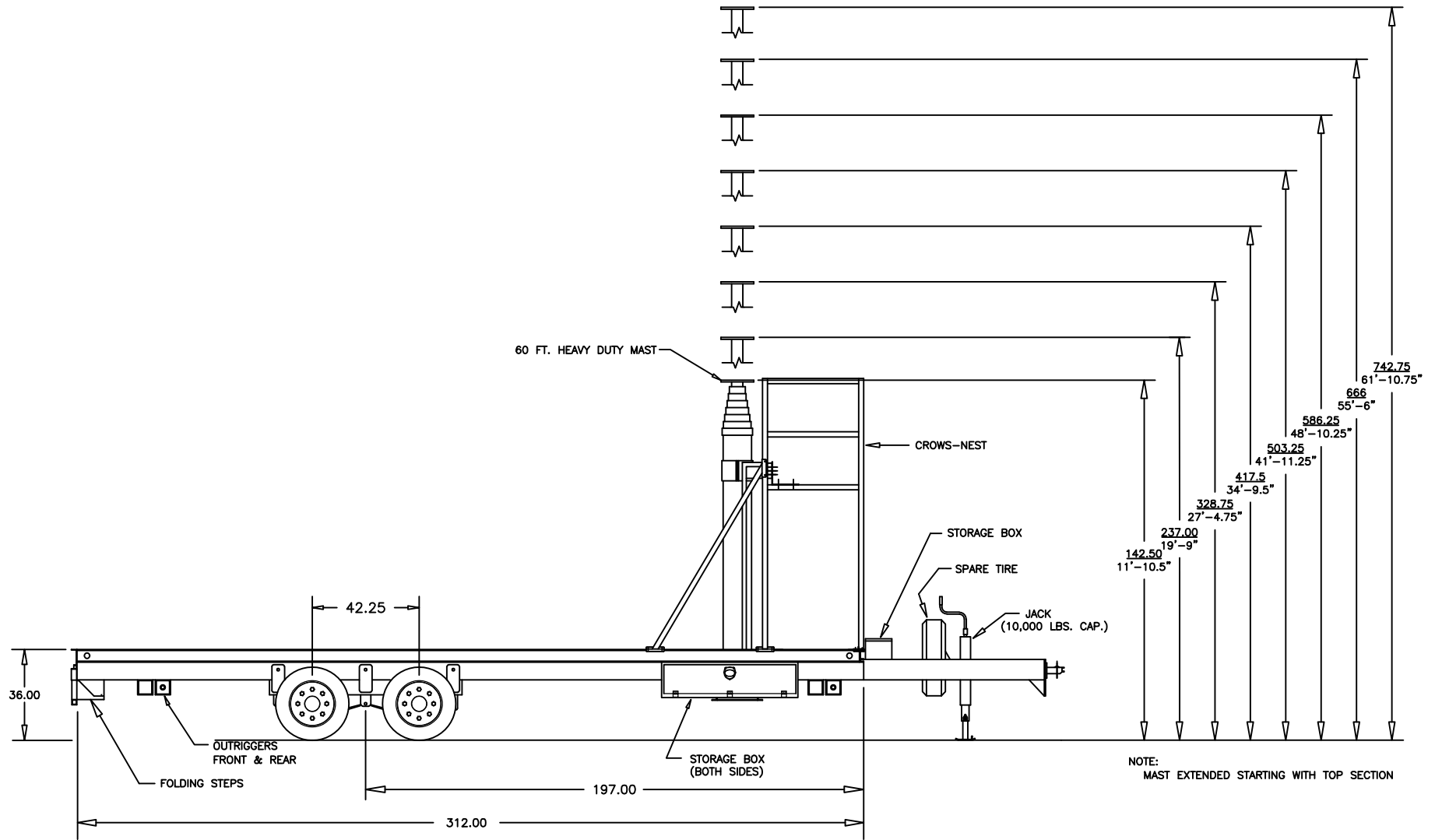
**PROPRIETARY
PROPOSAL**

**** PROPRIETARY AND CONFIDENTIAL ****

THIS DOCUMENT AND THE INFORMATION
HEREIN IS THE SOLE PROPERTY OF
SUN WEST ENGINEERING INC.
DUPLICATION OF THIS INFORMATION WITHOUT
PRIOR CONSENT OF SUN WEST ENGINEERING
IS FORBIDDEN.



SUN WEST ENGINEERING, INC. 3802 E. BROADWAY, PHOENIX, AZ 85040 (602) 275-0662	
TITLE: 26 FT. EQUIPMENT TRAILER WITH CROWS NEST AND MAST	
CUSTOMER:	
PLOTED SCALE: .XXXX=1	SHEET: 1 of 1
DRAWN BY: <i>HSA</i>	DATE DRAWN: 1-2-07
REVISED: 5-19-11	DWG. No. SW-2534



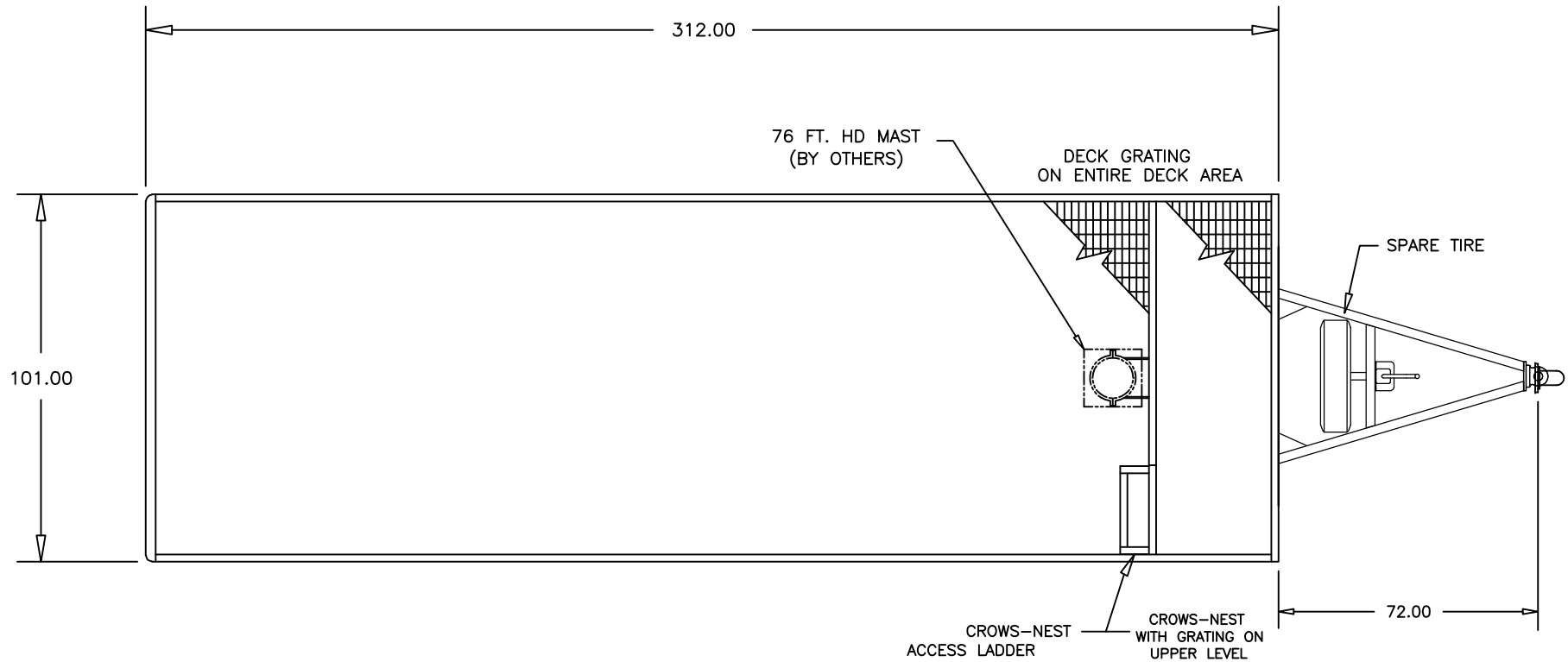
**PROPRIETARY
PROPOSAL**

**** PROPRIETARY AND CONFIDENTIAL ****

THIS DOCUMENT AND THE INFORMATION
HEREIN IS THE SOLE PROPERTY OF
SUN WEST ENGINEERING INC.
DUPLICATION OF THIS INFORMATION WITHOUT
PRIOR CONSENT OF SUN WEST ENGINEERING
IS FORBIDDEN.



SUN WEST ENGINEERING, INC. 3802 E. BROADWAY, PHOENIX, AZ. 85040 (602) 275-0662	
TITLE: 26 FT. EQUIPMENT TRAILER	
CUSTOMER:	
PLOTTED SCALE: .XXXX=1	SHEET: 1 of 1
DRAWN BY: <i>WV</i>	DATE DRAWN: 5-19-11
REVISED:	DWG. No. SW-3732



**PROPRIETARY
PROPOSAL**

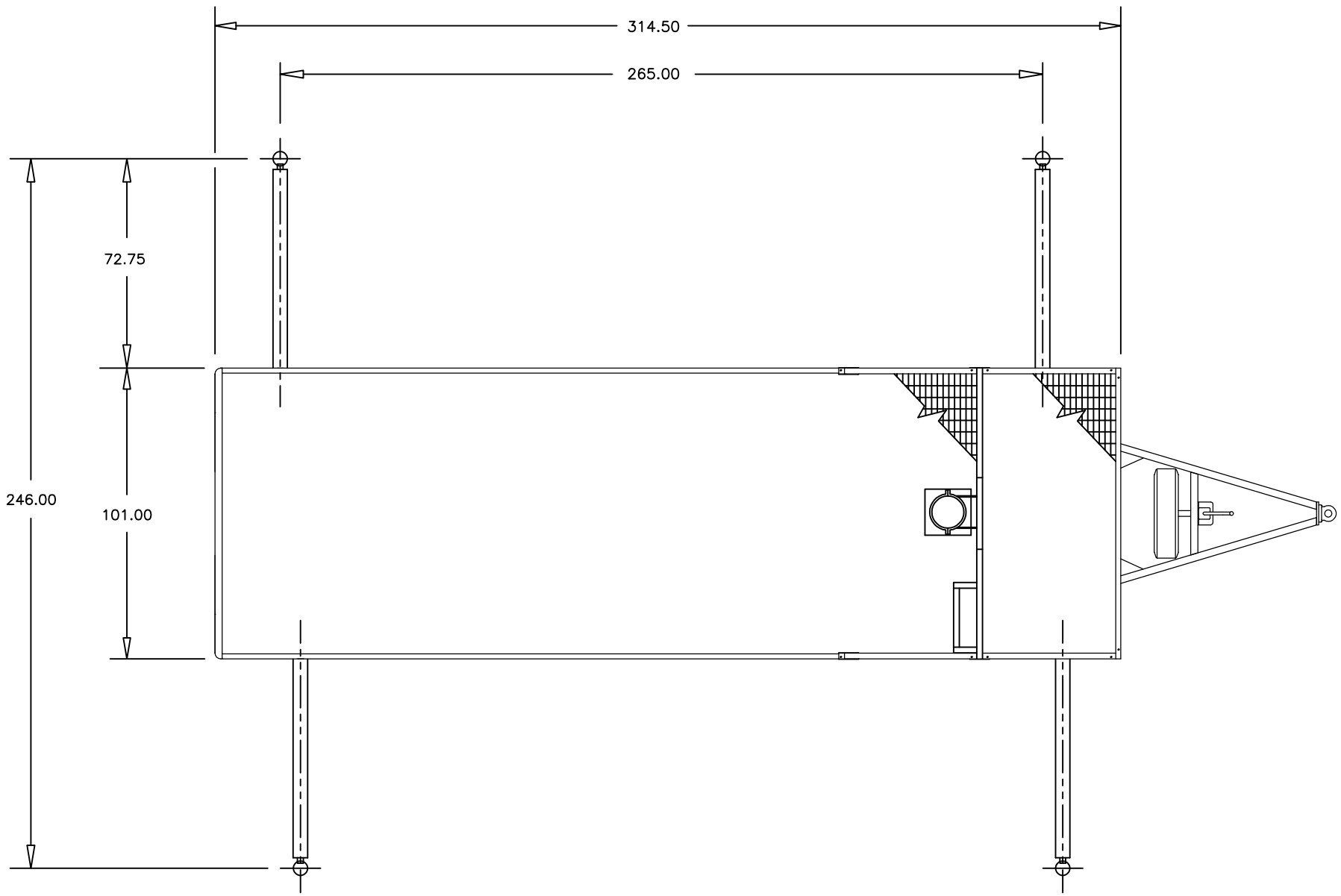
**** PROPRIETARY AND CONFIDENTIAL ****

THIS DOCUMENT AND THE INFORMATION
HEREIN IS THE SOLE PROPERTY OF
SUN WEST ENGINEERING INC.

DUPLICATION OF THIS INFORMATION WITHOUT
PRIOR CONSENT OF SUN WEST ENGINEERING
IS FORBIDDEN.




SUN WEST ENGINEERING, INC.	
3802 E BROADWAY, PHOENIX, AZ 85040 (602) 275-0662	
TITLE: SUN WEST 26' EQUIPMENT TRAILER	
CUSTOMER:	
PLOTTED SCALE: .XXXX=1	SHEET: 1 of 1
DRAWN BY: <i>HJM</i>	DATE DRAWN: 5-28-10
REVISED: 5-19-11	DWG. No. SW-3368



**PROPRIETARY
PROPOSAL**

**** PROPRIETARY AND CONFIDENTIAL ****

THIS DOCUMENT AND THE INFORMATION
HEREIN IS THE SOLE PROPERTY OF
SUN WEST ENGINEERING INC.
DUPLICATION OF THIS INFORMATION WITHOUT
PRIOR CONSENT OF SUN WEST ENGINEERING
IS FORBIDDEN.

		SUN WEST ENGINEERING, INC. 3802 E. BROADWAY, PHOENIX, AZ 85040 (602) 275-0662	
		TITLE: SUN WEST 26' HEAVY DUTY TRAILER OUTRIGGERS DEPLOYED	
CUSTOMER:			
PLOTTED SCALE: .XXXX=1	SHEET: 1 of 1		
DRAWN BY: <i>HJM</i>	DATE DRAWN: 10-12-07		
REVISED:	DWG. No. SW-2792		