

**PROPRIETARY  
PROPOSAL**

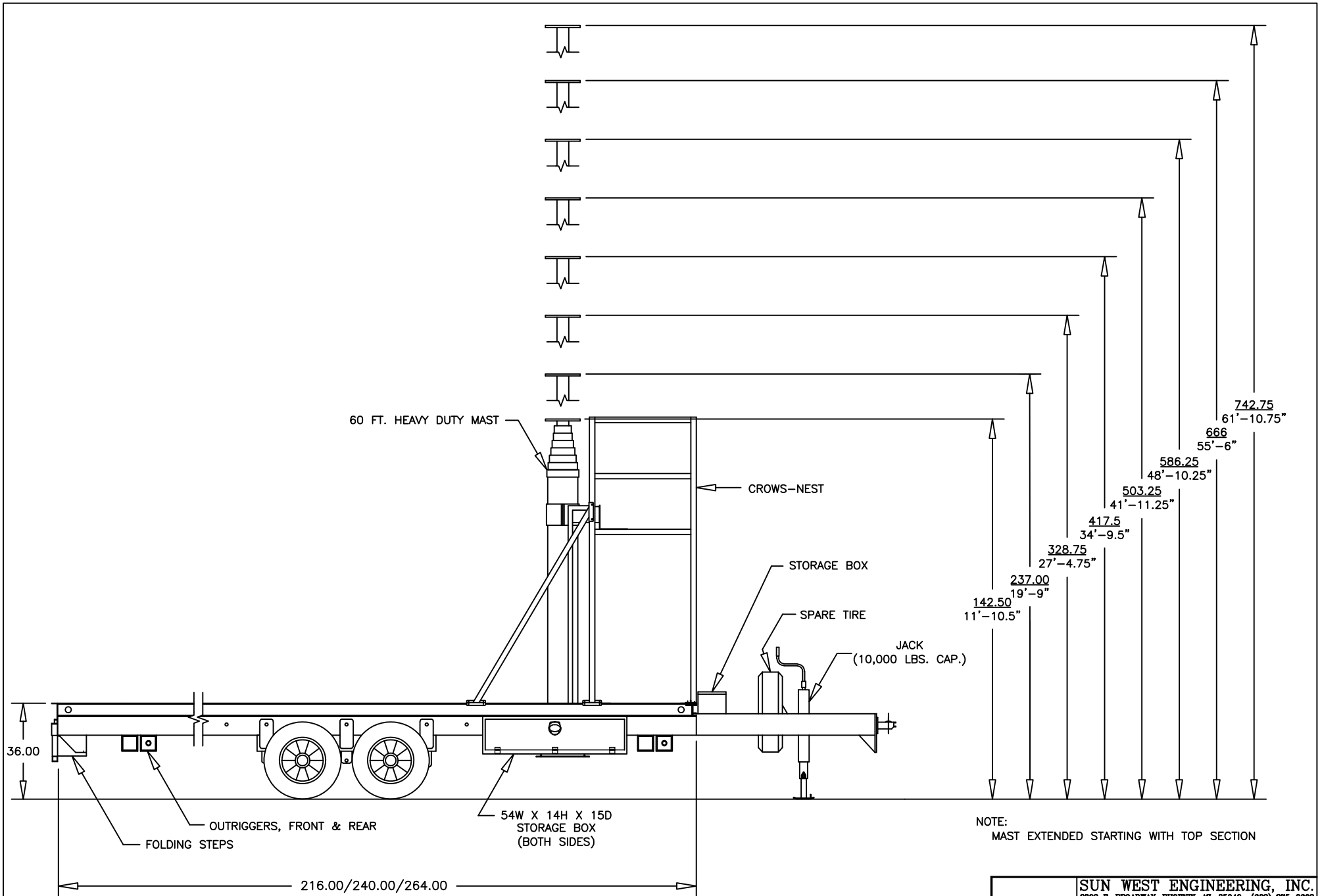
**\*\* PROPRIETARY AND CONFIDENTIAL \*\***

THIS DOCUMENT AND THE INFORMATION  
HEREIN IS THE SOLE PROPERTY OF  
SUN WEST ENGINEERING INC.

DUPLICATION OF THIS INFORMATION WITHOUT  
PRIOR CONSENT OF SUN WEST ENGINEERING  
IS FORBIDDEN.




<b>SUN WEST ENGINEERING, INC.</b> 3902 E. BROADWAY, PHOENIX, AZ 85040 (602) 275-0682	
TITLE: 18 FT./ 20 FT./ 22 FT. EQUIPMENT TRAILER	
CUSTOMER:	
PLOTTED SCALE: .XXXX=1	SHEET: 1 of 1
DRAWN BY: <i>NCH</i>	DATE DRAWN: 2-27-09
REVISED: 5-18-11	DWG. No. SW-3042R1

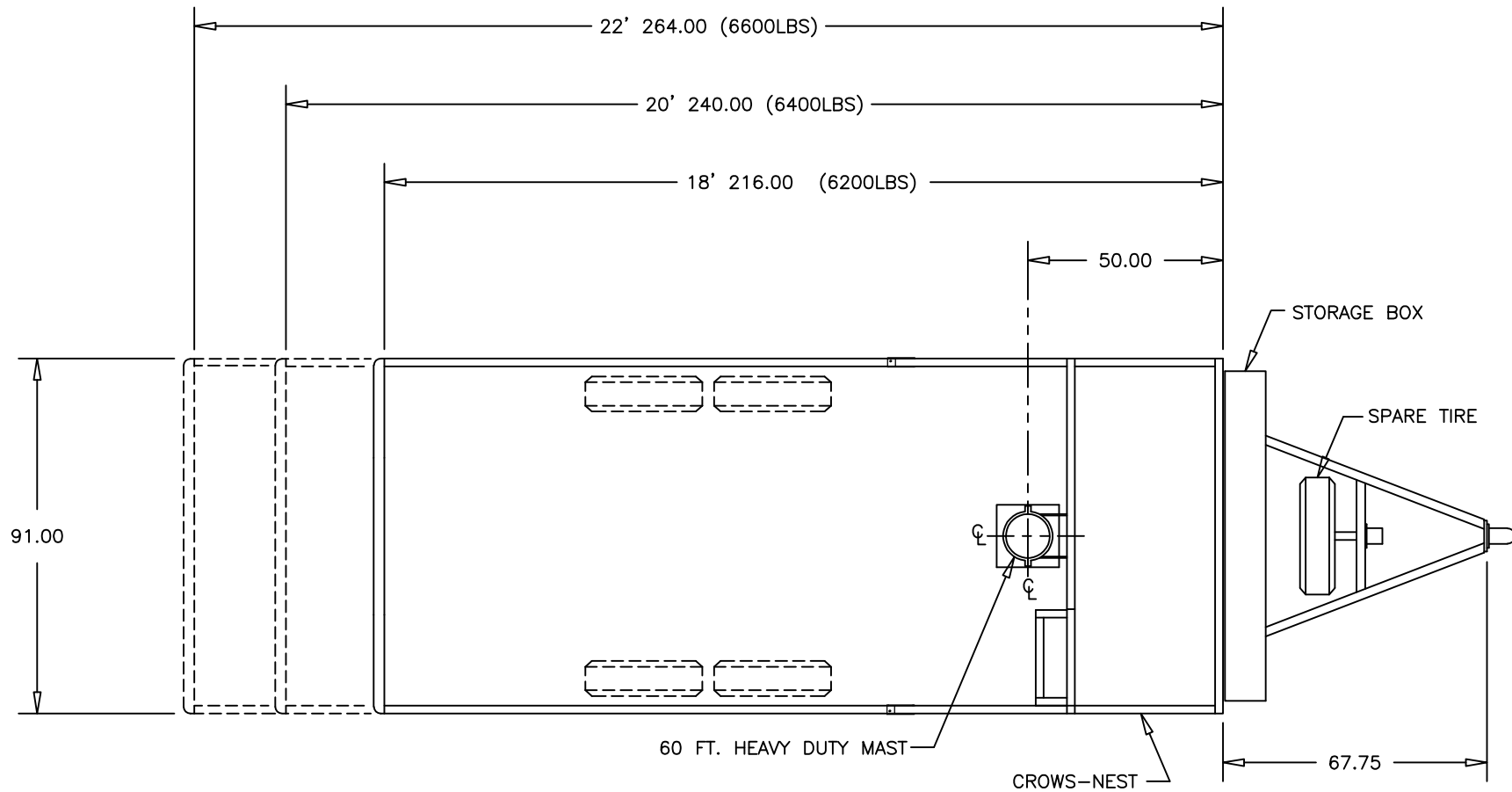


NOTE:  
MAST EXTENDED STARTING WITH TOP SECTION

**PROPRIETARY  
PROPOSAL**

**\*\* PROPRIETARY AND CONFIDENTIAL \*\***  
THIS DOCUMENT AND THE INFORMATION  
HEREIN IS THE SOLE PROPERTY OF  
SUN WEST ENGINEERING INC.  
DUPLICATION OF THIS INFORMATION WITHOUT  
PRIOR CONSENT OF SUN WEST ENGINEERING  
IS FORBIDDEN.

		<b>SUN WEST ENGINEERING, INC.</b> 3802 E. BROADWAY, PHOENIX, AZ. 85040 (602) 275-0662	
		TITLE: 18 FT./20 FT./22 FT. EQUIPMENT TRAILER	
CUSTOMER:			
PLOTTED SCALE: .XXXX=1	SHEET: 1 of 1		
DRAWN BY: <i>NCH</i>	DATE DRAWN: 2-20-09		
REVISED: 5-18-11	DWG. No. SW-3061		




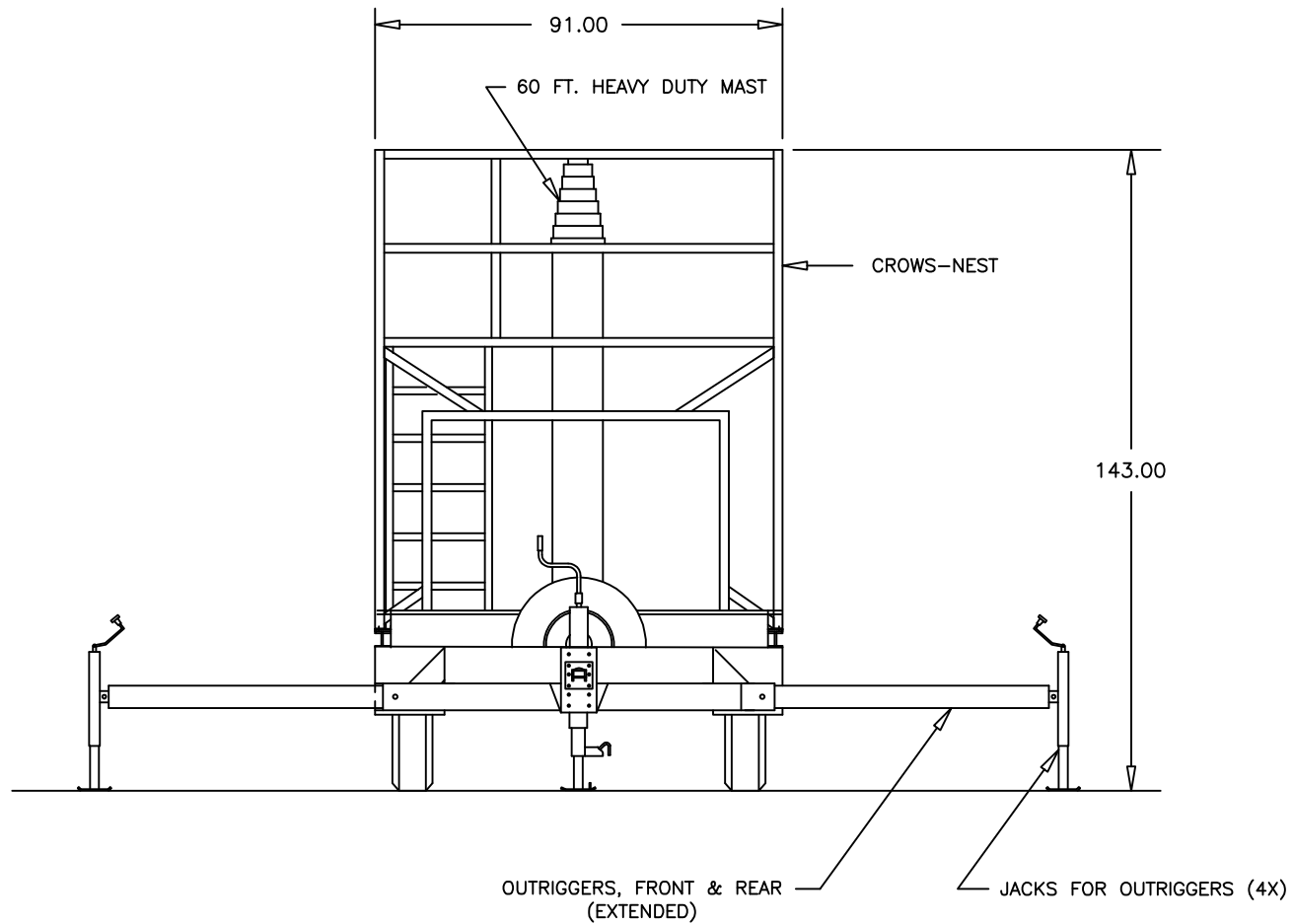
**PROPRIETARY  
PROPOSAL**

**\*\* PROPRIETARY AND CONFIDENTIAL \*\***

THIS DOCUMENT AND THE INFORMATION  
HEREIN IS THE SOLE PROPERTY OF  
SUN WEST ENGINEERING INC.

DUPLICATION OF THIS INFORMATION WITHOUT  
PRIOR CONSENT OF SUN WEST ENGINEERING  
IS FORBIDDEN.

		<b>SUN WEST ENGINEERING, INC.</b> 3802 E. BROADWAY, PHOENIX, AZ 85040 (602) 275-0682	
		TITLE: 18'/20'/22' EQUIPMENT TRAILER TOP VIEW	
CUSTOMER:			
PLOTTED SCALE: .XXXX=1	SHEET: 1 of 1		
DRAWN BY: <i>NCH</i>	DATE DRAWN: 2-27-09		
REVISED: 5-18-11	DWG. No. SW-3043R1		



**PROPRIETARY  
PROPOSAL**

**\*\* PROPRIETARY AND CONFIDENTIAL \*\***

THIS DOCUMENT AND THE INFORMATION  
HEREIN IS THE SOLE PROPERTY OF  
SUN WEST ENGINEERING INC.  
DUPLICATION OF THIS INFORMATION WITHOUT  
PRIOR CONSENT OF SUN WEST ENGINEERING  
IS FORBIDDEN.



**SUN WEST ENGINEERING, INC.**  
3802 E. BROADWAY, PHOENIX, AZ 85040 (602) 275-0602

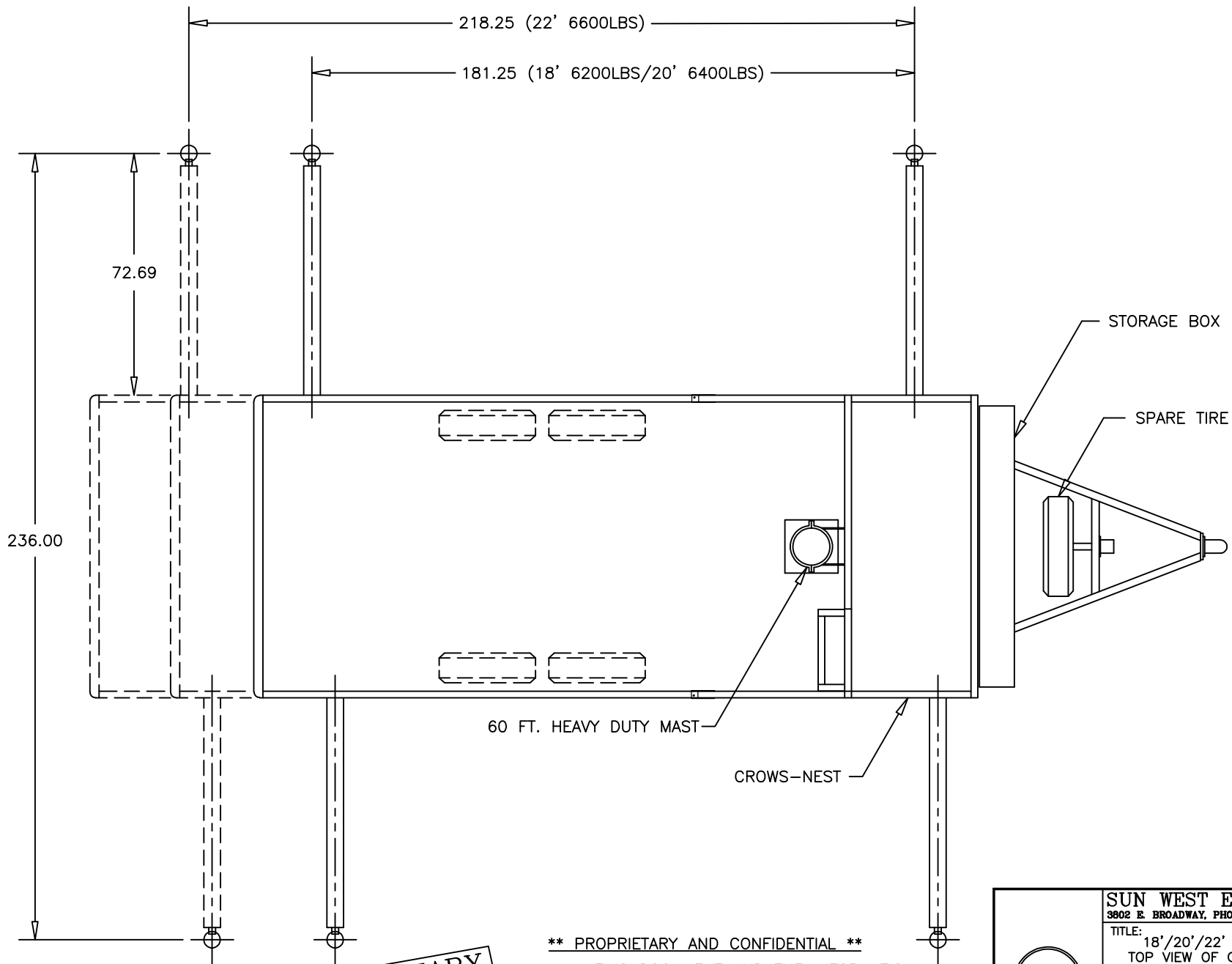
TITLE:  
TRAILER, FRONT VIEW

CUSTOMER:

PLOTTED SCALE: .XXXX=1 SHEET: 1 of 1

DRAWN BY: *NCH* DATE DRAWN: 2-20-09

REVISED: 5-18-11 DWG. No. SW-3062



**PROPRIETARY  
PROPOSAL**

**\*\* PROPRIETARY AND CONFIDENTIAL \*\***

THIS DOCUMENT AND THE INFORMATION  
HEREIN IS THE SOLE PROPERTY OF  
SUN WEST ENGINEERING INC.  
DUPLICATION OF THIS INFORMATION WITHOUT  
PRIOR CONSENT OF SUN WEST ENGINEERING  
IS FORBIDDEN.



<b>SUN WEST ENGINEERING, INC.</b> 3802 E. BROADWAY, PHOENIX, AZ 85040 (602) 275-0882	
TITLE: 18'/20'/22' EQUIPMENT TRAILER TOP VIEW OF OUTRIGGERS EXTENDED	
CUSTOMER:	
PLOTED SCALE: .XXXX=1	SHEET: 1 of 1
DRAWN BY: <i>NCH</i>	DATE DRAWN: 2-27-09
REVISED: 5-18-11	DWG. No. SW-3044R1