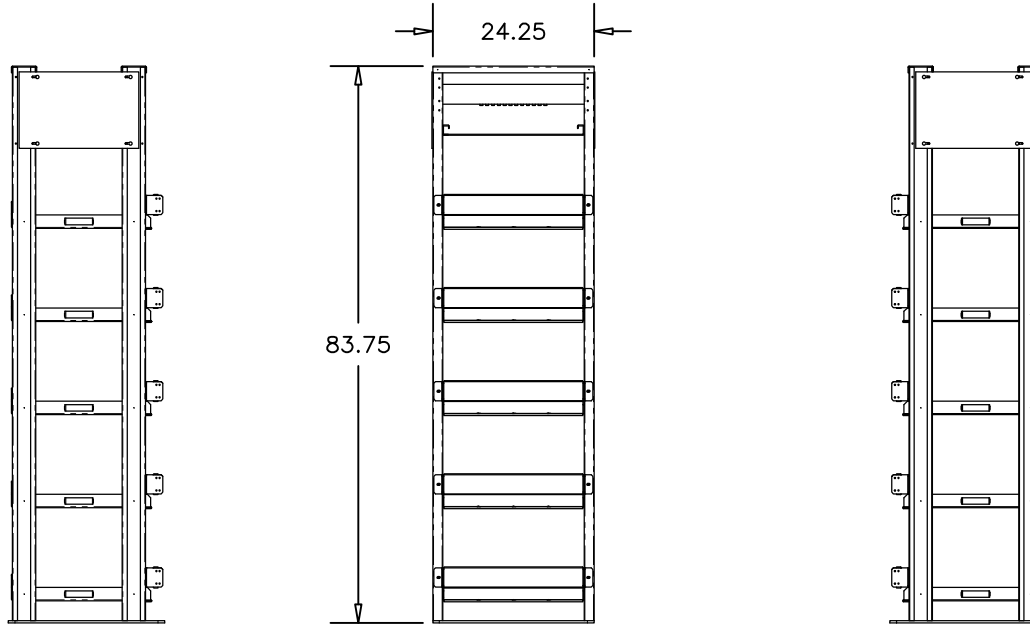


TOP VIEW



SIDE VIEW

FRONT VIEW

SIDE VIEW

**PROPRIETARY
PROPOSAL**

NOTES:
CABINET BUILT OF .134 THK CRS
WITH GREY COAT FINISH.

**** PROPRIETARY AND CONFIDENTIAL ****

THIS DOCUMENT AND THE INFORMATION
HEREIN IS THE SOLE PROPERTY OF
SUN WEST ENGINEERING INC.

DUPLICATION OF THIS INFORMATION WITHOUT
PRIOR CONSENT OF SUN WEST ENGINEERING
IS FORBIDDEN.



SUN WEST ENGINEERING, INC. 3602 E. BROADWAY, PHOENIX, AZ 85040 (602) 275-0662	
TITLE: Z2-4W-5H BATTERY RACK ZONE 2	
CUSTOMER:	
PLOTTED SCALE: .XXXX=1	SHEET: 1 of 1
DRAWN BY: <i>WV</i>	DATE DRAWN: 6-8-11
REVISED:	DWG. No. SW-3757