

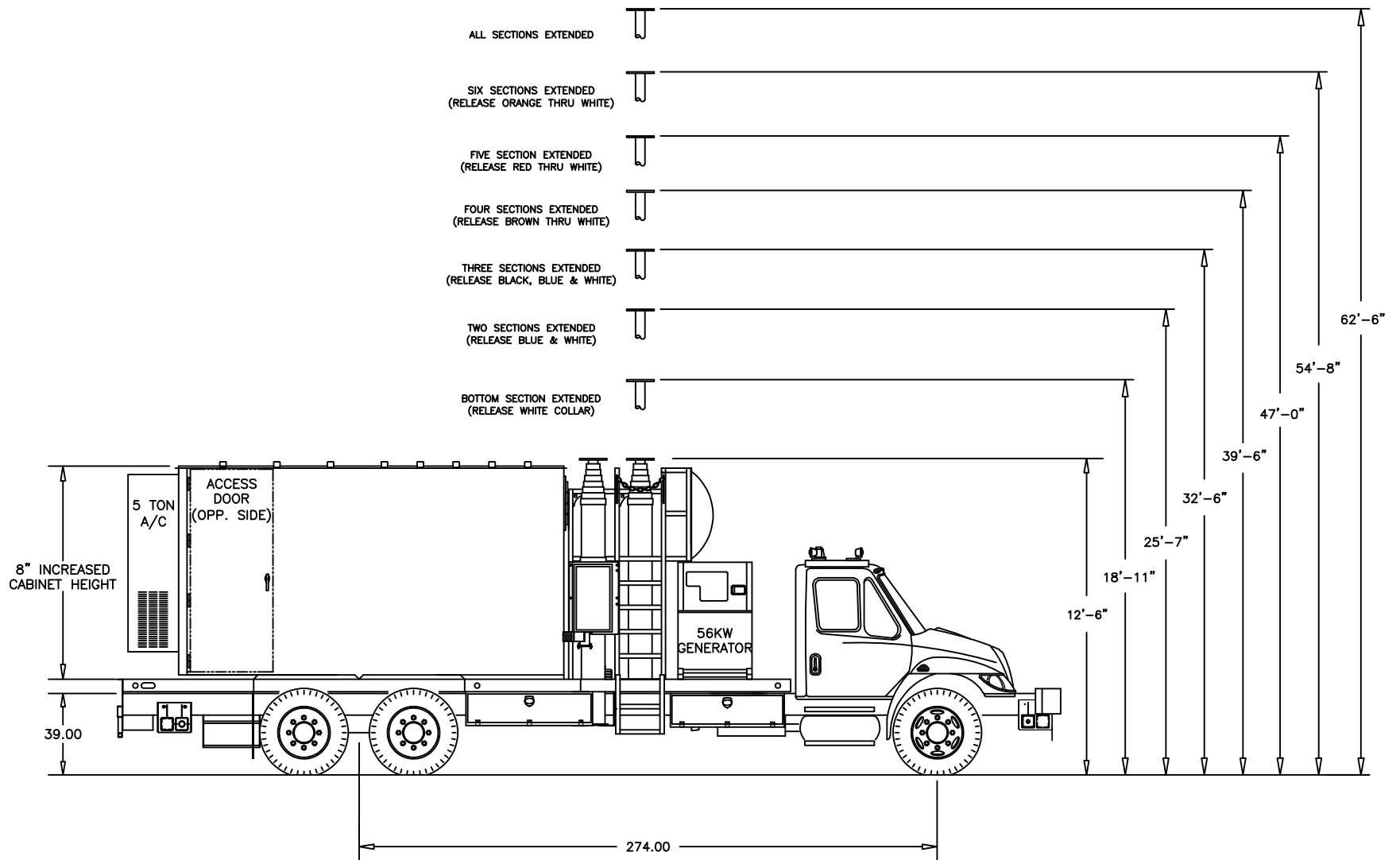
**PROPRIETARY
PROPOSAL**

**** PROPRIETARY AND CONFIDENTIAL ****

THIS DOCUMENT AND THE INFORMATION CONTAINED HEREIN ARE THE SOLE PROPERTY OF SUN WEST ENGINEERING, INC. DUPLICATION OF THIS INFORMATION WITHOUT PRIOR CONSENT OF SUN WEST ENGINEERING, INC. IS FORBIDDEN.



SUN WEST ENGINEERING, INC. 5902 E. BROADWAY, PHOENIX, AZ. 85040 (602) 275-0662	
TITLE: INTERNATIONAL (MODEL 7400) TRUCK "COW" W/ 7 BAY CABINET	
PLOTTED SCALE: .XXXX=1	SHEET: 1 of 1
DRAWN BY: <i>HW</i>	DATE DRAWN: 05-31-11
REVISED:	DWG. No. SW-2893R1-A



(60 FT. HD MAST)
 MAST EXTENDED WITH LARGEST DIAMETER TUBES POSSIBLE.

**PROPRIETARY
 PROPOSAL**

**** PROPRIETARY AND CONFIDENTIAL ****

THIS DOCUMENT AND THE INFORMATION
 CONTAINED HEREIN ARE THE SOLE PROPERTY
 OF SUN WEST ENGINEERING, INC.
 DUPLICATION OF THIS INFORMATION WITHOUT
 PRIOR CONSENT OF SUN WEST ENGINEERING, INC.
 IS FORBIDDEN.



SUN WEST ENGINEERING, INC. 9802 E BROADWAY, PHOENIX, AZ 85040 (602) 276-0682	
TITLE: TRUCK COW 60' MAST DEPLOYING DIMENSIONS	
PLOTED SCALE: .XXXX=1	SHEET: 1 of 1
DRAWN BY: <i>SW</i>	DATE DRAWN: 5-31-11
REVISED:	DWG. No. SW-3747