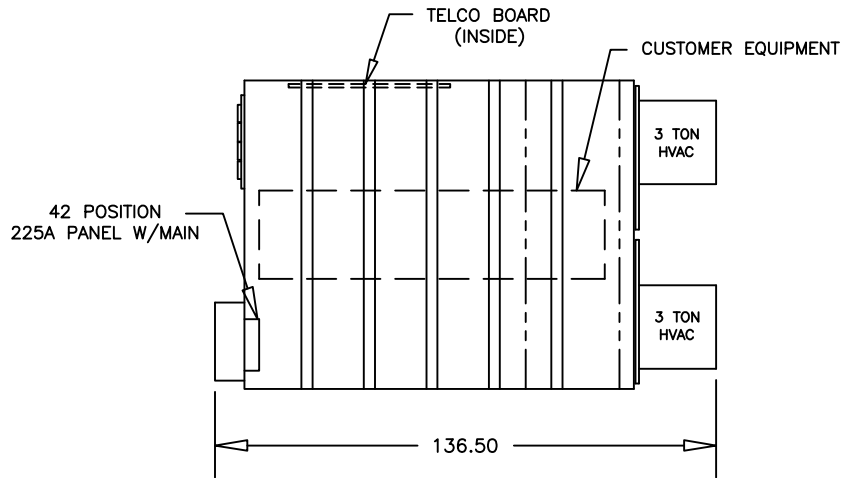


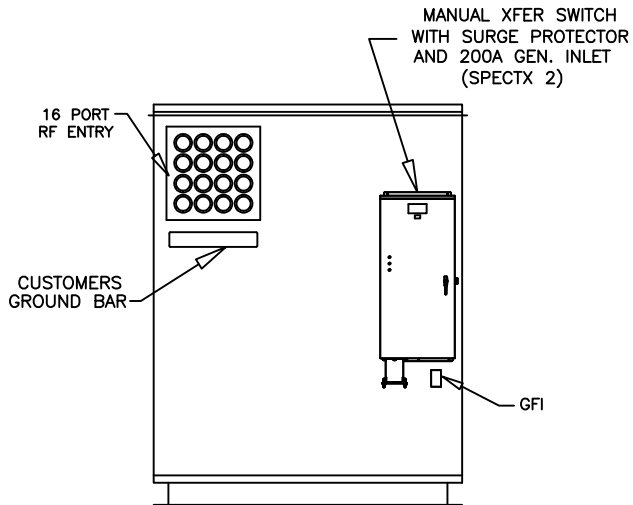
SITE: _____



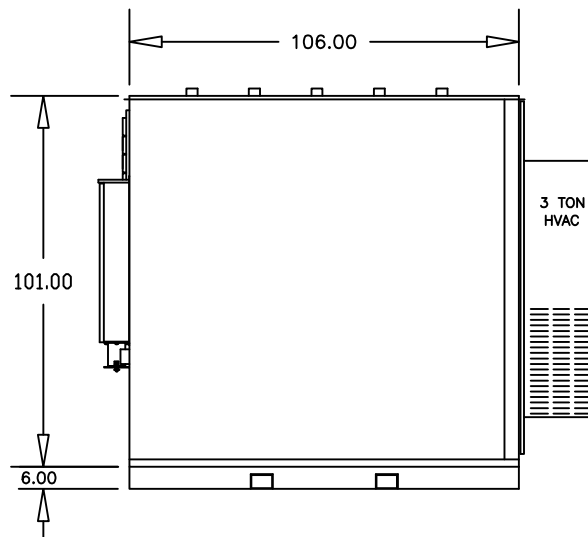
TYPE-3R



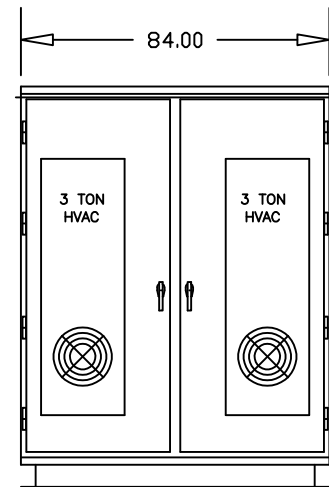
TOP VIEW



END VIEW



SIDE VIEW



END VIEW

NOTES:

CABINET BUILT OF .190THK ALUMINUM TO TYPE 4 SPECS.,
UL LISTED TYPE -3R.

SHIPPING WT.: 3900 LBS. INCLUDING FRAME AND A/C UNITS.
WEIGHT DOES NOT INCLUDE CUSTOMER EQUIPMENT.


**PROPRIETARY
PROPOSAL**

**** PROPRIETARY AND CONFIDENTIAL ****

THIS DOCUMENT AND THE INFORMATION
HEREIN IS THE SOLE PROPERTY OF
SUN WEST ENGINEERING, INC.
DUPLICATION OF THIS INFORMATION WITHOUT
PRIOR CONSENT OF SUN WEST ENGINEERING
IS FORBIDDEN.



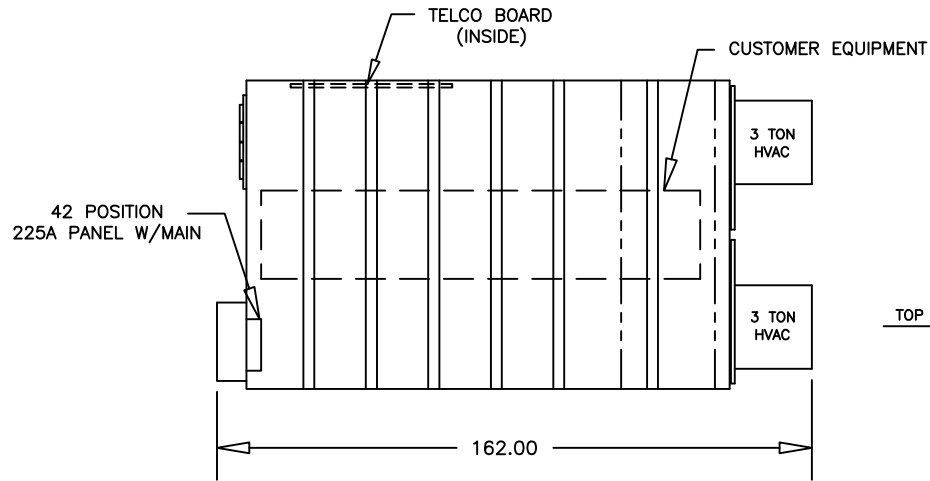
MODEL SWE-G-4B-3T

		SUN WEST ENGINEERING, INC. 3802 E BROADWAY, PHOENIX, AZ 85040 (602) 276-0662	
		TITLE: EQUIPMENT CABINET	
CUSTOMER:			
PLOTTED SCALE: .XXXX=1	SHEET: 1 of 1		
DRAWN BY: <i>SW</i>	DATE DRAWN: 6-16-11		
REVISED:	DWG. No. SW-3792		

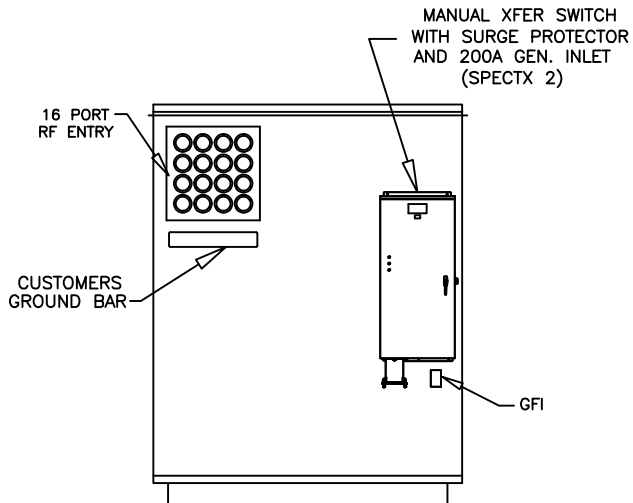


TYPE-3R

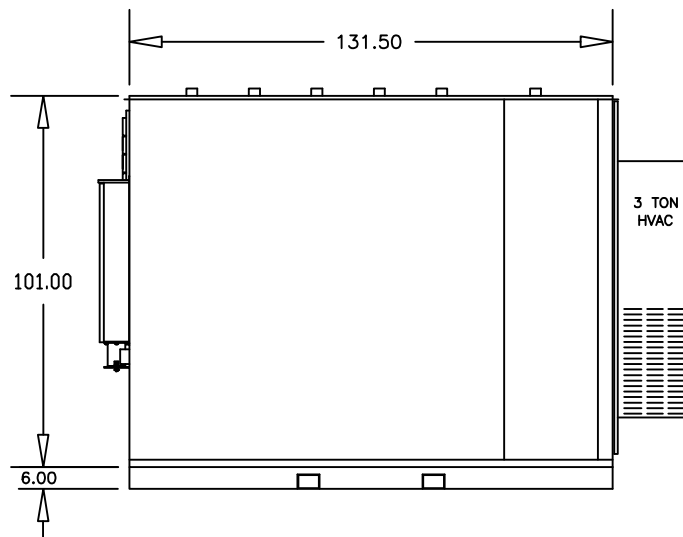
SITE: _____



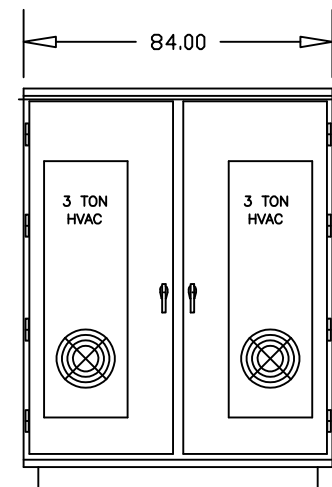
TOP VIEW



END VIEW



SIDE VIEW



END VIEW

NOTES:

CABINET BUILT OF .190THK ALUMINUM TO TYPE 4 SPECS.,
UL LISTED TYPE -3R.

SHIPPING WT.: 4400 LBS. INCLUDING FRAME AND A/C UNITS.
WEIGHT DOES NOT INCLUDE CUSTOMER EQUIPMENT.

**PROPRIETARY
PROPOSAL**

**** PROPRIETARY AND CONFIDENTIAL ****

THIS DOCUMENT AND THE INFORMATION
HEREIN IS THE SOLE PROPERTY OF
SUN WEST ENGINEERING, INC.
DUPLICATION OF THIS INFORMATION WITHOUT
PRIOR CONSENT OF SUN WEST ENGINEERING
IS FORBIDDEN.



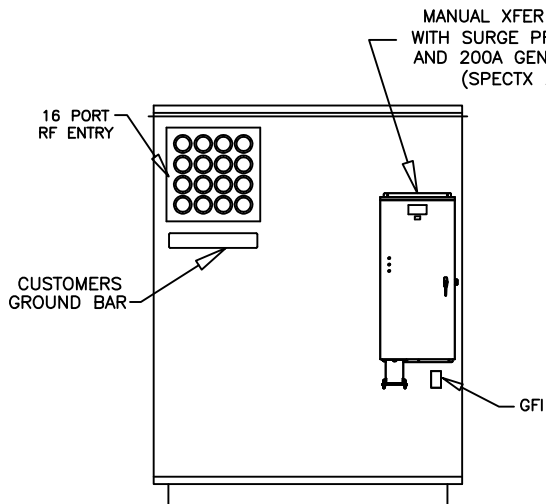
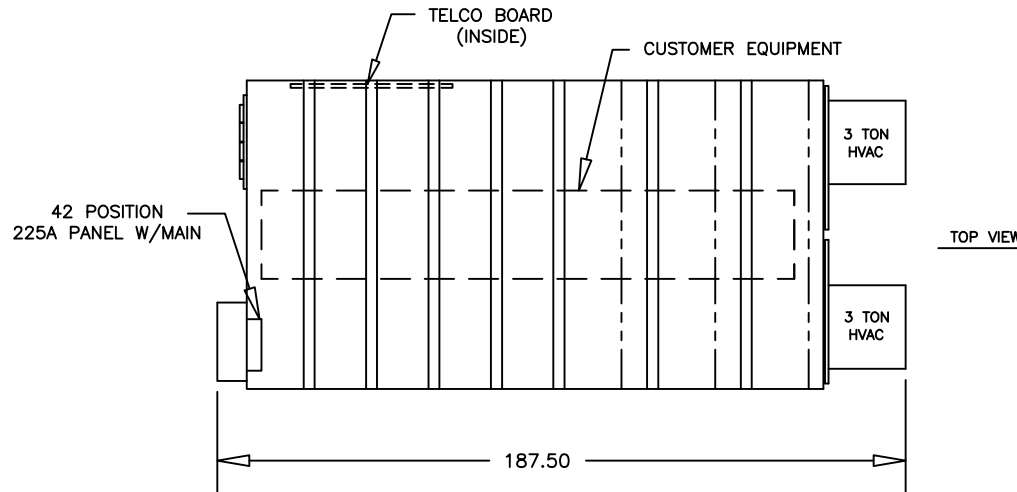
MODEL SWE-G-5B-3T

		SUN WEST ENGINEERING, INC.	
		8802 E BROADWAY, PHOENIX, AZ 85040 (602) 276-0662	
TITLE:		EQUIPMENT CABINET	
CUSTOMER:			
PLOTTED SCALE: .XXXX=1	SHEET: 1 of 1		
DRAWN BY: <i>WV</i>	DATE DRAWN: 6-16-11		
REVISED:	DWG. No. SW-3793		

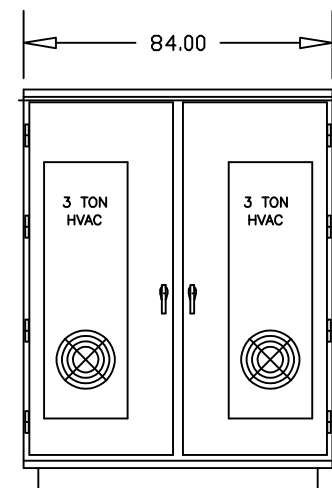
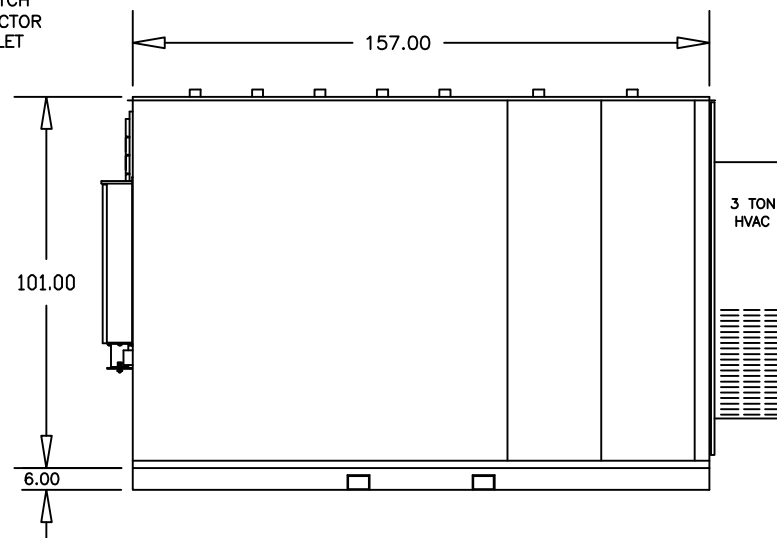


TYPE-3R

SITE: _____



END VIEW



NOTES:
 CABINET BUILT OF .190THK ALUMINUM TO TYPE 4 SPECS.,
 UL LISTED TYPE -3R.

SHIPPING WT.: 4900 LBS. INCLUDING FRAME AND A/C UNITS.
 WEIGHT DOES NOT INCLUDE CUSTOMER EQUIPMENT.

**PROPRIETARY
 PROPOSAL**

**** PROPRIETARY AND CONFIDENTIAL ****
 THIS DOCUMENT AND THE INFORMATION
 HEREIN IS THE SOLE PROPERTY OF
 SUN WEST ENGINEERING, INC.
 DUPLICATION OF THIS INFORMATION WITHOUT
 PRIOR CONSENT OF SUN WEST ENGINEERING
 IS FORBIDDEN.



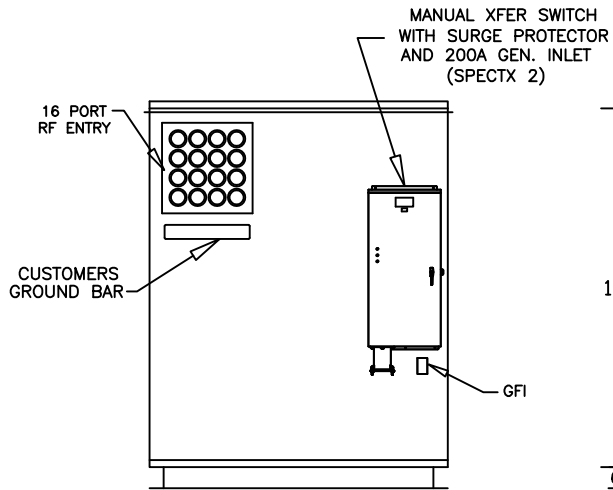
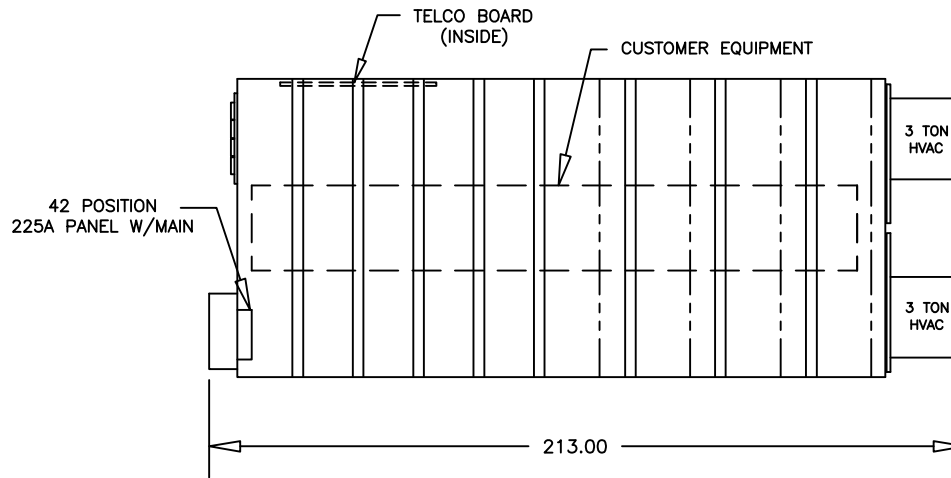
MODEL SWE-G-6B-3T

		SUN WEST ENGINEERING, INC. 8802 E BROADWAY, PHOENIX, AZ 85040 (602) 276-0662	
		TITLE: EQUIPMENT CABINET	
CUSTOMER:		PLOTTED SCALE: .XXXX=1	
DRAWN BY: <i>SW</i>		SHEET: 1 of 1	
REVISED:		DATE DRAWN: 6-16-11	
		DWG. No. SW-3794	

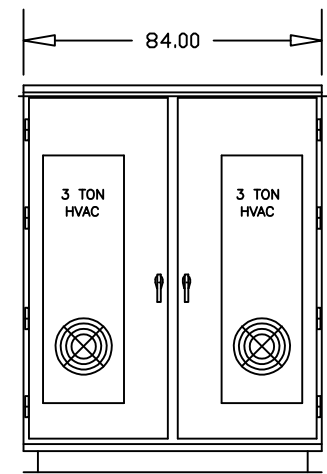
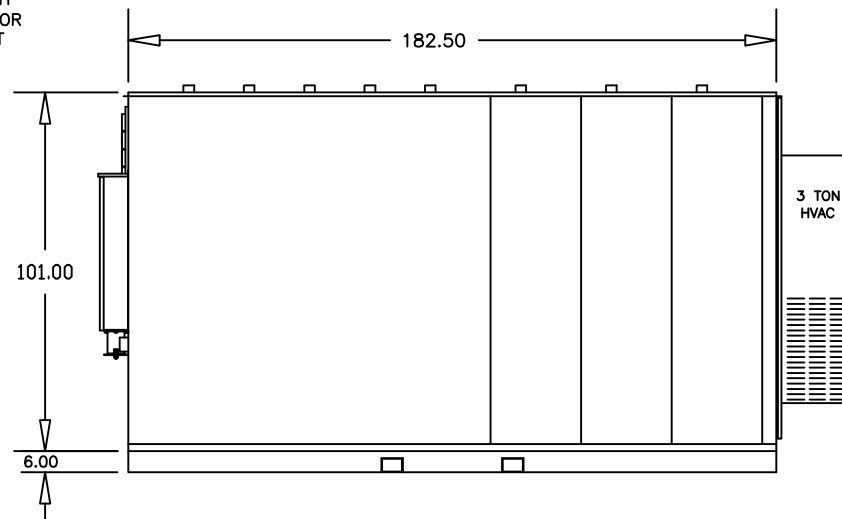


TYPE-3R

SITE: _____



END VIEW



NOTES:
 CABINET BUILT OF .190THK ALUMINUM TO TYPE 4 SPECS.,
 UL LISTED TYPE -3R.
 SHIPPING WT.: 5500 LBS. INCLUDING FRAME AND A/C UNITS.
 WEIGHT DOES NOT INCLUDE CUSTOMER EQUIPMENT.

PROPRIETARY PROPOSAL

** PROPRIETARY AND CONFIDENTIAL **

THIS DOCUMENT AND THE INFORMATION
 HEREIN IS THE SOLE PROPERTY OF
 SUN WEST ENGINEERING INC.
 DUPLICATION OF THIS INFORMATION WITHOUT
 PRIOR CONSENT OF SUN WEST ENGINEERING
 IS FORBIDDEN.



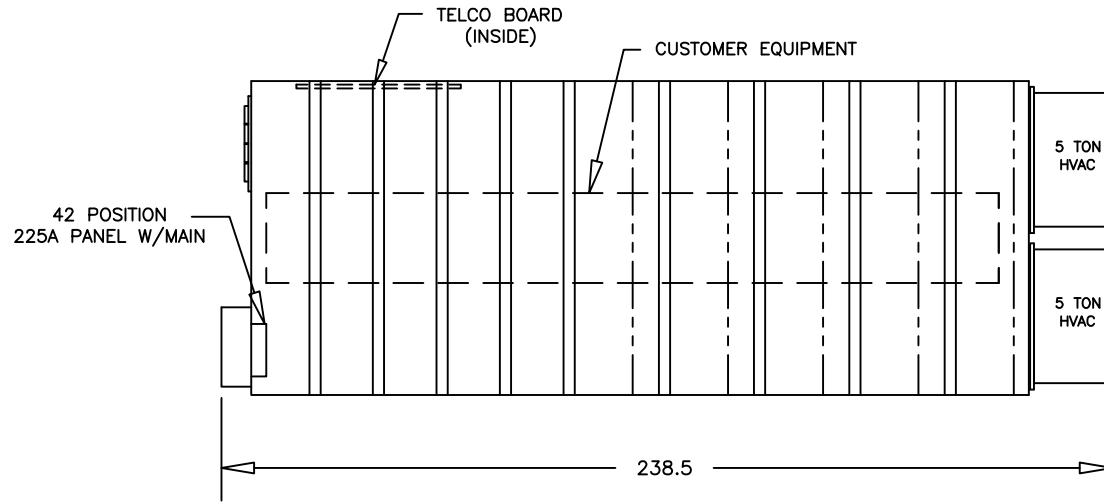
MODEL SWE-G-7B-3T

		SUN WEST ENGINEERING, INC.	
		8802 E BROADWAY, PHOENIX, AZ 85040 (602) 276-0662	
TITLE:		EQUIPMENT CABINET	
CUSTOMER:			
PLOTTED SCALE: .XXXX=1	SHEET: 1 of 1		
DRAWN BY: <i>SW</i>	DATE DRAWN: 6-16-11		
REVISED:	DWG. No. SW-3795		

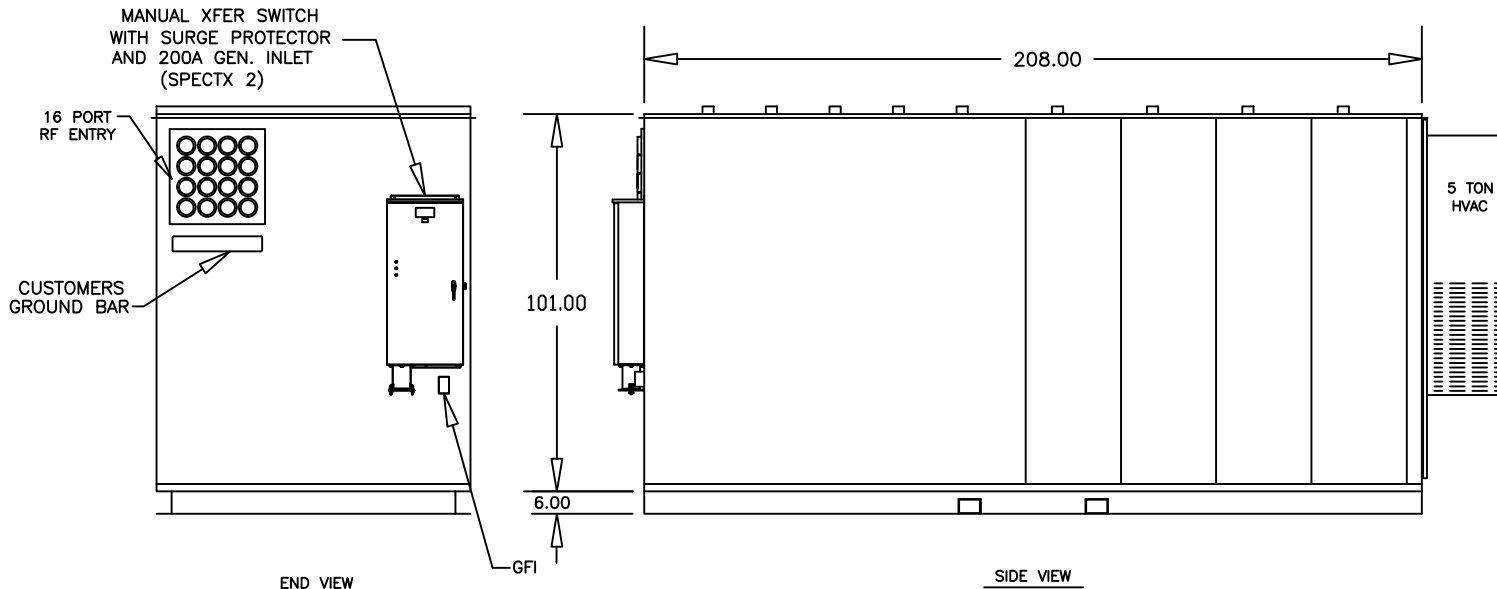


TYPE-3R

SITE: _____



TOP VIEW



NOTES:
 CABINET BUILT OF .190THK ALUMINUM TO TYPE 4 SPECS.,
 UL LISTED TYPE -3R.
 SHIPPING WT.: 6200 LBS. INCLUDING FRAME AND A/C UNITS.
 WEIGHT DOES NOT INCLUDE CUSTOMER EQUIPMENT.

PROPRIETARY PROPOSAL

**** PROPRIETARY AND CONFIDENTIAL ****
 THIS DOCUMENT AND THE INFORMATION
 HEREIN IS THE SOLE PROPERTY OF
 SUN WEST ENGINEERING INC.
 DUPLICATION OF THIS INFORMATION WITHOUT
 PRIOR CONSENT OF SUN WEST ENGINEERING
 IS FORBIDDEN.



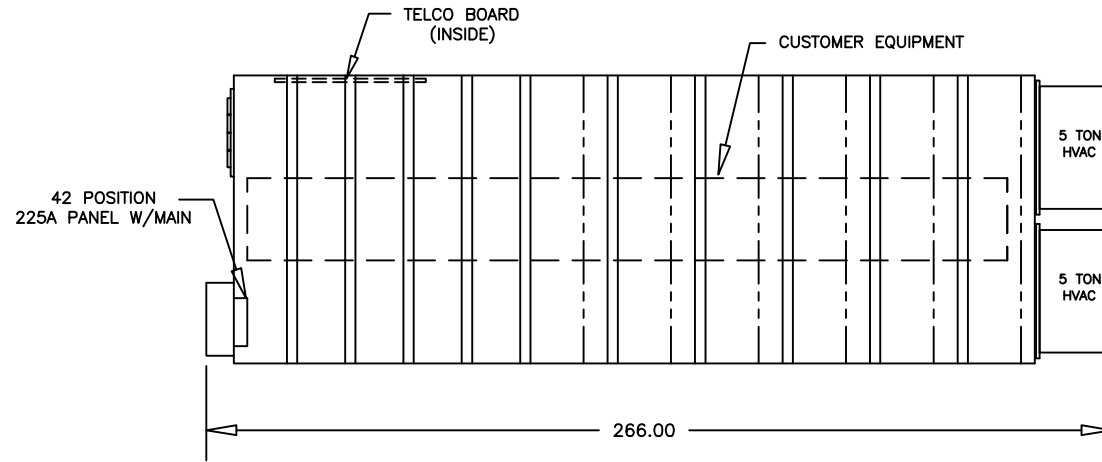
MODEL SWE-G-8B-5T

SUN WEST ENGINEERING, INC. 3802 E BROADWAY, PHOENIX, AZ 85040 (602) 276-0662	
TITLE: EQUIPMENT CABINET	
CUSTOMER:	
PLOTTED SCALE: .XXXX=1	SHEET: 1 of 1
DRAWN BY: <i>WV</i>	DATE DRAWN: 6-16-11
REVISED:	DWG. No. SW-3796

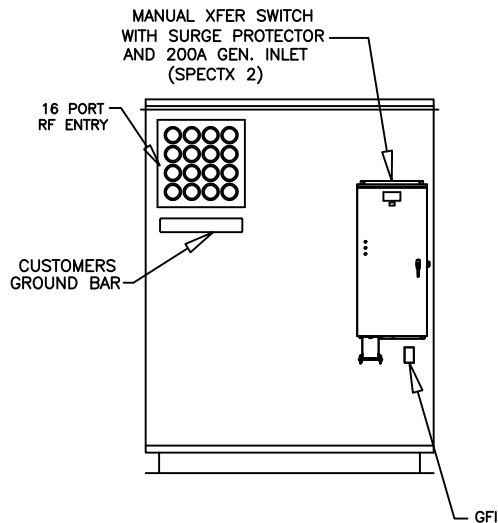


TYPE-3R

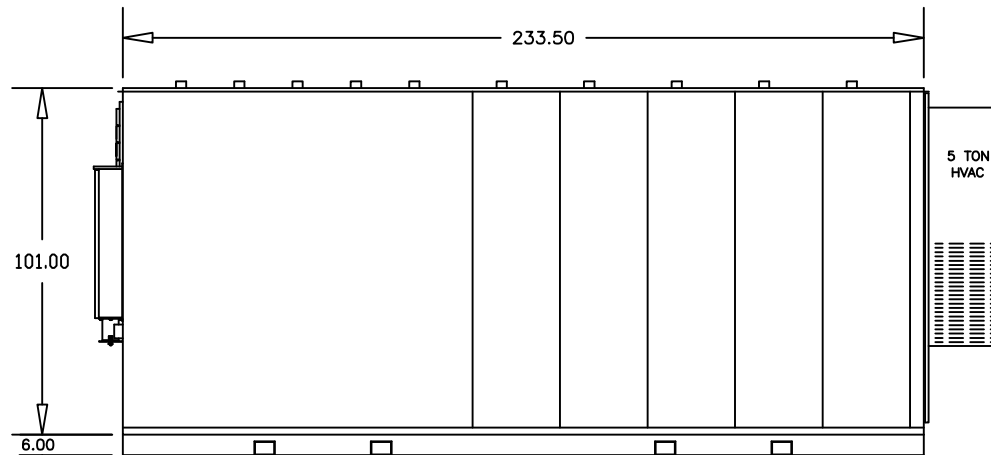
SITE: _____



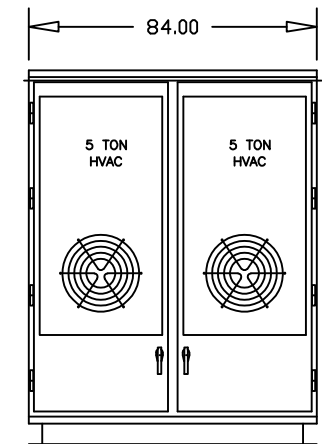
TOP VIEW



END VIEW



SIDE VIEW



END VIEW

PROPRIETARY PROPOSAL

**** PROPRIETARY AND CONFIDENTIAL ****

THIS DOCUMENT AND THE INFORMATION HEREIN IS THE SOLE PROPERTY OF SUN WEST ENGINEERING INC. DUPLICATION OF THIS INFORMATION WITHOUT PRIOR CONSENT OF SUN WEST ENGINEERING IS FORBIDDEN.

MODEL SWE-G-9B-5T

SUN WEST ENGINEERING, INC.
3802 E BROADWAY, PHOENIX, AZ 85040 (602) 276-0662

TITLE:
EQUIPMENT CABINET

CUSTOMER:

PLOTTED SCALE: .XXXX=1 SHEET: 1 of 1

DRAWN BY: *SW* DATE DRAWN: 6-16-11

REVISED: DWG. No. SW-3797

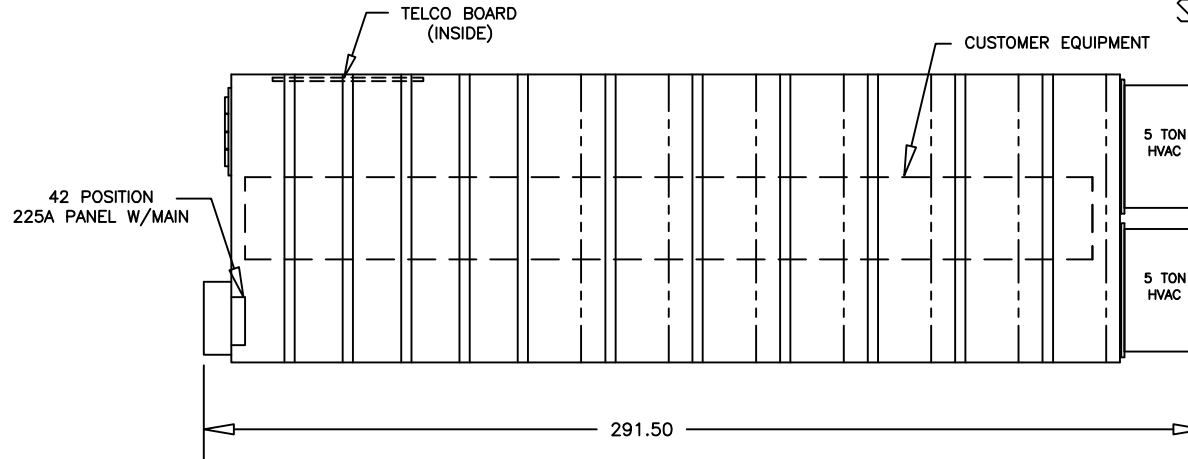


NOTES:
CABINET BUILT OF .190THK ALUMINUM TO TYPE 4 SPECS.,
UL LISTED TYPE -3R.
SHIPPING WT.: 6700 LBS. INCLUDING FRAME AND A/C UNITS.
WEIGHT DOES NOT INCLUDE CUSTOMER EQUIPMENT.

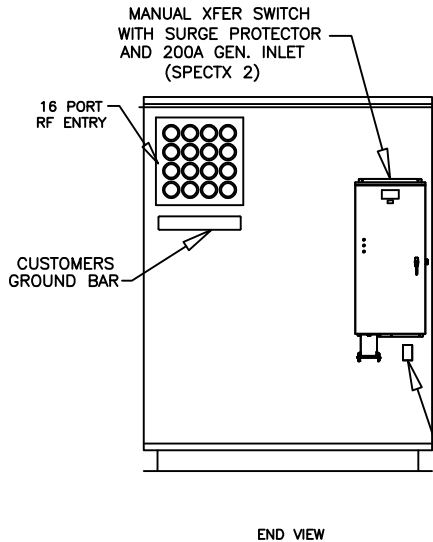


TYPE-3R

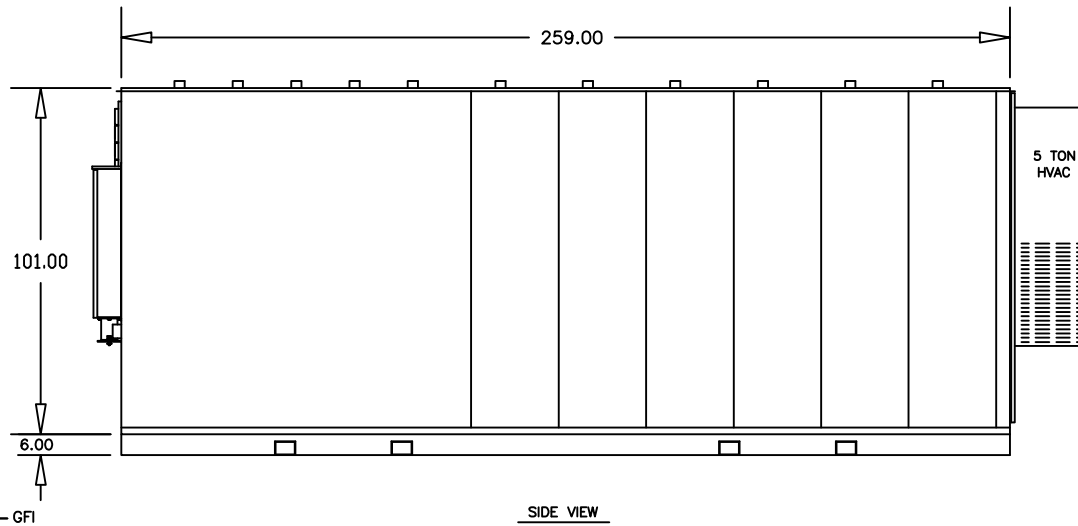
SITE: _____



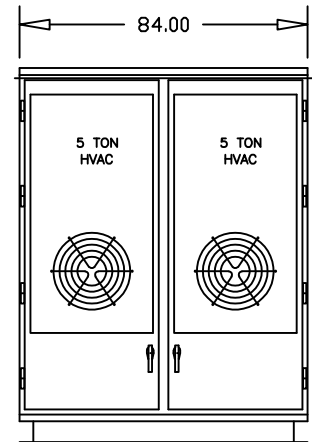
TOP VIEW



END VIEW



SIDE VIEW



END VIEW

PROPRIETARY PROPOSAL

**** PROPRIETARY AND CONFIDENTIAL ****

THIS DOCUMENT AND THE INFORMATION HEREIN IS THE SOLE PROPERTY OF SUN WEST ENGINEERING INC. DUPLICATION OF THIS INFORMATION WITHOUT PRIOR CONSENT OF SUN WEST ENGINEERING IS FORBIDDEN.



NOTES:
CABINET BUILT OF .190THK ALUMINUM TO TYPE 4 SPECS., UL LISTED TYPE -3R.
SHIPPING WT.: 7200 LBS. INCLUDING FRAME AND A/C UNITS. WEIGHT DOES NOT INCLUDE CUSTOMER EQUIPMENT.

MODEL SWE-G-10B-5T



SUN WEST ENGINEERING, INC. 8802 E BROADWAY, PHOENIX, AZ 85040 (602) 276-0662	
TITLE: EQUIPMENT CABINET	
CUSTOMER:	
PLOTTED SCALE: .XXXX=1	SHEET: 1 of 1
DRAWN BY: <i>SW</i>	DATE DRAWN: 6-16-11
REVISED:	DWG. No. SW-3798