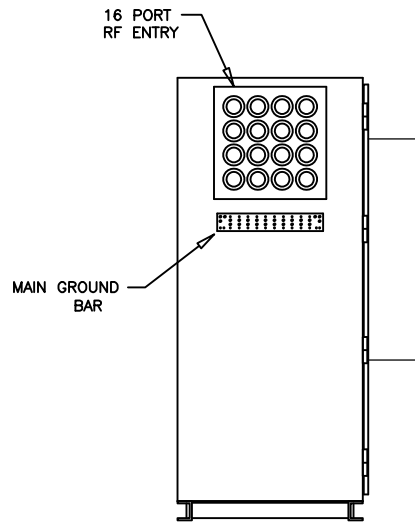
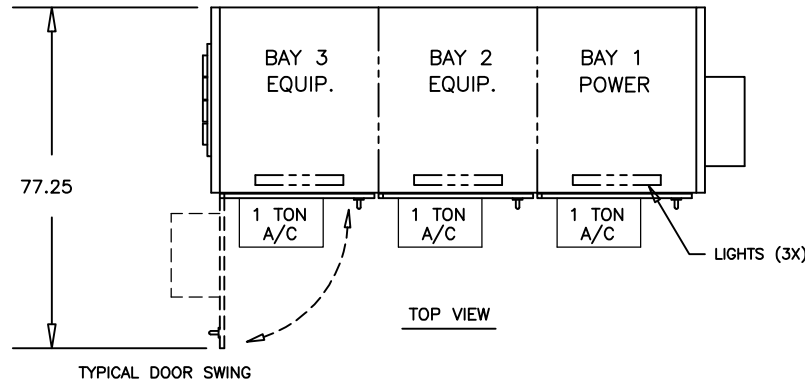
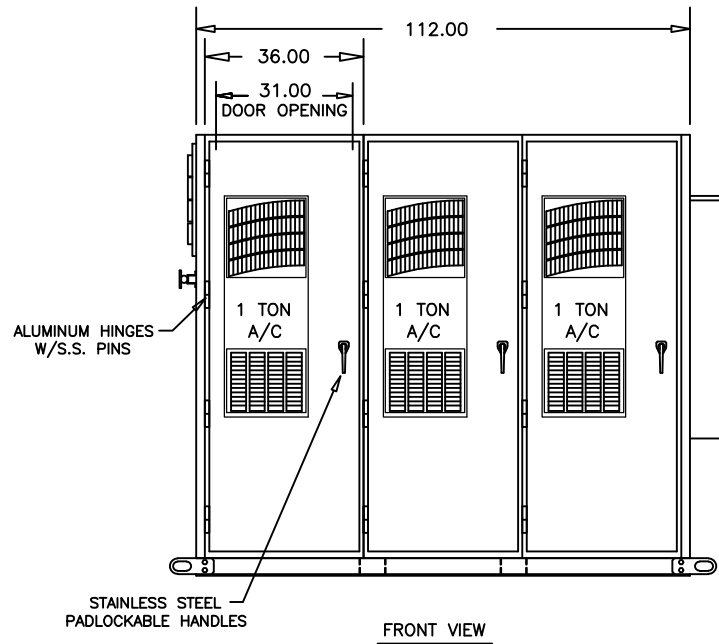


APPROVED BY: _____ DATE: _____

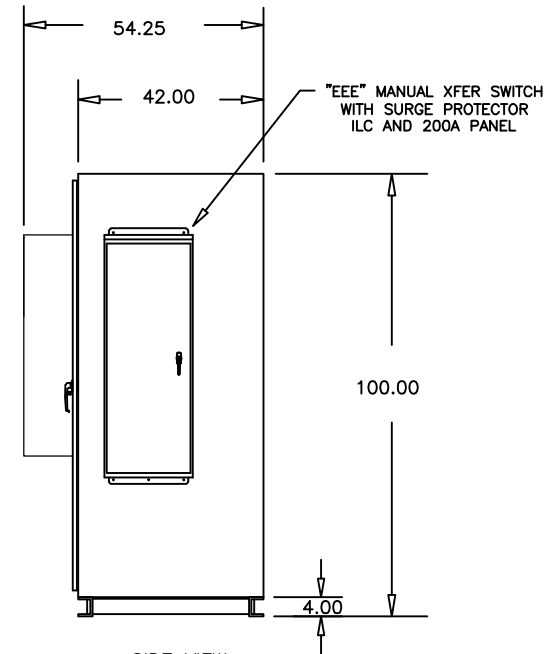
SITE: _____



SIDE VIEW



FRONT VIEW



SIDE VIEW

MODEL: CUS-F-3B-(1T)

NOTES:

1. CABINET BUILT TO NEMA 4 SPECS. (RATED 3R) FROM .190 THICK ALUMINUM. POWDERCOATED WHITE.
2. CABINET WEIGHT: 2000 LBS. (NOT INCLUDING CUSTOMERS EQUIPMENT.)

PROPRIETARY PROPOSAL

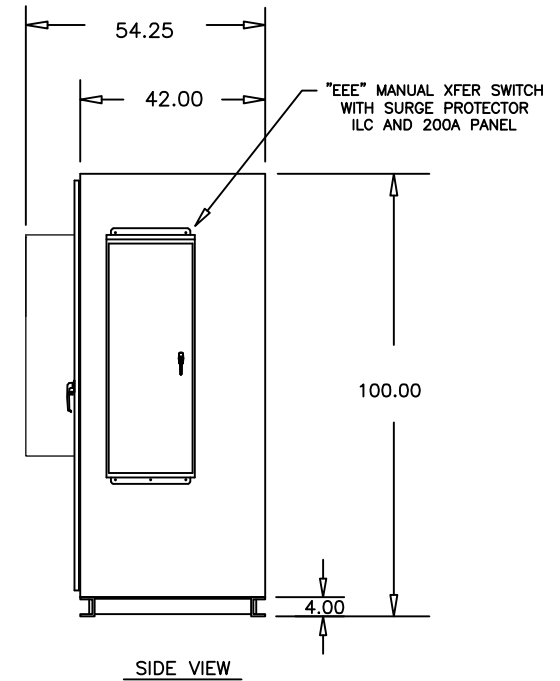
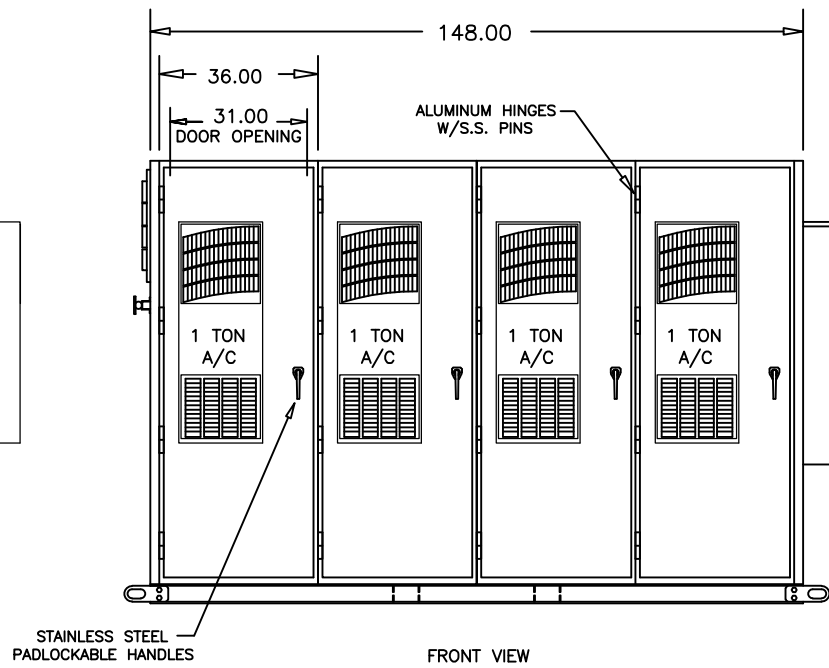
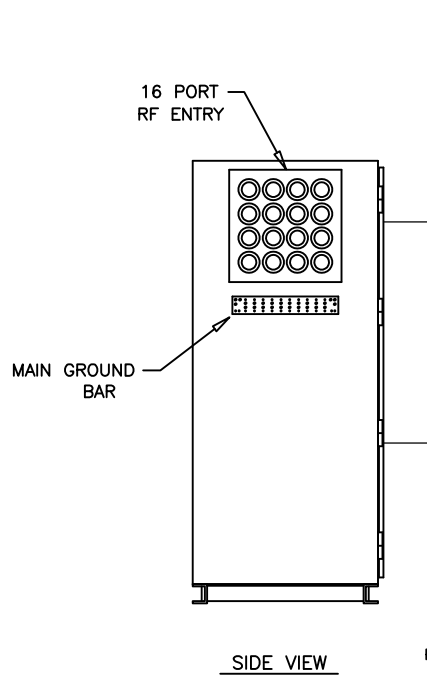
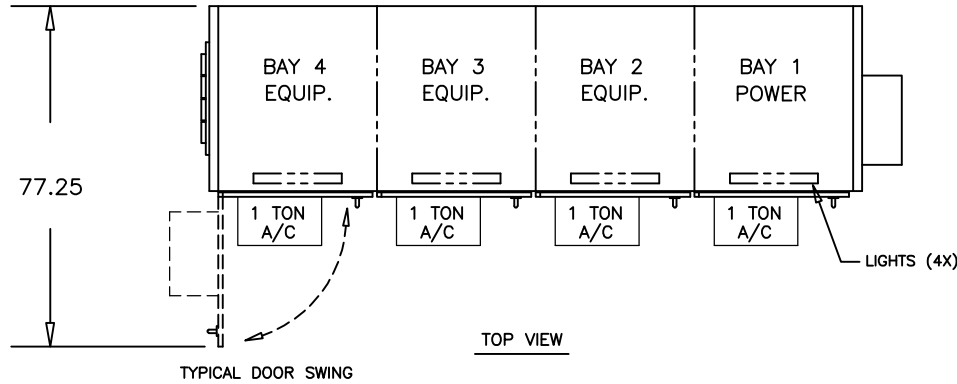
**** PROPRIETARY AND CONFIDENTIAL ****
 THIS DOCUMENT AND THE INFORMATION HEREIN IS THE SOLE PROPERTY OF SUN WEST ENGINEERING, INC. DUPLICATION OF THIS INFORMATION WITHOUT PRIOR CONSENT OF SUN WEST ENGINEERING IS FORBIDDEN.



| | |
|--|---------------------|
| SUN WEST ENGINEERING, INC. 3802 E. BROADWAY, PHOENIX, AZ. 85040 (602) 275-0662 | |
| TITLE: 3 BAY ALUMINUM EQUIPMENT CABINET | |
| CUSTOMER: | |
| PLOTED SCALE: .XXXX=1 | SHEET: 1 of 1 |
| DRAWN BY: <i>WV</i> | DATE DRAWN: 6-14-11 |
| REVISED: | DWG. No. SW-3782 |

APPROVED BY: _____ DATE: _____

SITE: _____



NOTES:

1. CABINET BUILT TO NEMA 4 SPECS. (RATED 3R) FROM .190 THICK ALUMINUM. POWDERCOATED WHITE.
2. CABINET WEIGHT: 2600 LBS. (NOT INCLUDING CUSTOMERS EQUIPMENT.)

PROPRIETARY PROPOSAL

**** PROPRIETARY AND CONFIDENTIAL ****
 THIS DOCUMENT AND THE INFORMATION HEREIN IS THE SOLE PROPERTY OF SUN WEST ENGINEERING INC. DUPLICATION OF THIS INFORMATION WITHOUT PRIOR CONSENT OF SUN WEST ENGINEERING IS FORBIDDEN.



MODEL: CUS-F-4B-(1T)

SUN WEST ENGINEERING, INC.
 3802 E. BROADWAY, PHOENIX, AZ. 85040 (602) 275-0862

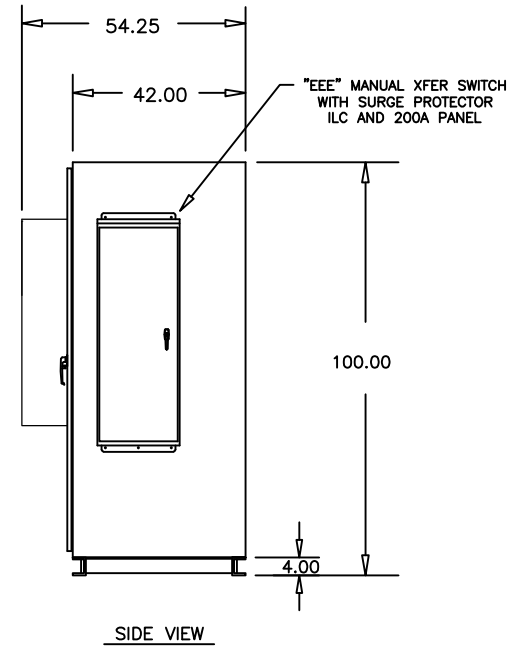
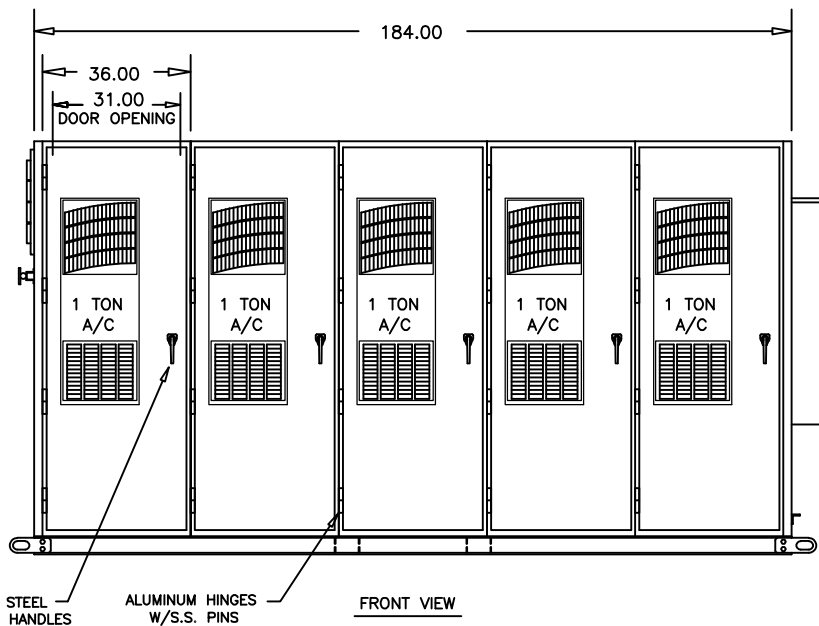
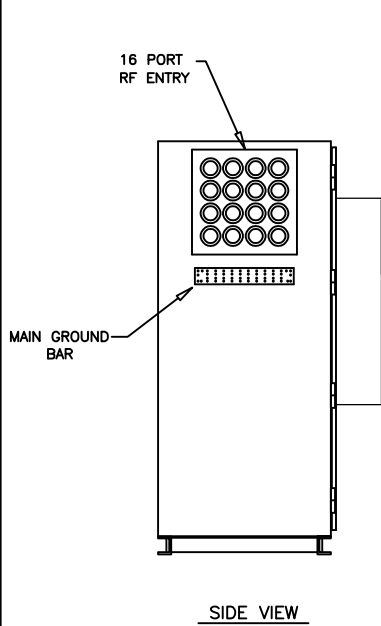
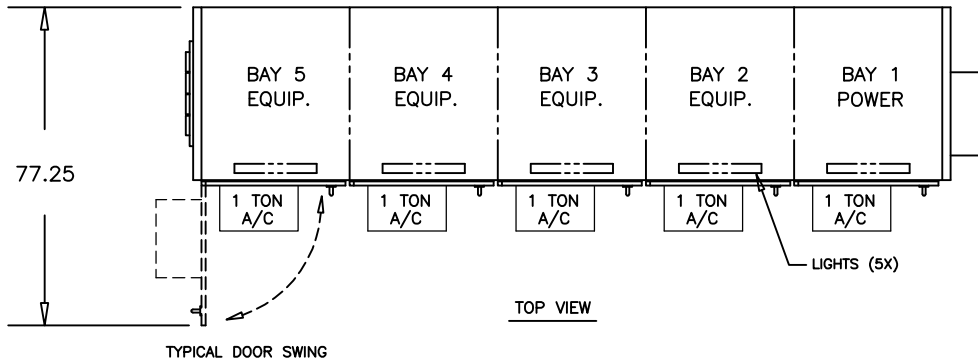
TITLE:
 4 BAY ALUMINUM EQUIPMENT CABINET

| | |
|-----------------------|---------------------|
| CUSTOMER: | |
| PLOTED SCALE: .XXXX=1 | SHEET: 1 of 1 |
| DRAWN BY: <i>WV</i> | DATE DRAWN: 6-14-11 |
| REVISED: | DWG. No. SW-3783 |



APPROVED BY: _____ DATE: _____

SITE: _____



NOTES:

1. CABINET BUILT TO NEMA 4 SPECS. (RATED 3R) FROM .190 THICK ALUMINUM. POWDERCOATED WHITE.
2. CABINET WEIGHT: 3100 LBS. (NOT INCLUDING CUSTOMERS EQUIPMENT.)

PROPRIETARY PROPOSAL

**** PROPRIETARY AND CONFIDENTIAL ****

THIS DOCUMENT AND THE INFORMATION HEREIN IS THE SOLE PROPERTY OF SUN WEST ENGINEERING INC. DUPLICATION OF THIS INFORMATION WITHOUT PRIOR CONSENT OF SUN WEST ENGINEERING IS FORBIDDEN.



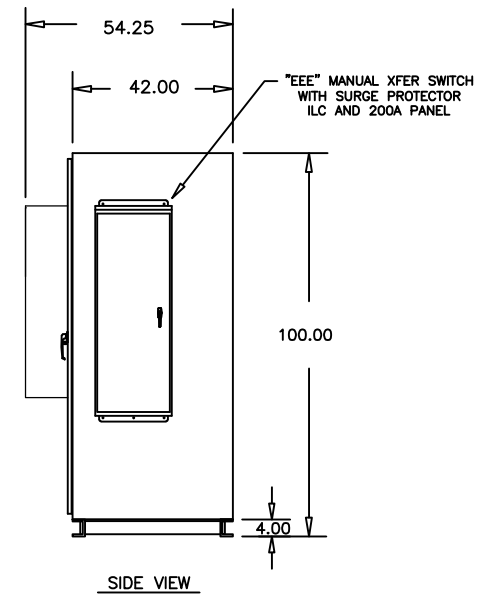
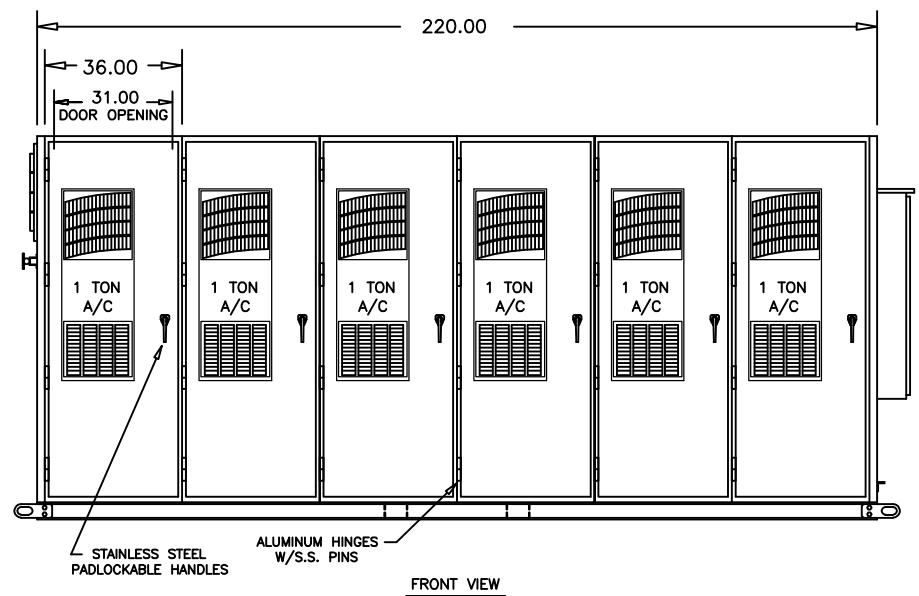
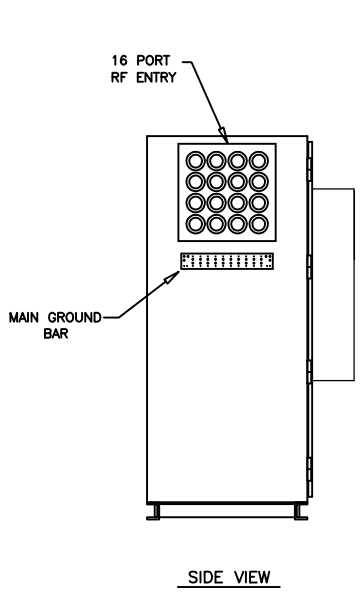
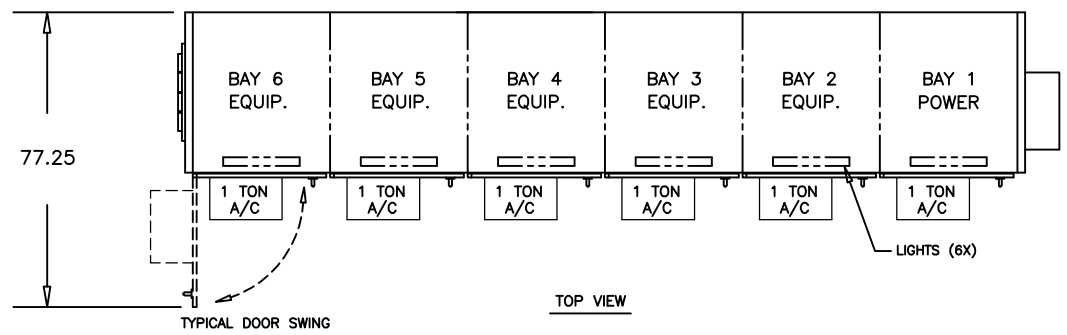
MODEL: CUS-F-5B-(3T)

| | |
|---|---------------------|
| SUN WEST ENGINEERING, INC. | |
| 3802 E. BROADWAY, PHOENIX, AZ. 85040 (602) 275-0662 | |
| TITLE: 5 BAY ALUMINUM EQUIPMENT CABINET | |
| CUSTOMER: | |
| PLOTTED SCALE: .XXXX=1 | SHEET: 1 of 1 |
| DRAWN BY: <i>WV</i> | DATE DRAWN: 6-14-11 |
| REVISED: | DWG. No. SW-3784 |



APPROVED BY: _____ DATE: _____

SITE: _____



- NOTES:
1. CABINET BUILT TO NEMA 4 SPECS. (RATED 3R) FROM .190 THICK ALUMINUM. POWDERCOATED WHITE.
 2. CABINET WEIGHT: 3700 LBS. (NOT INCLUDING CUSTOMERS EQUIPMENT.)

PROPRIETARY PROPOSAL

**** PROPRIETARY AND CONFIDENTIAL ****
 THIS DOCUMENT AND THE INFORMATION HEREIN IS THE SOLE PROPERTY OF SUN WEST ENGINEERING INC. DUPLICATION OF THIS INFORMATION WITHOUT PRIOR CONSENT OF SUN WEST ENGINEERING IS FORBIDDEN.



MODEL: CUS-F-6B-(1T)

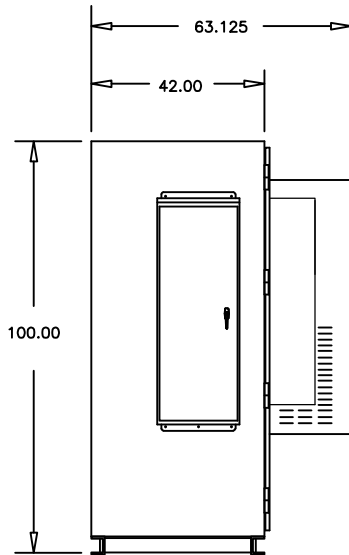
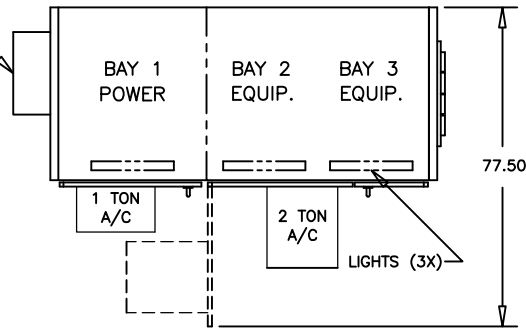
| | |
|--|---------------------|
| SUN WEST ENGINEERING, INC. 3802 E. BROADWAY, PHOENIX, AZ. 85040 (602) 275-0662 | |
| TITLE: 6 BAY ALUMINUM EQUIPMENT CABINET | |
| CUSTOMER: | |
| PLOTED SCALE: .XXXX=1 | SHEET: 1 of 1 |
| DRAWN BY: <i>WV</i> | DATE DRAWN: 6-14-11 |
| REVISED: | DWG. No. SW-3785 |

APPROVED BY: _____ DATE: _____

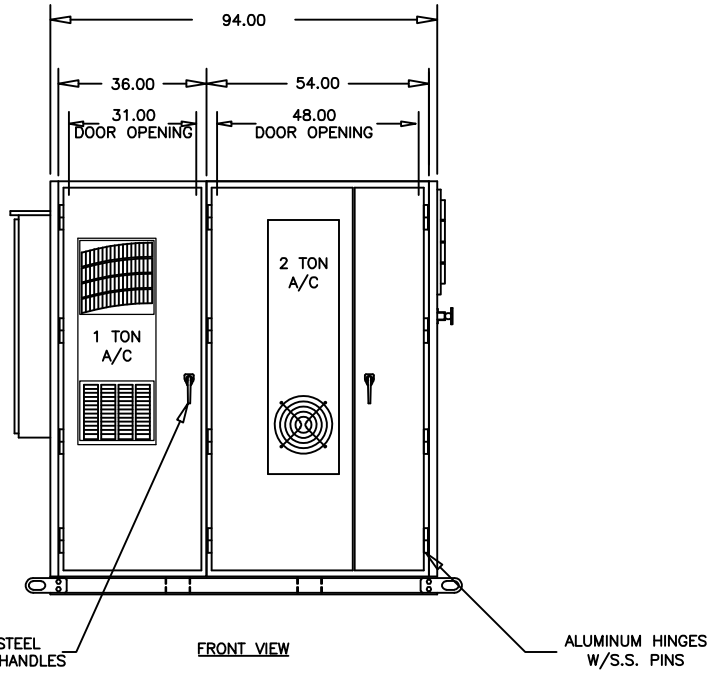
SITE: _____

*** MANUAL XFER SWITCH
WITH SURGE PROTECTOR
AND 200A PANEL

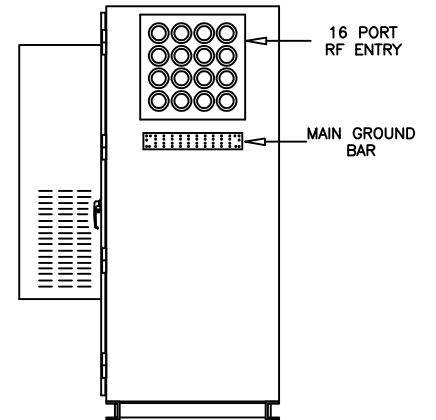
TOP VIEW



SIDE VIEW



FRONT VIEW



SIDE VIEW

**PROPRIETARY
PROPOSAL**

**** PROPRIETARY AND CONFIDENTIAL ****


THIS DOCUMENT AND THE INFORMATION
HEREIN IS THE SOLE PROPERTY OF
SUN WEST ENGINEERING INC.
DUPLICATION OF THIS INFORMATION WITHOUT
PRIOR CONSENT OF SUN WEST ENGINEERING
IS FORBIDDEN.



NOTES:

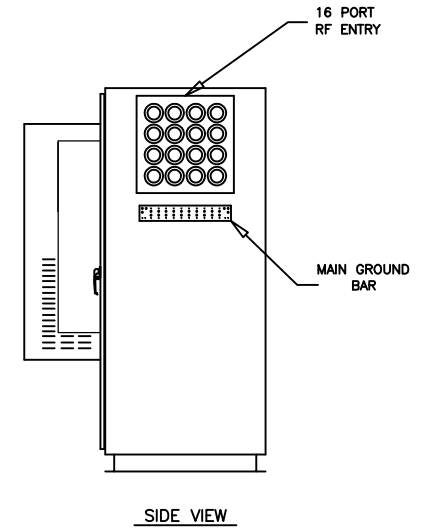
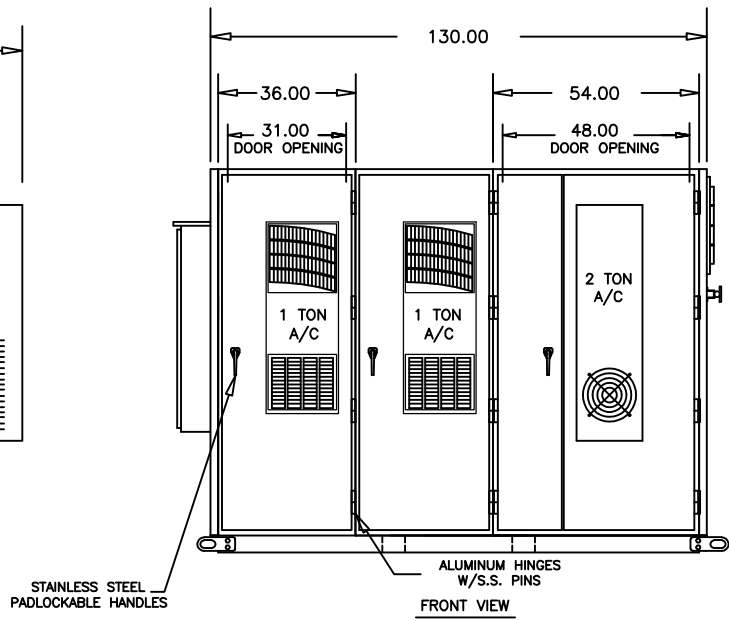
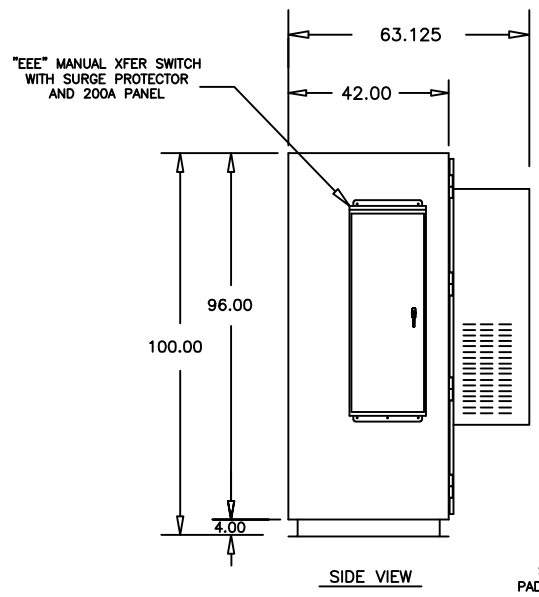
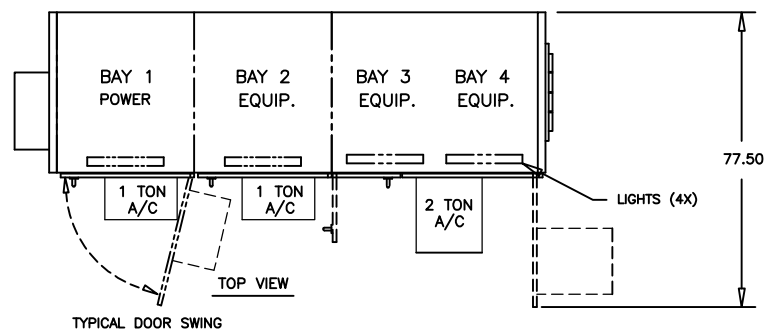
1. CABINET BUILT TO NEMA 4 SPECS. (RATED 3R) FROM .190 THICK ALUMINUM. POWDERCOATED WHITE.
2. CABINET WEIGHT: 1600 LBS. (NOT INCLUDING CUSTOMERS EQUIPMENT.)

CUS-F-3B-(1T/2T)

| | | | |
|---|---------------------|--|--|
|  | | SUN WEST ENGINEERING, INC. 3802 E. BROADWAY, PHOENIX, AZ. 85040 (602) 275-0662 | |
| | | TITLE: 3 BAY ALUMINUM EQUIPMENT CABINET | |
| CUSTOMER: | | | |
| PLOTTED SCALE: .XXXX=1 | SHEET: 1 of 1 | | |
| DRAWN BY: <i>WV</i> | DATE DRAWN: 6-15-11 | | |
| REVISED: | DWG. No. SW-3786 | | |

APPROVED BY: _____ DATE: _____

SITE: _____



- NOTES:
1. CABINET BUILT TO NEMA 4 SPECS. (RATED 3R) FROM .190 THICK ALUMINUM. POWDERCOATED WHITE.
 2. CABINET WEIGHT: 2200 LBS. (NOT INCLUDING CUSTOMERS EQUIPMENT.)

PROPRIETARY PROPOSAL

**** PROPRIETARY AND CONFIDENTIAL ****
 THIS DOCUMENT AND THE INFORMATION HEREIN IS THE SOLE PROPERTY OF SUN WEST ENGINEERING INC. DUPLICATION OF THIS INFORMATION WITHOUT PRIOR CONSENT OF SUN WEST ENGINEERING IS FORBIDDEN.

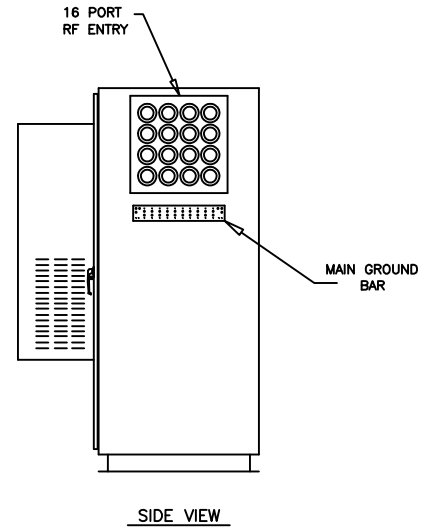
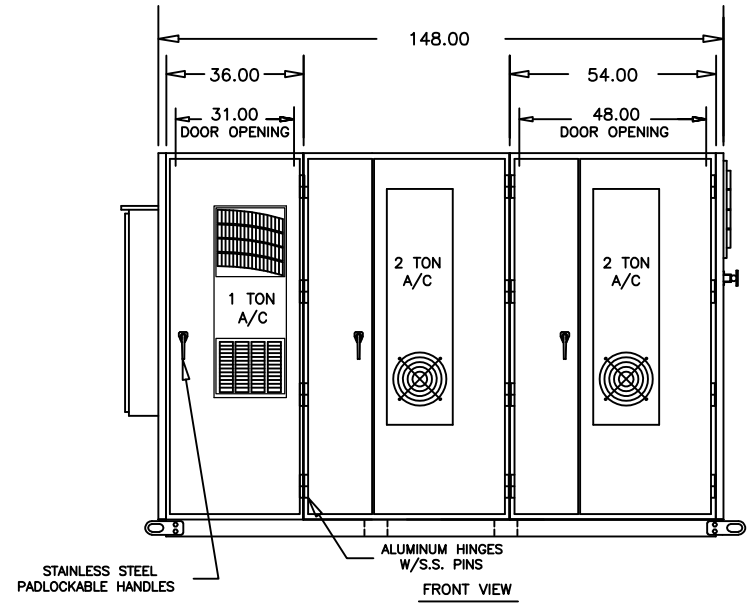
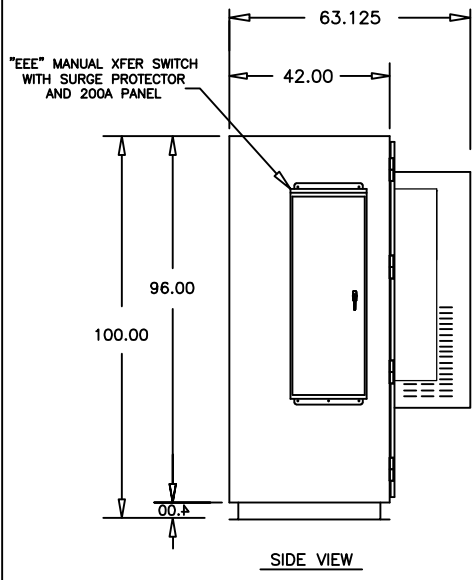
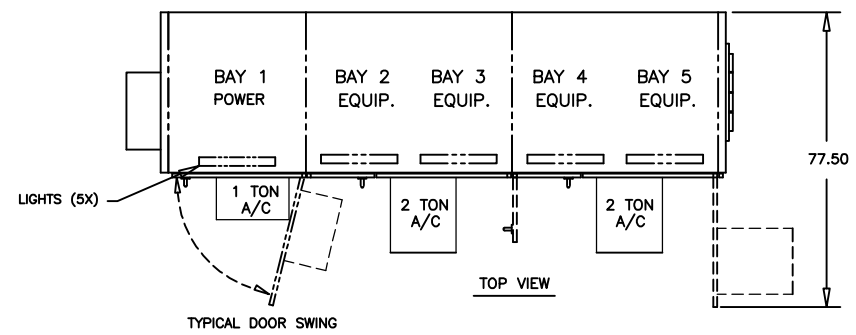


MODEL: CUS-F-4B-(1T/2T)

| | | | |
|------------------------|--|--|--|
| | | SUN WEST ENGINEERING, INC. 3802 E. BROADWAY, PHOENIX, AZ. 85040 (602) 275-0662 | |
| | | TITLE: 4 BAY ALUMINUM EQUIPMENT CABINET | |
| CUSTOMER: | | SHEET: 1 of 1 | |
| PLOTTED SCALE: .XXXX=1 | | DATE DRAWN: 6-15-11 | |
| DRAWN BY: <i>WV</i> | | DWG. No. SW-3787 | |
| REVISED: | | DATE: | |

APPROVED BY: _____ DATE: _____

SITE: _____



PROPRIETARY PROPOSAL

**** PROPRIETARY AND CONFIDENTIAL ****
 THIS DOCUMENT AND THE INFORMATION HEREIN IS THE SOLE PROPERTY OF SUN WEST ENGINEERING INC. DUPLICATION OF THIS INFORMATION WITHOUT PRIOR CONSENT OF SUN WEST ENGINEERING IS FORBIDDEN.

MODEL: CUS-F-5B-(1T/2T)

NOTES:

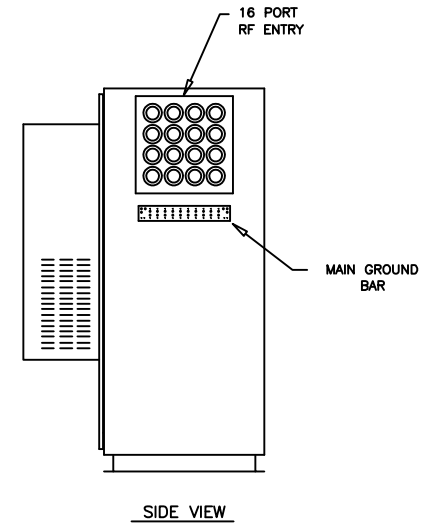
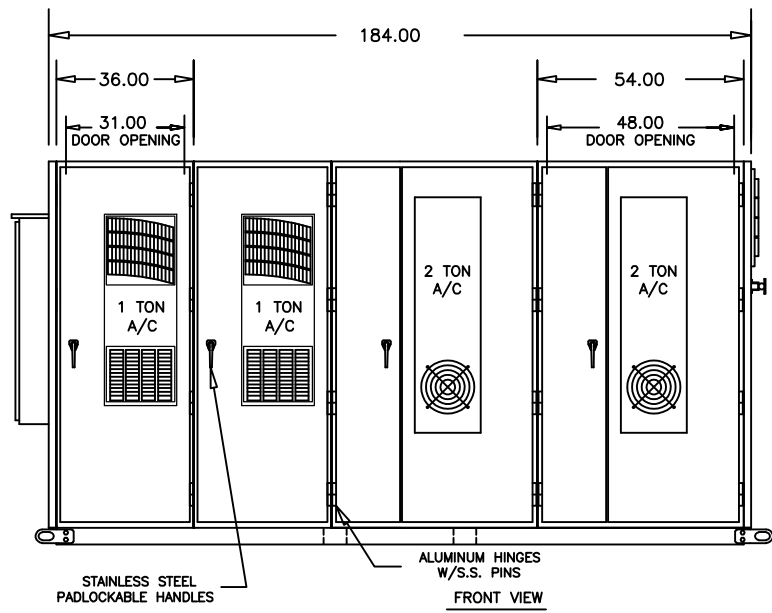
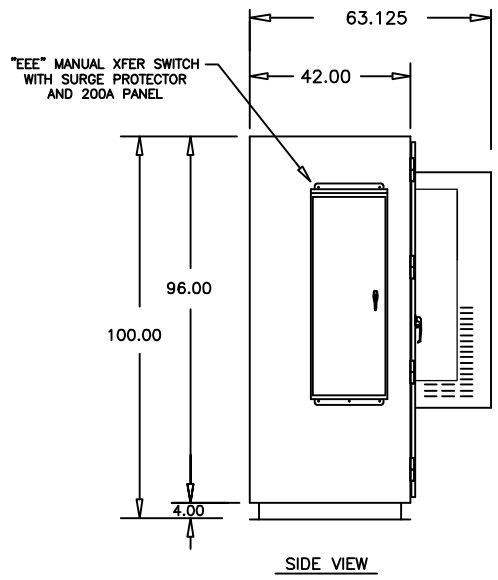
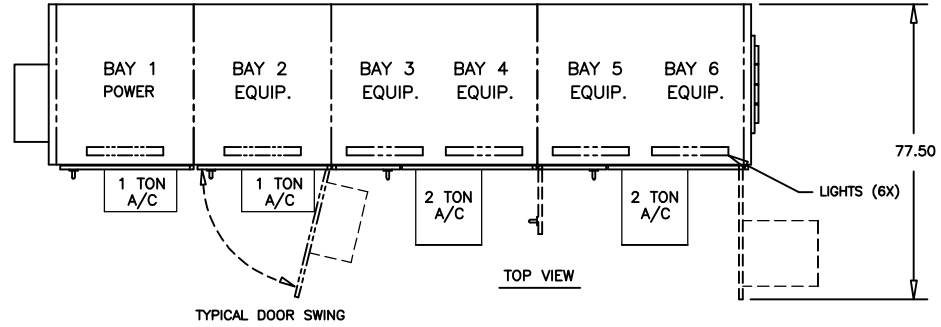
1. CABINET BUILT TO NEMA 4 SPECS. (RATED 3R) FROM .190 THICK ALUMINUM. POWDERCOATED WHITE.
2. CABINET WEIGHT: 2300 LBS. (NOT INCLUDING CUSTOMERS EQUIPMENT.)



| | |
|--|---------------------|
| SUN WEST ENGINEERING, INC. 3802 E. BROADWAY, PHOENIX, AZ. 85040 (602) 275-0662 | |
| TITLE: 5 BAY ALUMINUM EQUIPMENT CABINET | |
| CUSTOMER: | |
| PLotted SCALE: .XXXX=1 | SHEET: 1 of 1 |
| DRAWN BY: <i>WV</i> | DATE DRAWN: 6-15-11 |
| REVISED: | DWG. No. SW-3788 |

APPROVED BY: _____ DATE: _____

SITE: _____



- NOTES:
1. CABINET BUILT TO NEMA 4 SPECS. (RATED 3R) FROM .190 THICK ALUMINUM. POWDERCOATED WHITE.
 2. CABINET WEIGHT: 2900 LBS. (NOT INCLUDING CUSTOMERS EQUIPMENT.)

PROPRIETARY PROPOSAL

**** PROPRIETARY AND CONFIDENTIAL ****
 THIS DOCUMENT AND THE INFORMATION HEREIN IS THE SOLE PROPERTY OF SUN WEST ENGINEERING INC. DUPLICATION OF THIS INFORMATION WITHOUT PRIOR CONSENT OF SUN WEST ENGINEERING IS FORBIDDEN.

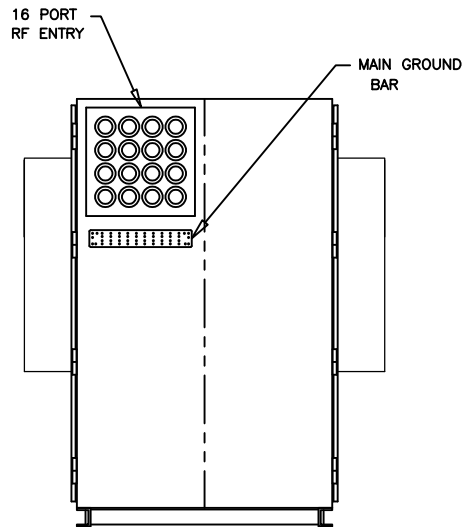
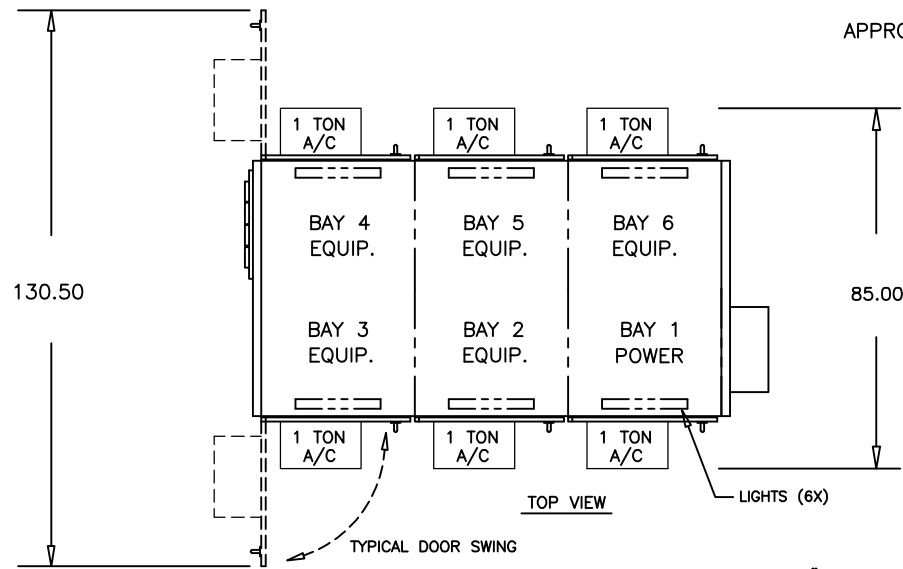


MODEL: CUS-F-6B-(1T/2T)

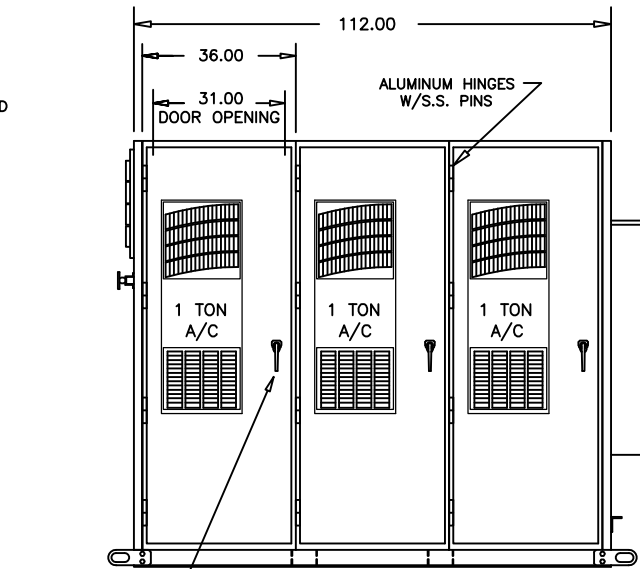
| | |
|--|---------------------|
| SUN WEST ENGINEERING, INC. 3802 E. BROADWAY, PHOENIX, AZ. 85040 (602) 275-0882 | |
| TITLE: 6 BAY ALUMINUM EQUIPMENT CABINET | |
| CUSTOMER: | |
| PLOTED SCALE: .XXXX=1 | SHEET: 1 of 1 |
| DRAWN BY: <i>HJM</i> | DATE DRAWN: 6-15-11 |
| REVISED: | DWG. No. SW-3789 |

APPROVED BY: _____ DATE: _____

SITE: _____

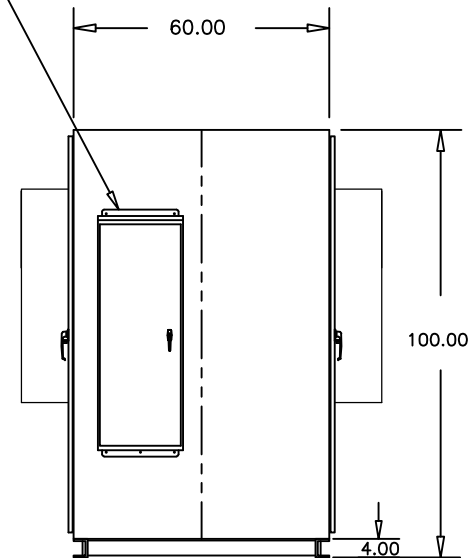


SIDE VIEW



FRONT VIEW

**EEE MANUAL XFER SWITCH WITH SURGE PROTECTOR AND 200A PANEL



SIDE VIEW

CABINET BUILT TO NEMA 4 SPECS. (RATED 3R) FROM .190 THICK ALUMINUM. POWDERCOATED WHITE.

CABINET WEIGHT: 3200 LBS. (NOT INCLUDING CUSTOMERS EQUIP.)

PROPRIETARY PROPOSAL

**** PROPRIETARY AND CONFIDENTIAL ****
 THIS DOCUMENT AND THE INFORMATION HEREIN IS THE SOLE PROPERTY OF SUN WEST ENGINEERING INC. DUPLICATION OF THIS INFORMATION WITHOUT PRIOR CONSENT OF SUN WEST ENGINEERING IS FORBIDDEN.



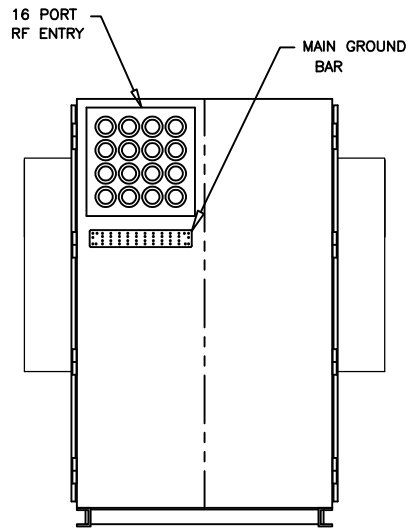
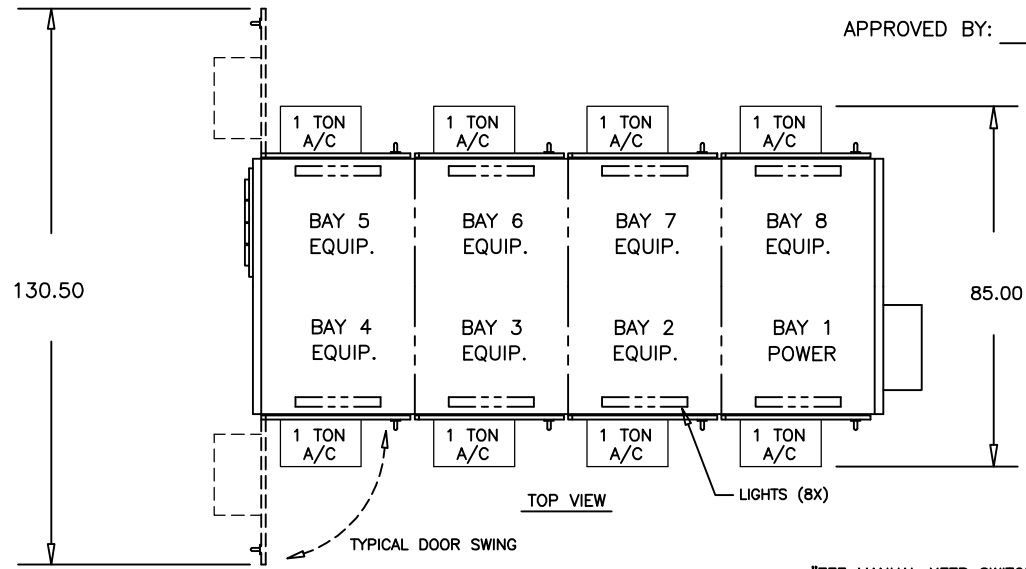
MODEL: CUS-F-6B-(1T)



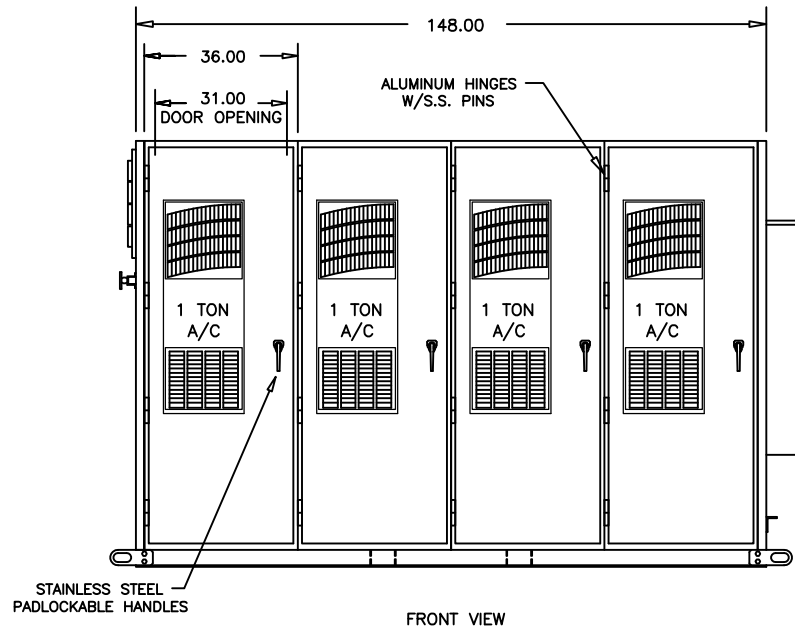
| | |
|--|---------------------|
| SUN WEST ENGINEERING, INC. 3802 E. BROADWAY, PHOENIX, AZ. 85040 (602) 275-0862 | |
| TITLE: 6 BAY ALUMINUM EQUIPMENT CABINET | |
| CUSTOMER: | |
| PLOTTED SCALE: .XXXX=1 | SHEET: 1 of 1 |
| DRAWN BY: <i>WV</i> | DATE DRAWN: 6-14-11 |
| REVISED: | DWG. No. SW-3778 |

APPROVED BY: _____ DATE: _____

SITE: _____

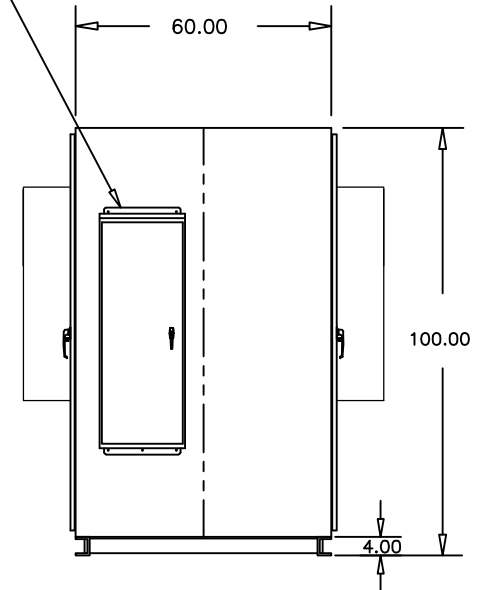


SIDE VIEW



FRONT VIEW

"EEE MANUAL XFER SWITCH WITH SURGE PROTECTOR AND 200A PANEL



SIDE VIEW

CABINET BUILT TO NEMA 4 SPECS. (RATED 3R) FROM .190 THICK ALUMINUM. POWDERCOATED WHITE.


CABINET WEIGHT: 4100 LBS. (NOT INCLUDING CUSTOMERS EQUIP.)

PROPRIETARY PROPOSAL

**** PROPRIETARY AND CONFIDENTIAL ****
 THIS DOCUMENT AND THE INFORMATION HEREIN IS THE SOLE PROPERTY OF SUN WEST ENGINEERING INC. DUPLICATION OF THIS INFORMATION WITHOUT PRIOR CONSENT OF SUN WEST ENGINEERING IS FORBIDDEN.

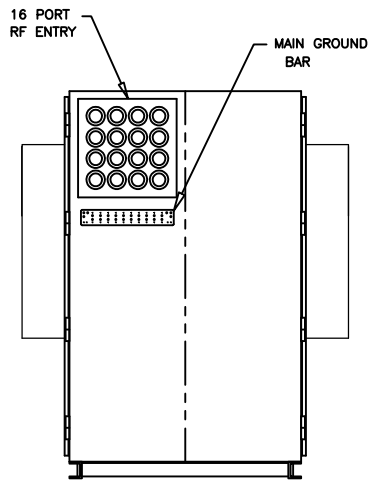
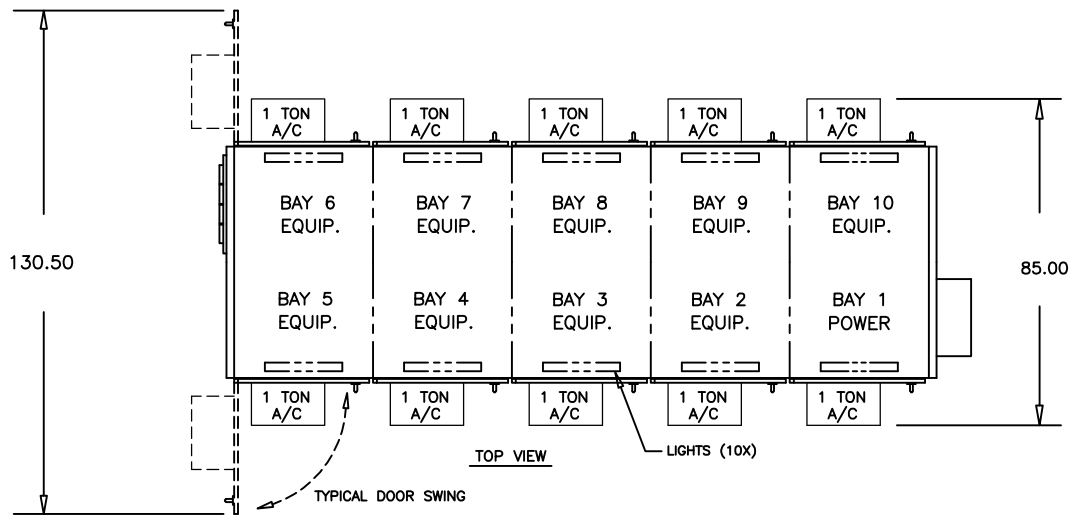


MODEL: CUS-F-8B-(1T)

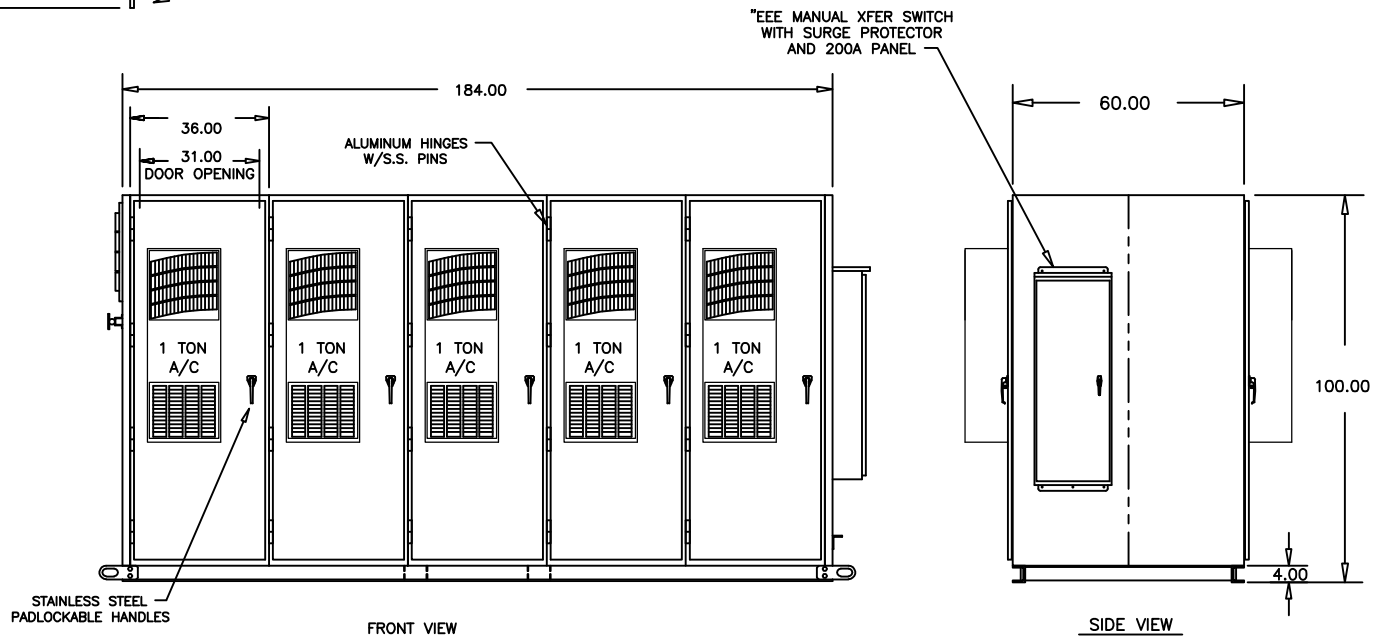
| | | | |
|---|---------------------|--|--|
|  | | SUN WEST ENGINEERING, INC. 3802 E. BROADWAY, PHOENIX, AZ. 85040 (602) 275-0862 | |
| | | TITLE: 8 BAY ALUMINUM EQUIPMENT CABINET | |
| CUSTOMER: | | | |
| PLOTTED SCALE: .XXXX=1 | SHEET: 1 of 1 | | |
| DRAWN BY: <i>WV</i> | DATE DRAWN: 6-14-11 | | |
| REVISED: | DWG. No. SW-3779 | | |

APPROVED BY: _____ DATE: _____

SITE: _____



SIDE VIEW



FRONT VIEW

SIDE VIEW

NOTES:

1. CABINET BUILT TO NEMA 4 SPECS. (RATED 3R) FROM .190 THICK ALUMINUM. POWDERCOATED WHITE.
2. CABINET WEIGHT: 5000 LBS. (NOT INCLUDING CUSTOMERS EQUIPMENT.)

**PROPRIETARY
PROPOSAL**

**** PROPRIETARY AND CONFIDENTIAL ****
THIS DOCUMENT AND THE INFORMATION
HEREIN IS THE SOLE PROPERTY OF
SUN WEST ENGINEERING INC.
DUPLICATION OF THIS INFORMATION WITHOUT
PRIOR CONSENT OF SUN WEST ENGINEERING
IS FORBIDDEN.



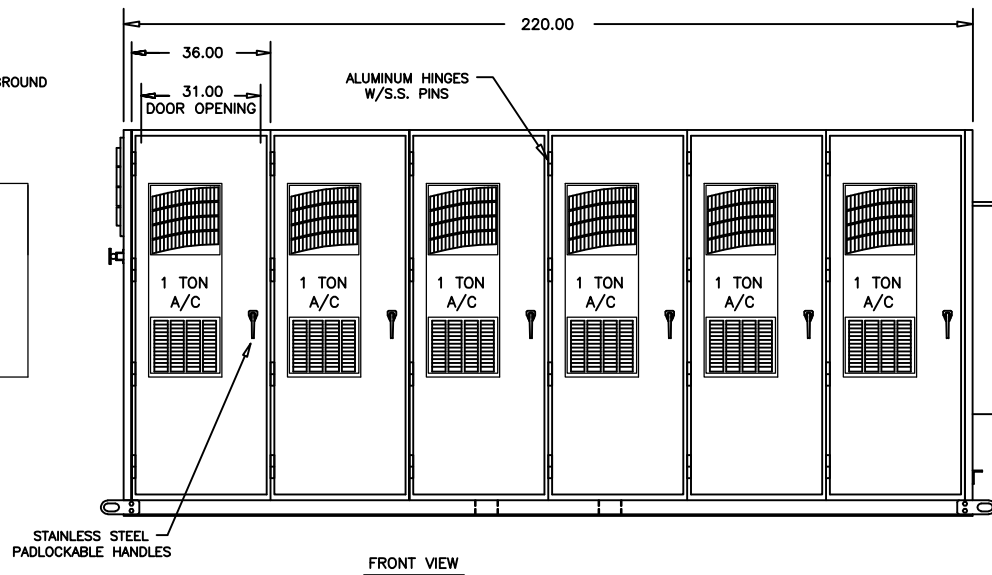
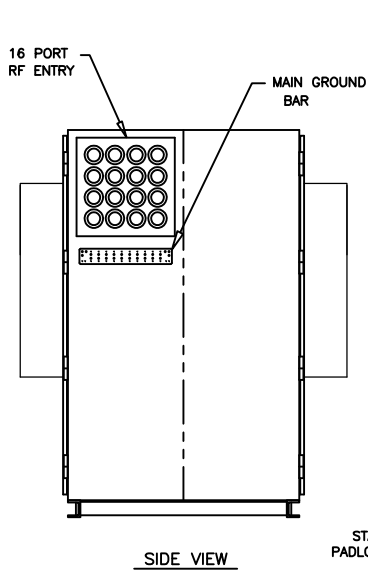
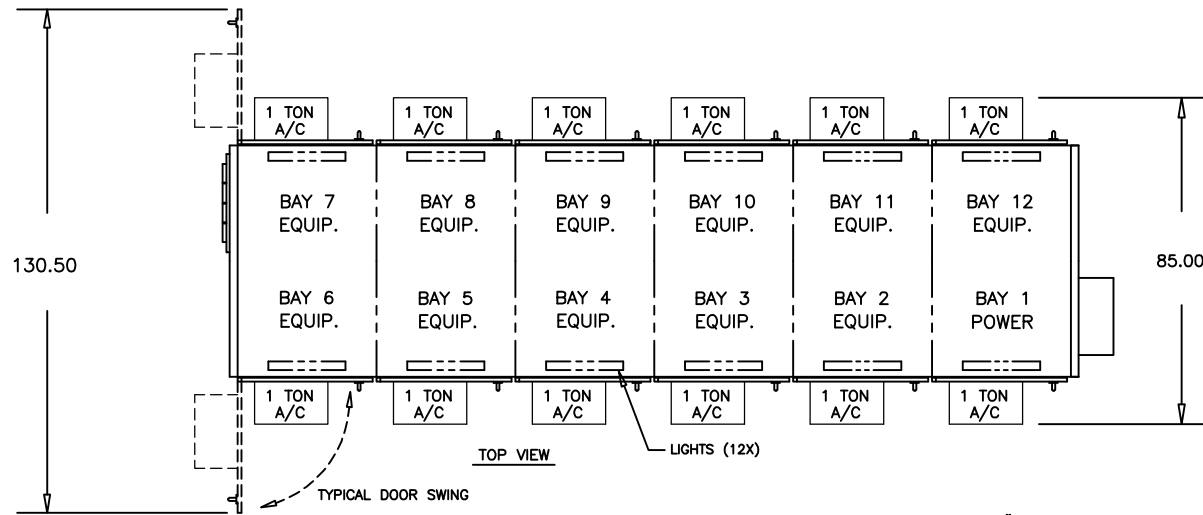
MODEL: CUS-F-10B-(1T)

| | |
|--|---------------------|
| SUN WEST ENGINEERING, INC. 3802 E. BROADWAY, PHOENIX, AZ. 85040 (602) 276-0662 | |
| TITLE: 10 BAY ALUMINUM EQUIPMENT CABINET | |
| CUSTOMER: | |
| PLOTTED SCALE: .XXXX=1 | SHEET: 1 of 1 |
| DRAWN BY: <i>WV</i> | DATE DRAWN: 6-14-11 |
| REVISED: | DWG. No. SW-3780 |

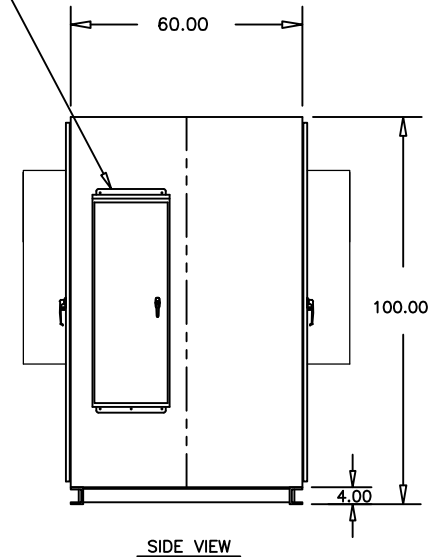


APPROVED BY: _____ DATE: _____

SITE: _____



*** MANUAL XFER SWITCH WITH SURGE PROTECTOR AND 200A PANEL



NOTES:

1. CABINET BUILT TO NEMA 4 SPECS. (RATED 3R) FROM .190 THICK ALUMINUM. POWDERCOATED WHITE.
2. CABINET WEIGHT: 5800 LBS. (NOT INCLUDING CUSTOMERS EQUIPMENT.)

PROPRIETARY PROPOSAL

**** PROPRIETARY AND CONFIDENTIAL ****
 THIS DOCUMENT AND THE INFORMATION HEREIN IS THE SOLE PROPERTY OF SUN WEST ENGINEERING INC. DUPLICATION OF THIS INFORMATION WITHOUT PRIOR CONSENT OF SUN WEST ENGINEERING IS FORBIDDEN.



MODEL: CUS-F-12B-(1T)



| | |
|--|---------------------|
| SUN WEST ENGINEERING, INC. 3802 E. BROADWAY, PHOENIX, AZ. 85040 (602) 275-0662 | |
| TITLE: 12 BAY ALUMINUM EQUIP. CABINET | |
| CUSTOMER: | |
| PLOTTED SCALE: .XXXX=1 | SHEET: 1 of 1 |
| DRAWN BY: <i>WV</i> | DATE DRAWN: 6-14-11 |
| REVISED: | DWG. No. SW-3781 |