

NOTE: HOLE PATTERN IS MIRRORED ON CABINET TOP
(SEE KNOCKOUT PATTERN SHEET)

CABINET BUILT OF ZINC COATED STEEL TO NEMA 1 SPECS. AND PRIME PAINTED.
(THESE CABINETS ARE SINGLE DOOR CONSTRUCTION).



DIMENSION CHART					K.O. PATTERN
Model	"W"	"H"	"D"	Mat'l:	
LT-01903208	19.00"	32.00"	8.00"	16GA.	#11 (PG 34)
* NON-STOCK "LT" SIZES AVAILABLE UPON REQUEST					

PROPRIETARY PROPOSAL

**** PROPRIETARY AND CONFIDENTIAL ****

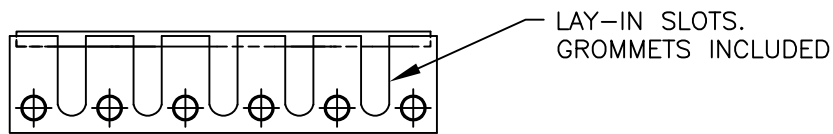
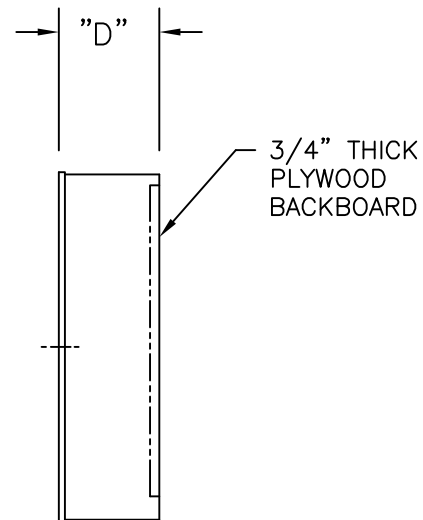
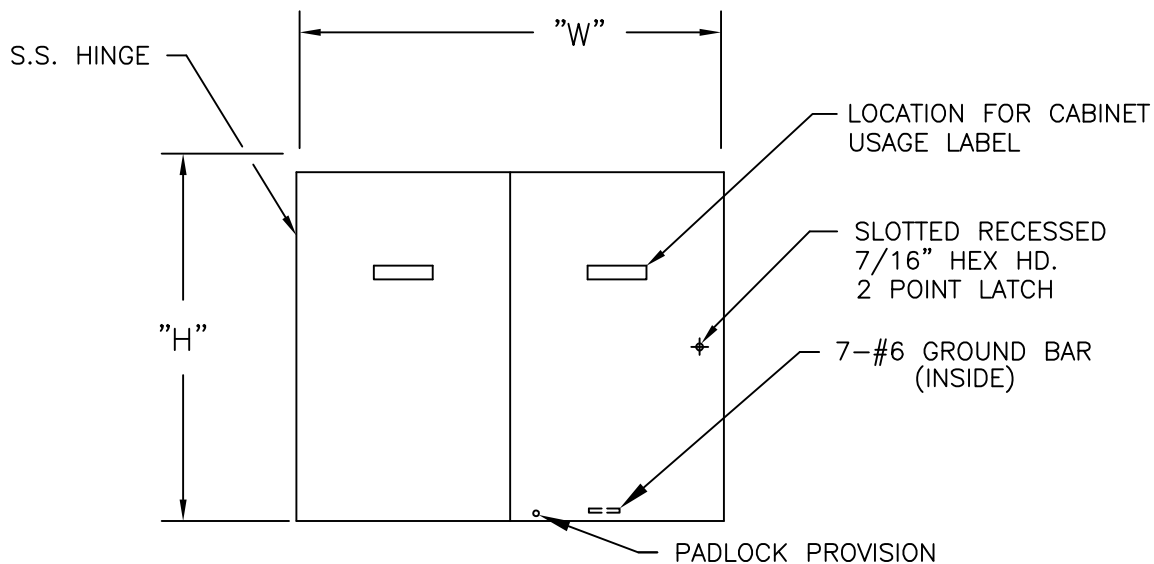
THIS DOCUMENT AND THE INFORMATION HEREIN IS THE SOLE PROPERTY OF SUN WEST ENGINEERING INC. DUPLICATION OF THIS INFORMATION WITHOUT PRIOR CONSENT OF SUN WEST ENGINEERING IS FORBIDDEN.

SW-3772

SUN WEST ENGINEERING, INC.

3802 E. BROADWAY, PHOENIX, AZ 85040 (602) 275-0662

LT SERIES



NOTE: HOLE PATTERN IS MIRRORED ON CABINET TOP
(SEE KNOCKOUT PATTERN SHEET)

CABINET BUILT OF ZINC COATED STEEL TO NEMA 1 SPECS. AND PRIME PAINTED.
(THESE CABINETS ARE DOUBLE DOOR CONSTRUCTION).



PROPRIETARY PROPOSAL

**** PROPRIETARY AND CONFIDENTIAL ****

THIS DOCUMENT AND THE INFORMATION
HEREIN IS THE SOLE PROPERTY OF
SUN WEST ENGINEERING INC.
DUPLICATION OF THIS INFORMATION WITHOUT
PRIOR CONSENT OF SUN WEST ENGINEERING
IS FORBIDDEN.

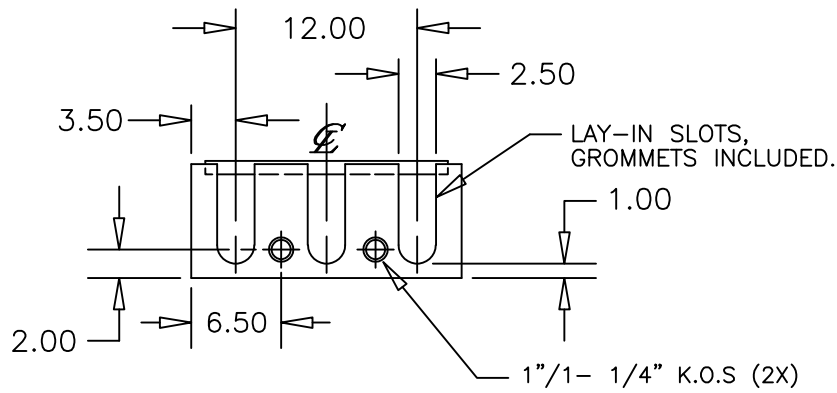
SW-3773

DIMENSION CHART					K.O. PATTERN
Model	"W"	"H"	"D"	Mat'l:	
LT-03803208	38.00"	32.00"	8.00"	14GA.	#12 (PG 34)
LT-03806008	38.00"	60.00"	8.00"	14GA.	#12 (PG 34)
* NON-STOCK "LT" SIZES AVAILABLE UPON REQUEST					

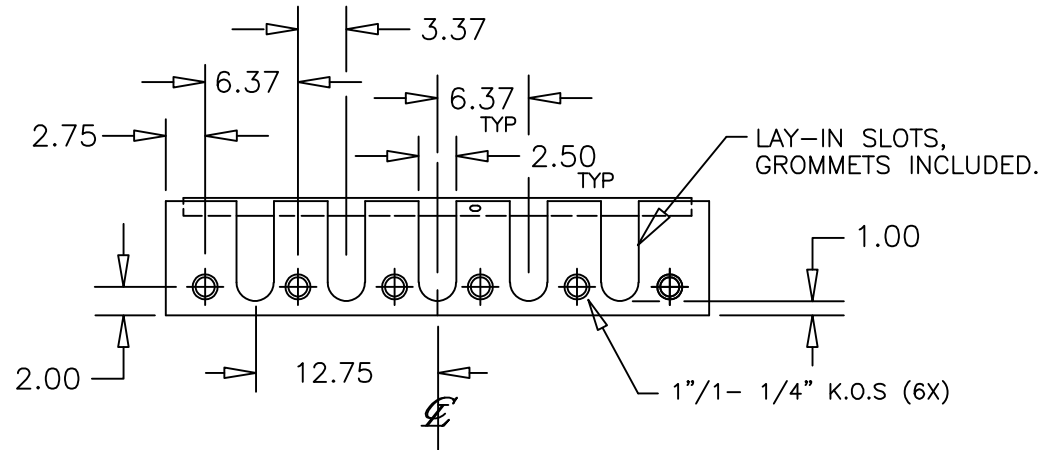
SUN WEST ENGINEERING, INC.

3802 E. BROADWAY, PHOENIX, AZ 85040 (602) 275-0662

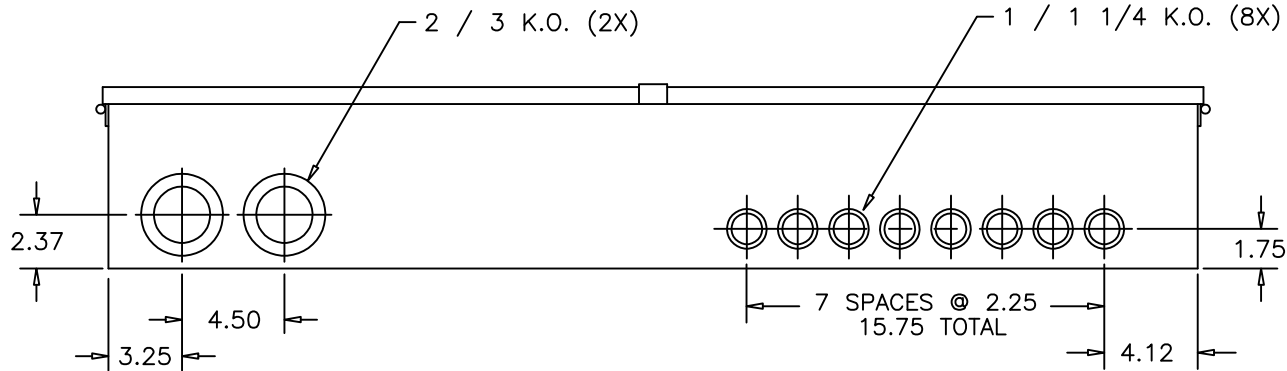
LT SERIES



PATTERN #11



PATTERN #12



PATTERN #13

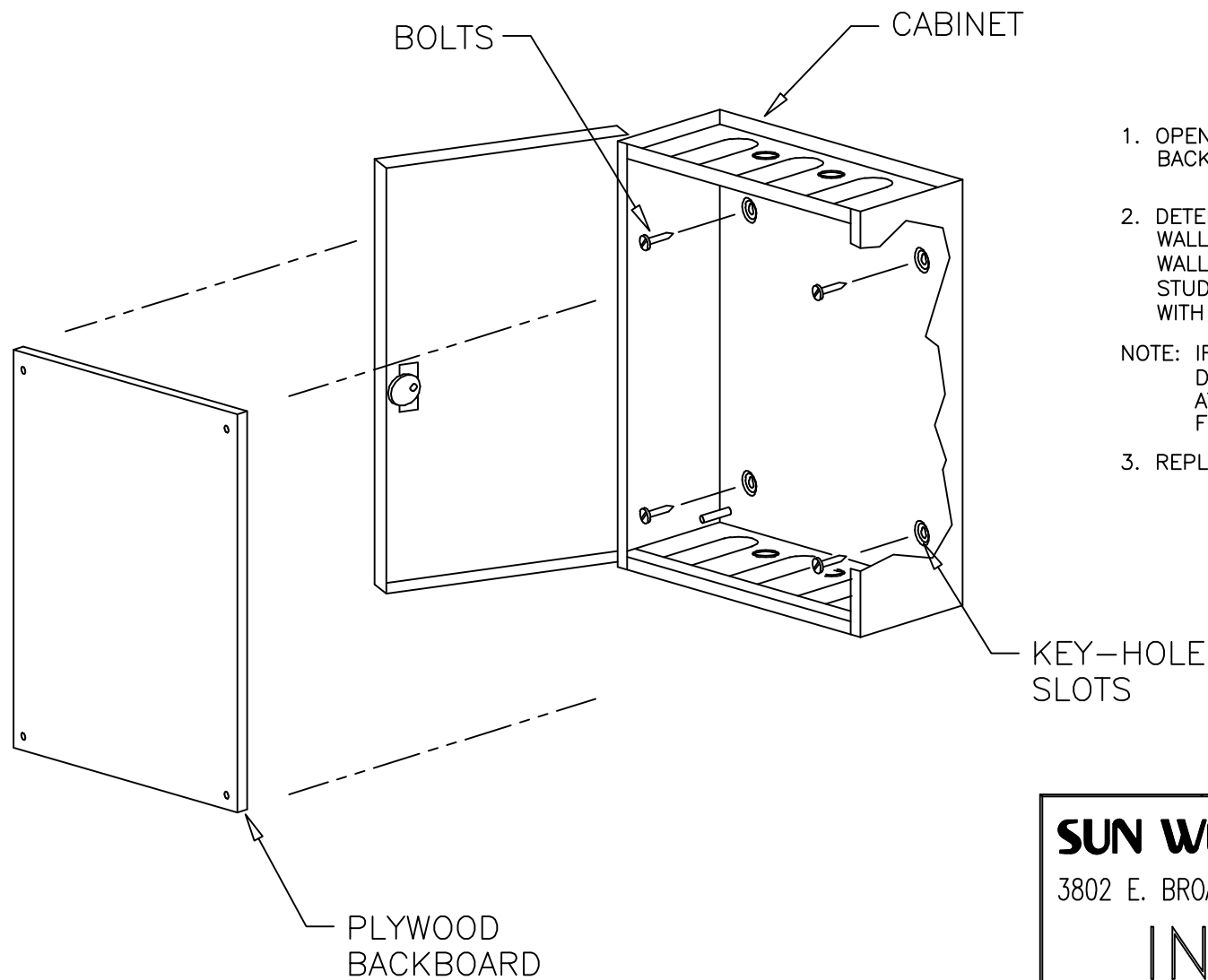
**PROPRIETARY
PROPOSAL**

**** PROPRIETARY AND CONFIDENTIAL ****

THIS DOCUMENT AND THE INFORMATION
HEREIN IS THE SOLE PROPERTY OF
SUN WEST ENGINEERING INC.

DUPLICATION OF THIS INFORMATION WITHOUT
PRIOR CONSENT OF SUN WEST ENGINEERING
IS FORBIDDEN.

**SUN WEST ENGINEERING INC.
KNOCKOUT PATTERN SHEET 4
DWG. NO. SW-445**



INSTALLATION INSTRUCTIONS:

1. OPEN CABINET AND REMOVE PLYWOOD BACKBOARD.
2. DETERMINE LOCATION OF CABINET ON WALL. LOCATE POSITION OF STUDS BEHIND WALL. LINE UP KEY-HOLE SLOTS WITH STUDS AND SECURE CABINET TO WALL WITH APPROPRIATE HARDWARE.

NOTE: IF NO STUDS ARE AVAILABLE, DETERMINE LOCATION OF CABINET AND ATTACH WITH HARDWARE APPROPRIATE FOR TYPE OF WALL.

3. REPLACE PLYWOOD BACKBOARD.

SUN WEST ENGINEERING, INC.

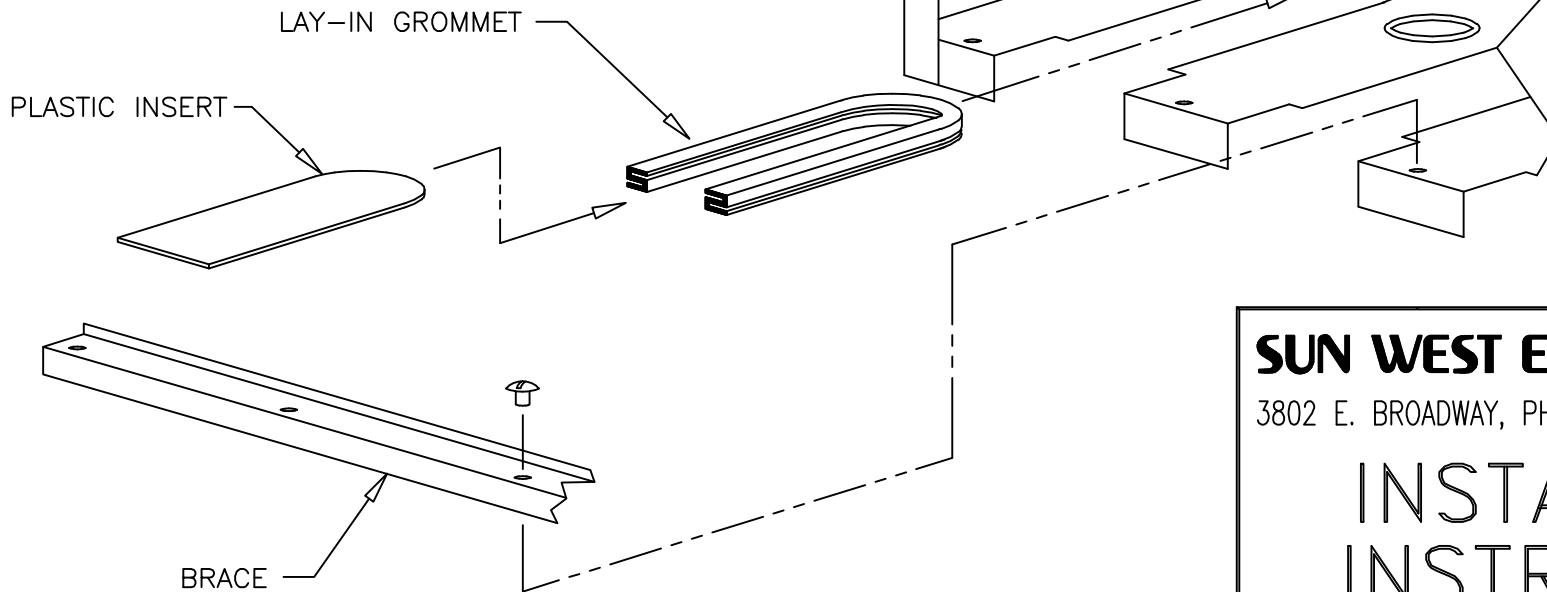
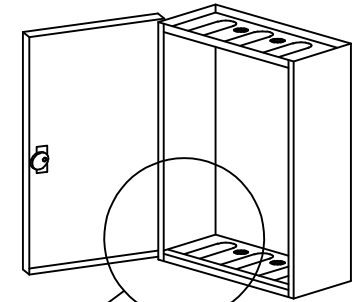
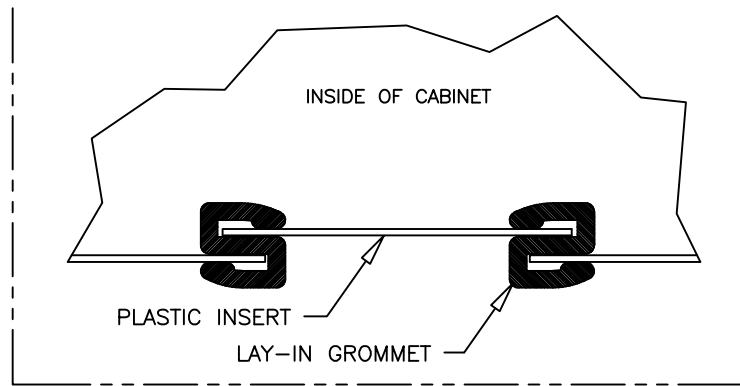
3802 E. BROADWAY, PHOENIX AZ 85040 (602) 275-0662

INSTALLATION
INSTRUCTIONS

DWG. NO. SW-441

LAY-IN GROMMET INSTALLATION INSTRUCTIONS:

1. LINE EDGE OF SLOT WITH LAY-IN GROMMET, MAKING CERTAIN THAT GROOVE FOR PLASTIC INSERT IS TOWARD INSIDE OF CABINET.
2. DETERMINE SPACE NEEDED FOR CABLES AND TRIM PLASTIC INSERT TO MATCH.
3. WITH CABLES IN PLACE, SLIDE INSERT INTO GROOVE.
4. ATTACH BRACE TO CABINET, SECURING INSERT AND GROMMET IN PLACE, USING HARDWARE SUPPLIED.



SUN WEST ENGINEERING, INC.

3802 E. BROADWAY, PHOENIX AZ 85040 (602) 275-0662

INSTALLATION
INSTRUCTIONS

DWG. NO. SW-456