

CABINET BUILT OF ZINC COATED STEEL TO NEMA 3R SPECS. AND PRIME PAINTED. (THESE CABINETS ARE SINGLE DOOR CONSTRUCTION).



DIMENSION CHART					K.O. PATTERN
Model	"W"	"H"	"D"	Mat'l:	
PBI-01803207	18.00"	32.00"	6.75"	16GA.	#7 (PG 33)
* NON-STOCK "PBI" SIZES AVAILABLE UPON REQUEST					

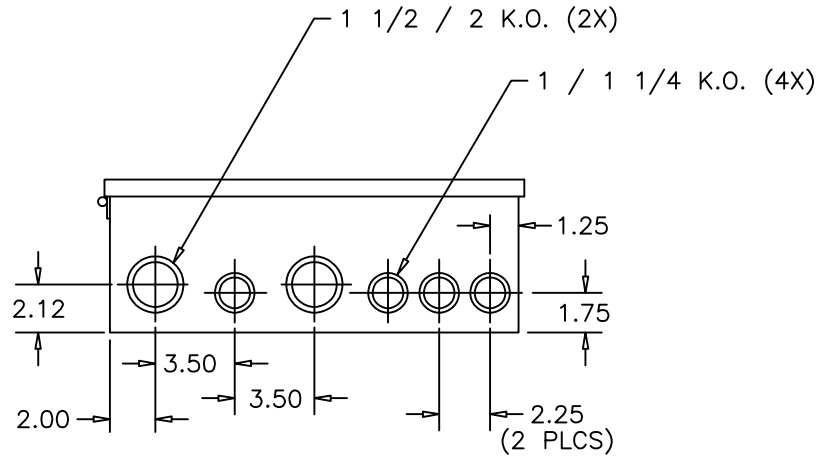
PROPRIETARY PROPOSAL

**** PROPRIETARY AND CONFIDENTIAL ****
 THIS DOCUMENT AND THE INFORMATION HEREIN IS THE SOLE PROPERTY OF SUN WEST ENGINEERING INC. DUPLICATION OF THIS INFORMATION WITHOUT PRIOR CONSENT OF SUN WEST ENGINEERING IS FORBIDDEN.

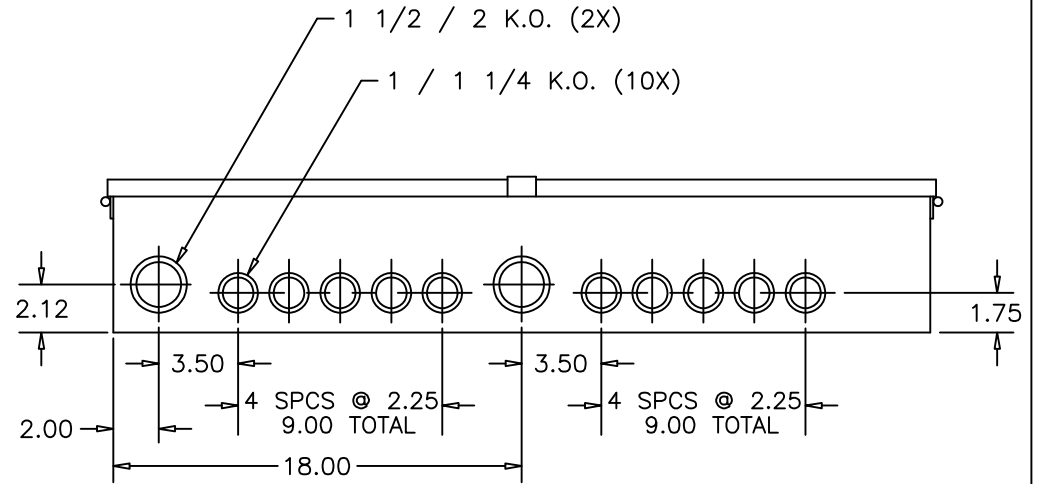
SW-3775

SUN WEST ENGINEERING, INC.
 3802 E. BROADWAY, PHOENIX, AZ 85040 (602) 275-0662

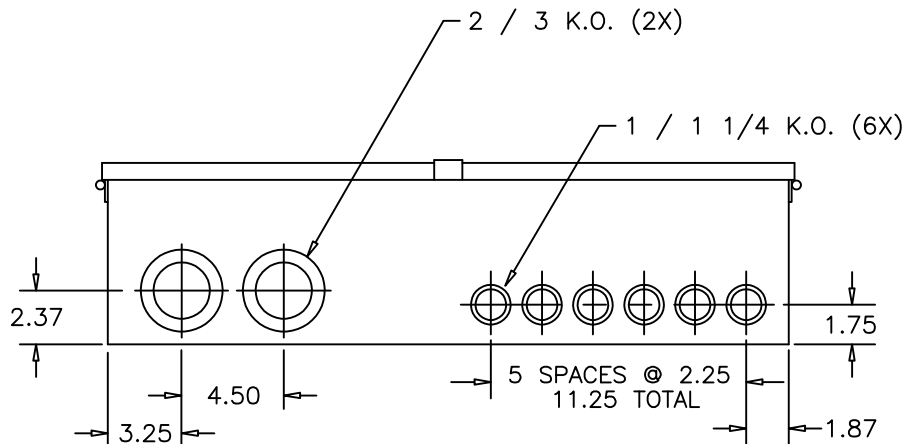
PBI SERIES



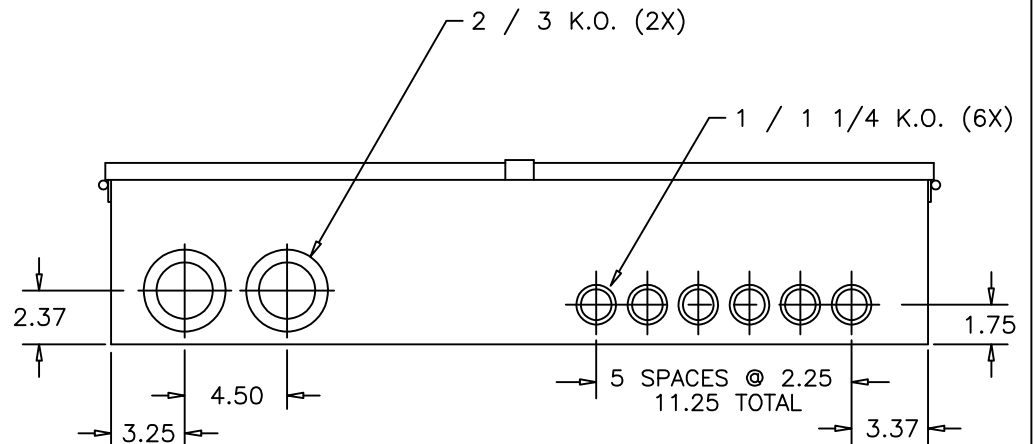
PATTERN #7



PATTERN #8



PATTERN #9



PATTERN #10

**PROPRIETARY
PROPOSAL**

**** PROPRIETARY AND CONFIDENTIAL ****

THIS DOCUMENT AND THE INFORMATION
HEREIN IS THE SOLE PROPERTY OF
SUN WEST ENGINEERING INC.

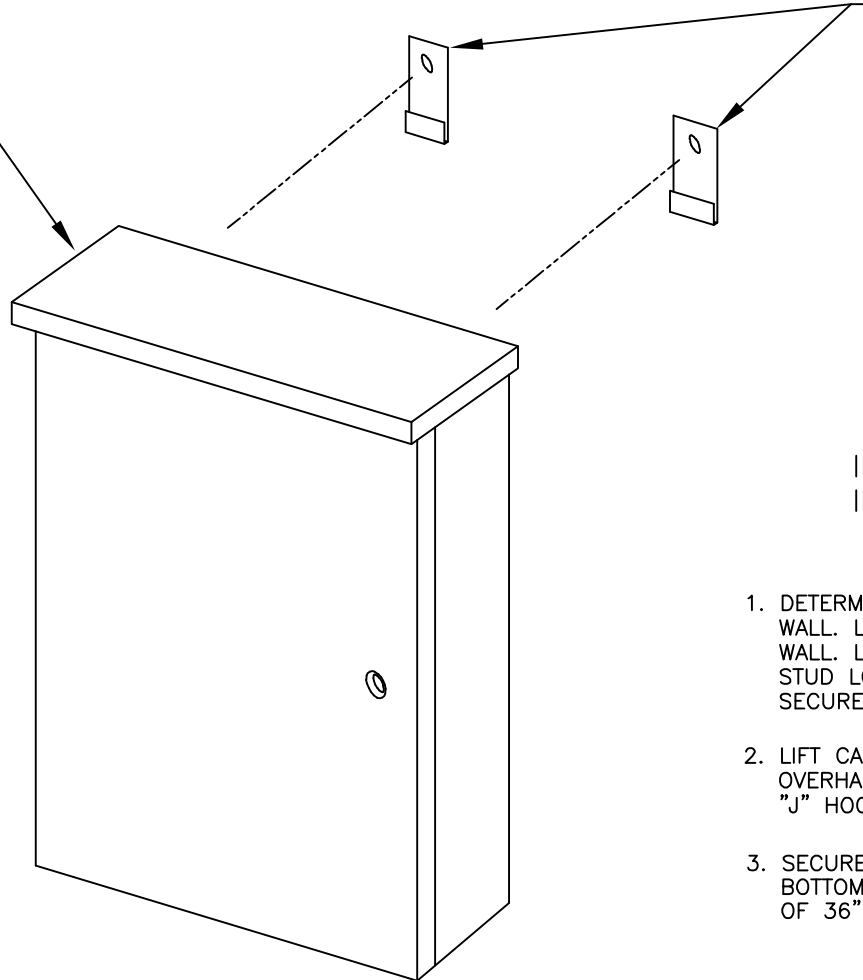
DUPLICATION OF THIS INFORMATION WITHOUT
PRIOR CONSENT OF SUN WEST ENGINEERING
IS FORBIDDEN.

**SUN WEST ENGINEERING INC.
KNOCKOUT PATTERN SHEET 3
DWG. NO. SW-444**

NOTE: IF TELEPHONE EQUIPMENT PROTECTORS ARE TO BE EMPLOYED WITHIN THIS ENCLOSURE, THEN THE APPLICABLE REGULATIONS OF THE NEC, ANSI/NFPA 70 (ARTICLE 800, SEC. C) MUST BE FOLLOWED.

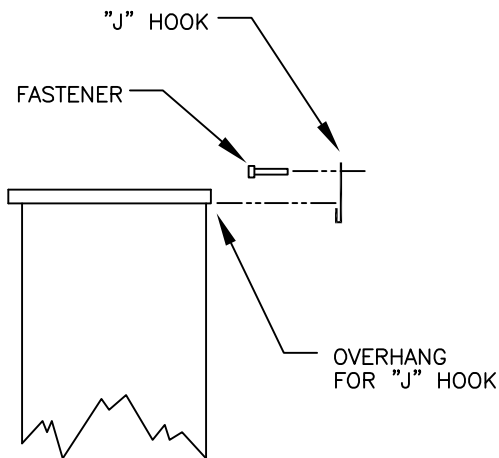
TERMINATION CABINET

"J" HOOKS



INSTALLATION INSTRUCTIONS:

1. DETERMINE LOCATION OF CABINET ON WALL. LOCATE POSITIONS OF STUDS BEHIND WALL. LINE UP "J" HOOKS TO MATCH STUD LOCATIONS AND FASTEN "J" HOOKS SECURELY TO WALL.
2. LIFT CABINET INTO PLACE ALLOWING OVERHANG ON REAR OF LID TO FALL INTO "J" HOOKS.
3. SECURE THE CABINET IN PLACE. BOTTOM OF CABINET SHOULD BE A MINIMUM OF 36" ABOVE FINAL GRADE.



SUN WEST ENGINEERING, INC.

3802 E. BROADWAY, PHOENIX, AZ 85040 (602) 275-0662

INSTALLATION INSTRUCTIONS

DWG: SW-1005