

SIDE VIEW

PROPRIETARY
PROPOSAL

** PROPRIETARY AND CONFIDENTIAL **

THIS DOCUMENT AND THE INFORMATION
CONTAINED HEREIN ARE THE SOLE PROPERTY
OF SUN WEST ENGINEERING, INC.
DUPLICATION OF THIS INFORMATION WITHOUT
PRIOR CONSENT OF SUN WEST ENGINEERING, INC.
IS FORBIDDEN.



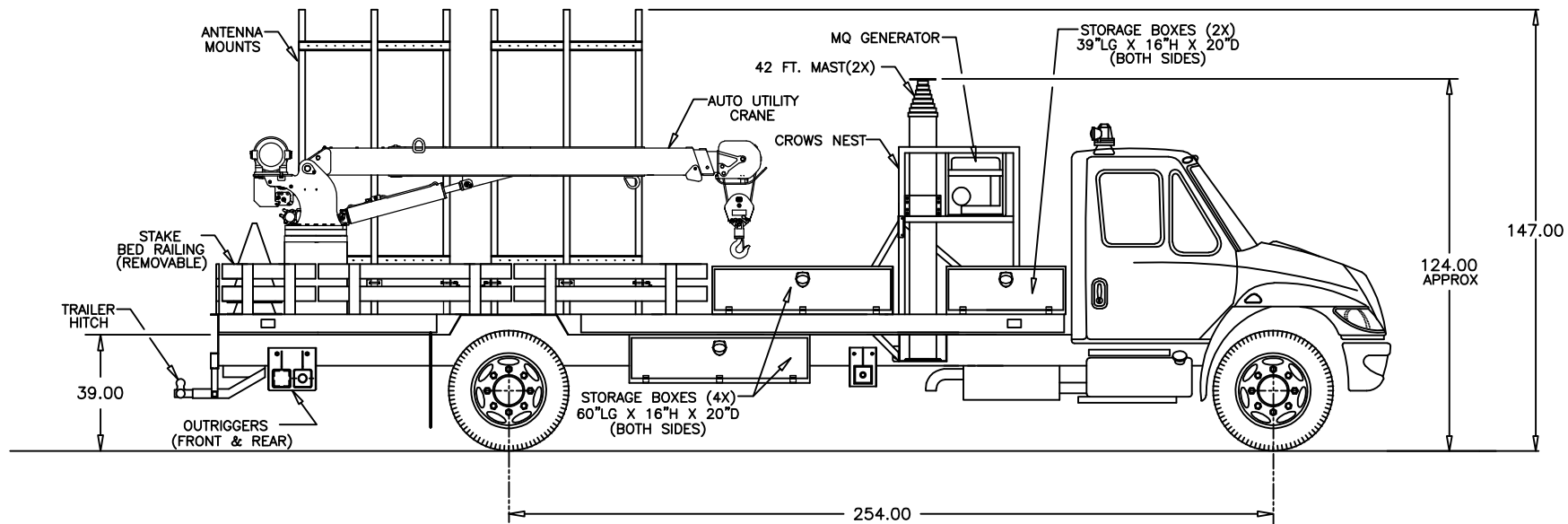
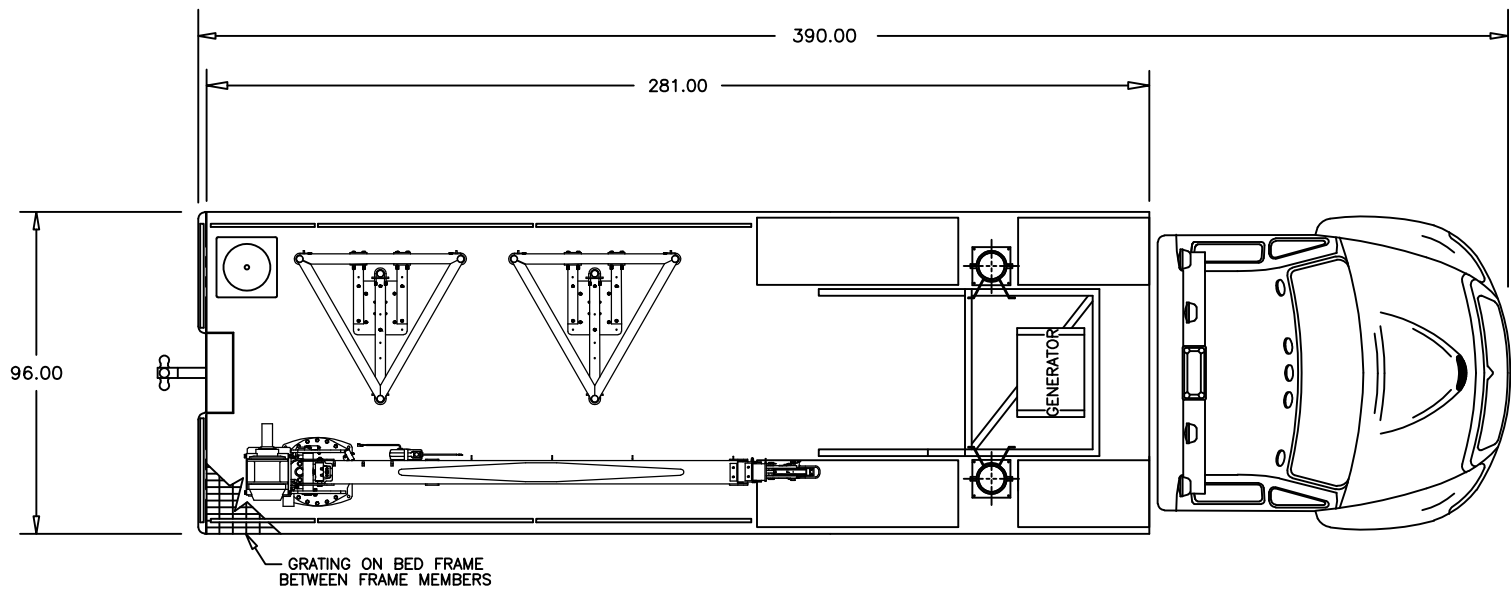
SUN WEST ENGINEERING, INC.
3802 E BROADWAY, PHOENIX, AZ 85040 (602) 275-0682

TITLE:
TRUCK "COW"
INTERNATIONAL, MDL 7500 4WD (HD)
WITH GENERATOR

PLOTTED SCALE: .XXXX=1 SHEET: 1 of 1

DRAWN BY: *NCH* DATE DRAWN: 9-12-08

REVISED: 08-24-09 DWG. No. SW-2974

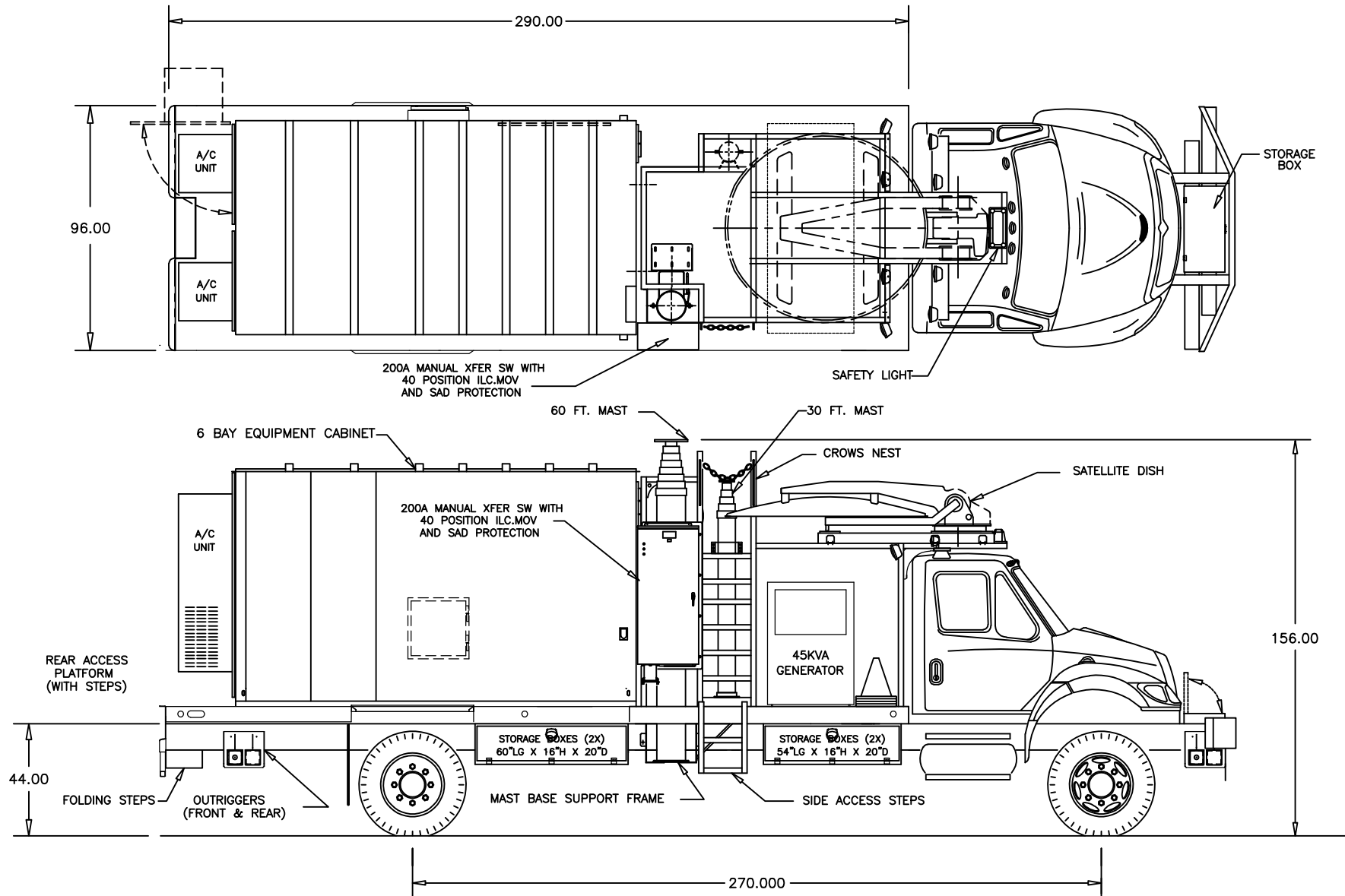


**PROPRIETARY
PROPOSAL**

**** PROPRIETARY AND CONFIDENTIAL ****
 THIS DOCUMENT AND THE INFORMATION
 CONTAINED HEREIN ARE THE SOLE PROPERTY
 OF SUN WEST ENGINEERING, INC.
 DUPLICATION OF THIS INFORMATION WITHOUT
 PRIOR CONSENT OF SUN WEST ENGINEERING, INC.
 IS FORBIDDEN.



| | |
|--|----------------------|
| SUN WEST ENGINEERING, INC. 5802 E. BROADWAY, PHOENIX, AZ. 85040 (602) 276-0662 | |
| TITLE: TRUCK COW OVER-VIEW | |
| PLOTTED SCALE: .XXXX=1 | SHEET: 1 of 1 |
| DRAWN BY: <i>SLM</i> | DATE DRAWN: 04-08-08 |
| REVISED: | DWG. No. SW-2836 |

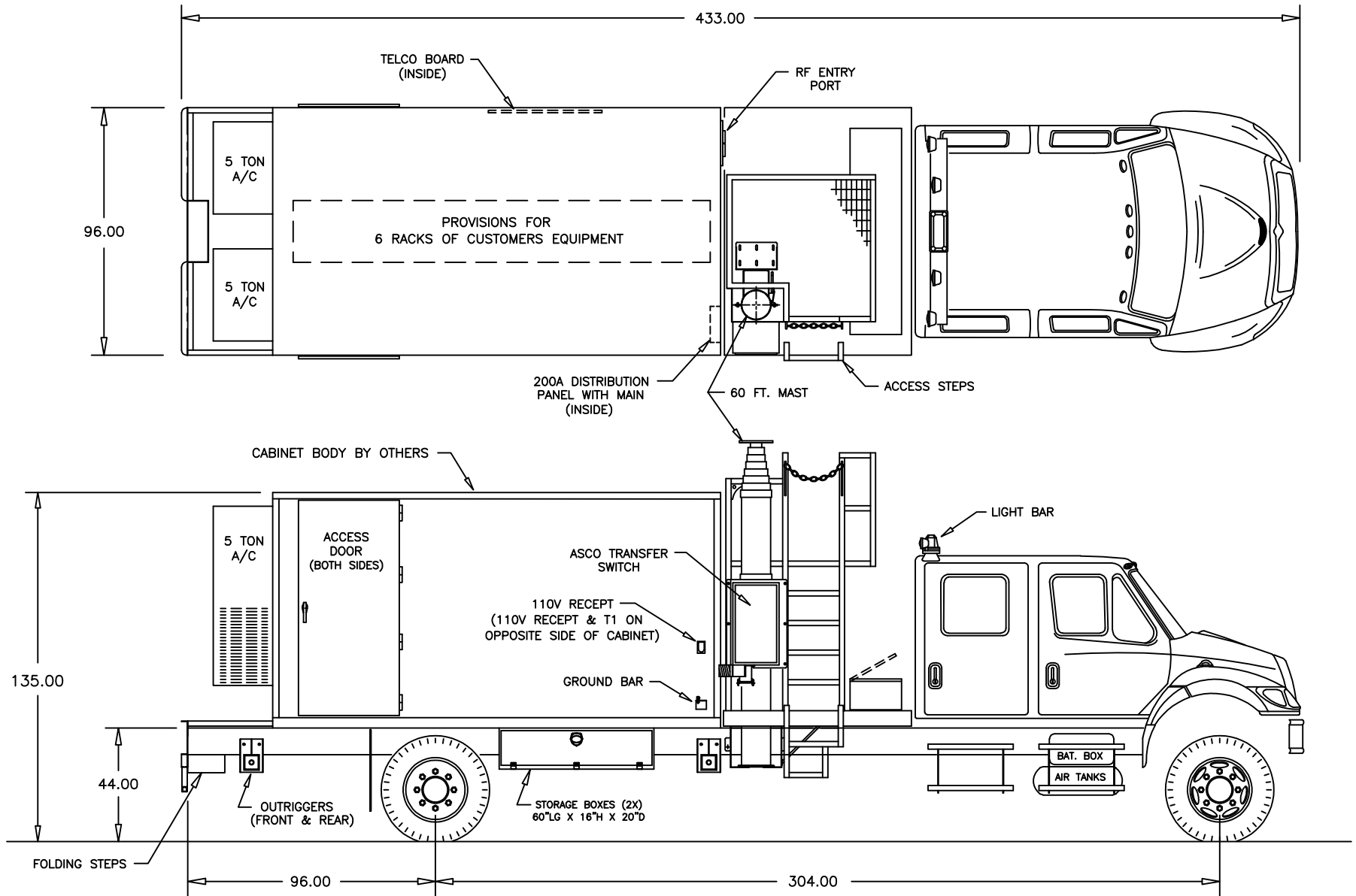


**PROPRIETARY
PROPOSAL**

**** PROPRIETARY AND CONFIDENTIAL ****
 THIS DOCUMENT AND THE INFORMATION CONTAINED HEREIN ARE THE SOLE PROPERTY OF SUN WEST ENGINEERING, INC. DUPLICATION OF THIS INFORMATION WITHOUT PRIOR CONSENT OF SUN WEST ENGINEERING, INC. IS FORBIDDEN.



| | |
|--|----------------------|
| SUN WEST ENGINEERING, INC. 3802 E. BROADWAY, PHOENIX, AZ. 85040 (602) 275-0662 | |
| TITLE: TRUCK COW INTERNATIONAL MDL 7300 (4WD) | |
| PLOTTED SCALE: .XXXX=1 | SHEET: 1 of 1 |
| DRAWN BY: <i>ELM</i> | DATE DRAWN: 06-10-08 |
| REVISED: 10-10-08 | DWG. No. SW-2876 |



**PROPRIETARY
PROPOSAL**

**** PROPRIETARY AND CONFIDENTIAL ****
 THIS DOCUMENT AND THE INFORMATION CONTAINED HEREIN ARE THE SOLE PROPERTY OF SUN WEST ENGINEERING, INC. DUPLICATION OF THIS INFORMATION WITHOUT PRIOR CONSENT OF SUN WEST ENGINEERING, INC. IS FORBIDDEN.



| | |
|--|--------------------|
| SUN WEST ENGINEERING, INC. 3802 E. BROADWAY, PHOENIX, AZ. 85040 (602) 275-0662 | |
| TITLE: INTERNATIONAL MDL 7300 (4WD) W/EQUIP. CAB. BY OTHERS | |
| PLOTTED SCALE: .XXXX=1 | SHEET: 1 of 1 |
| DRAWN BY: HSK | DATE DRAWN: 2-9-07 |
| REVISED: | DWG. No. SW-2733 |