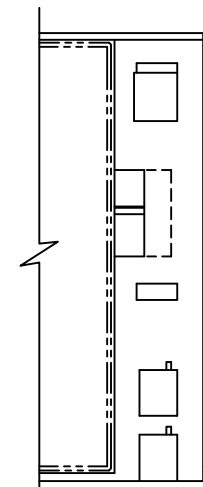
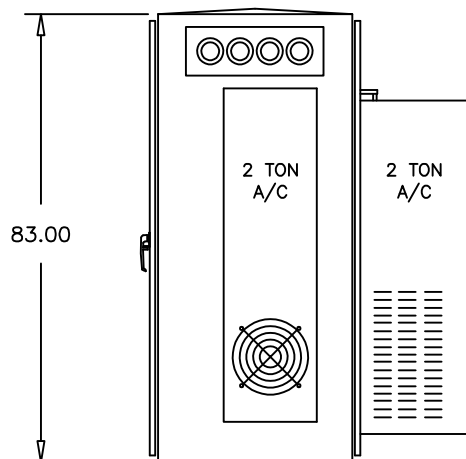


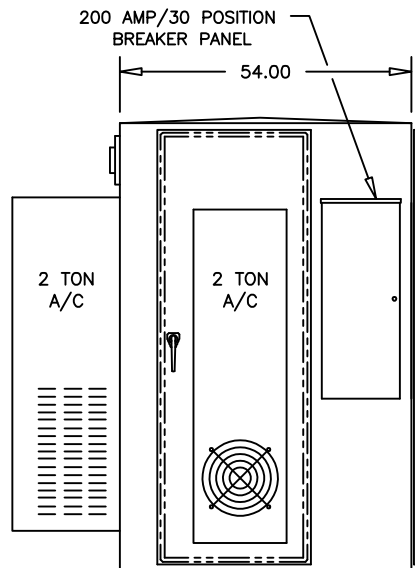
TOP VIEW



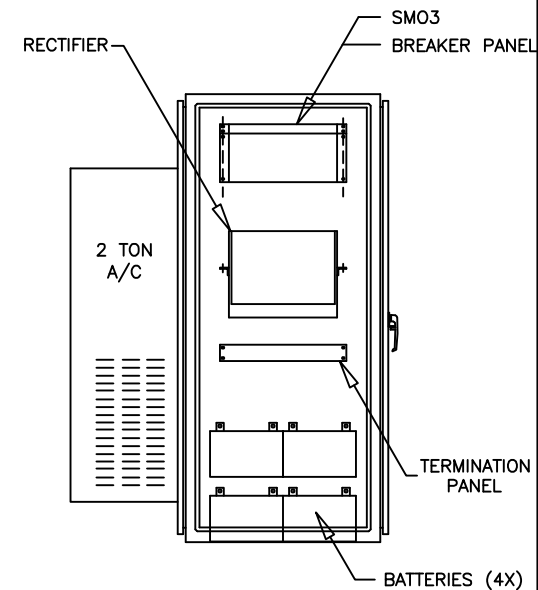
SECTION A-A



END VIEW



FRONT VIEW




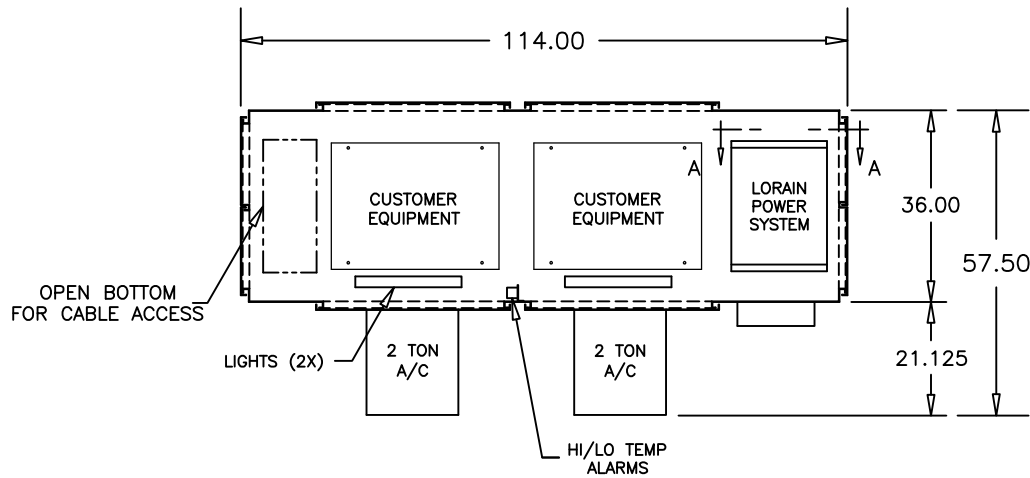
END VIEW
(DOOR REMOVED FOR CLARITY)

NOTES:
 CABINET BUILT OF 12GA STEEL TO NEMA 3R SPECS.
 EPOXY FINISH, BEIGE.
 CABINET INSULATED WITH "R4" INSULATION

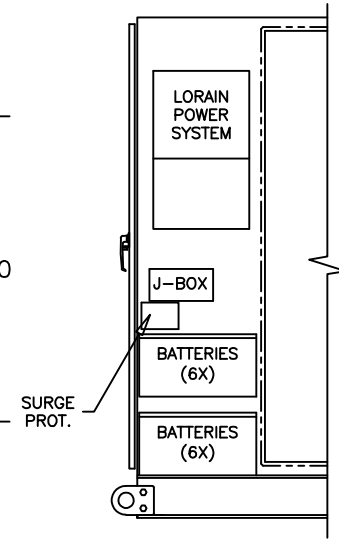
**PROPRIETARY
 PROPOSAL**

**** PROPRIETARY AND CONFIDENTIAL ****
 THIS DOCUMENT AND THE INFORMATION
 HEREIN IS THE SOLE PROPERTY OF
 SUN WEST ENGINEERING INC.
 DUPLICATION OF THIS INFORMATION WITHOUT
 PRIOR CONSENT OF SUN WEST ENGINEERING
 IS FORBIDDEN.

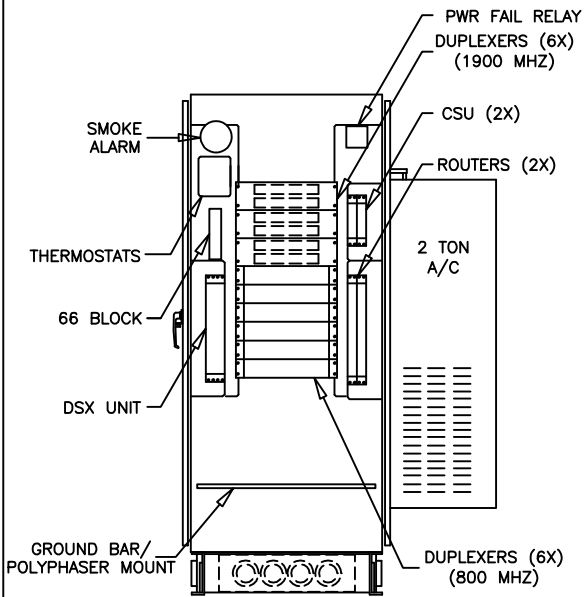
		SUN WEST ENGINEERING, INC. <small>8802 E. BROADWAY, PHOENIX, AZ. 85040 (602) 275-0862</small>	
		TITLE: 2 BAY OUTDOOR EQUIPMENT CABINET WITH (2) 2 TON A/C'S	
CUSTOMER:		SHEET: 1 of 1	
PLOTTED SCALE: .XXXX=1		DATE DRAWN: 6-21-11	
DRAWN BY: <i>SW</i>		DWG. No. SW-3810	
REV:			



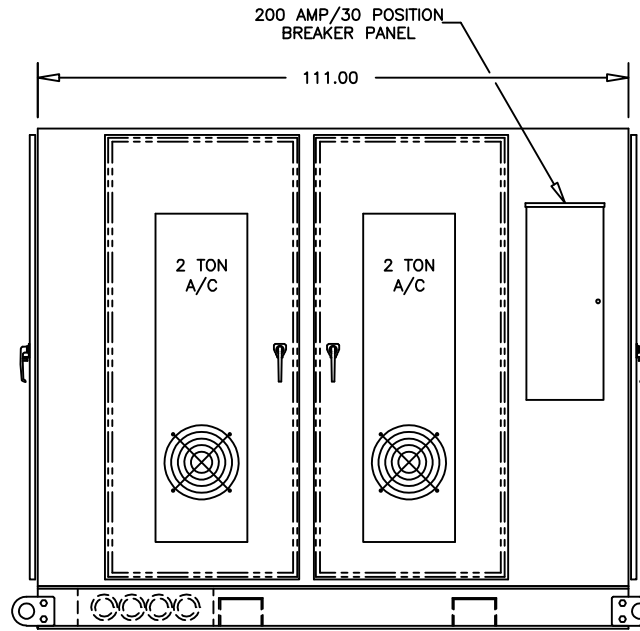
TOP VIEW



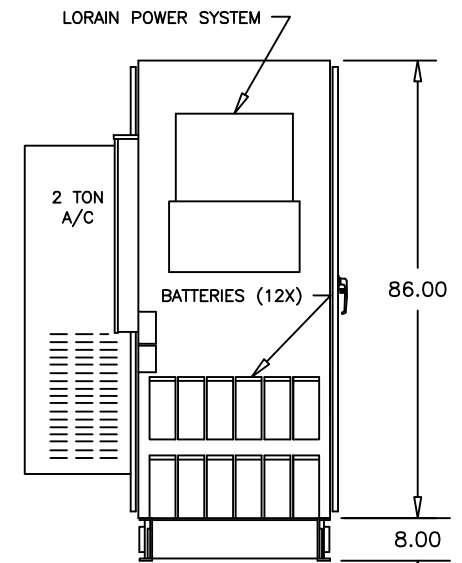
SECTION A-A



END VIEW
(DOOR REMOVED FOR CLARITY)



FRONT VIEW



END VIEW
(DOOR REMOVED FOR CLARITY)

NOTES:

CABINET BUILT OF 12GA STEEL TO NEMA 3R SPECS.
EPOXY FINISH, BEIGE.
CABINET INSULATED WITH "R4" INSULATION

**PROPRIETARY
PROPOSAL**

**** PROPRIETARY AND CONFIDENTIAL ****

THIS DOCUMENT AND THE INFORMATION
HEREIN IS THE SOLE PROPERTY OF
SUN WEST ENGINEERING INC.
DUPLICATION OF THIS INFORMATION WITHOUT
PRIOR CONSENT OF SUN WEST ENGINEERING
IS FORBIDDEN.



SUN WEST ENGINEERING, INC.
3802 E. BROADWAY, PHOENIX, AZ. 85040 (602) 276-0882

TITLE:
2 BAY OUTDOOR EQUIPMENT CABINET
WITH (2) 2 TON A/C'S

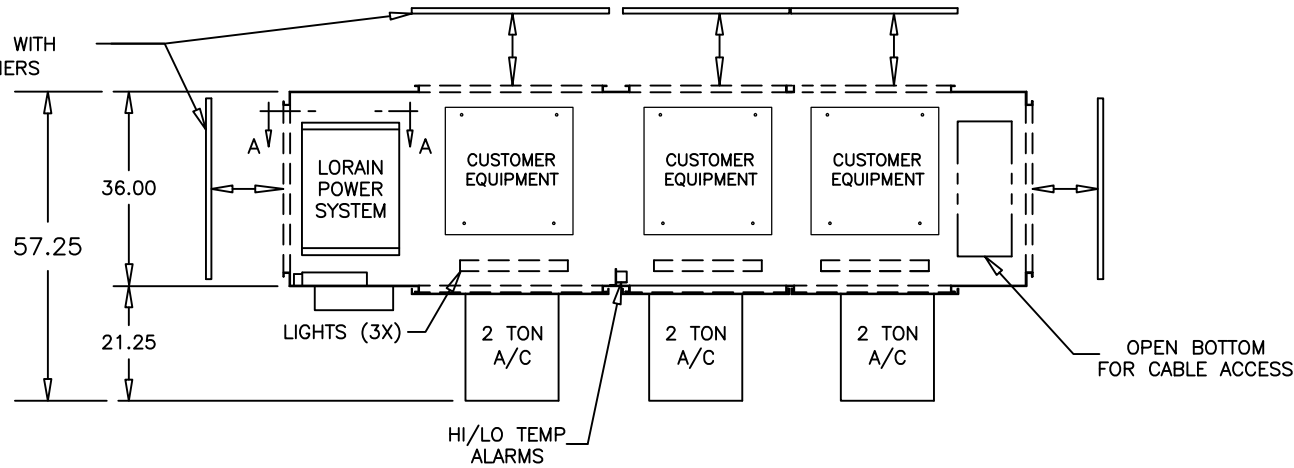
CUSTOMER:

PLOTTED SCALE: .XXXX=1 SHEET: 1 of 1

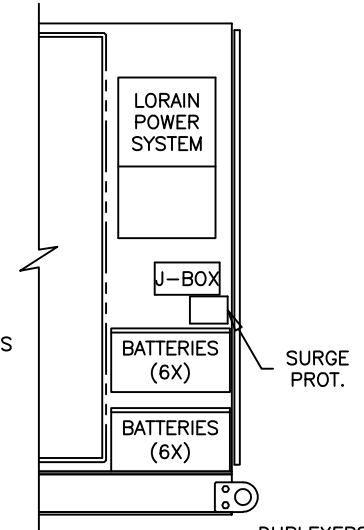
DRAWN BY: *WV* DATE DRAWN: 6-21-11

REV: DWG. No. SW-3811

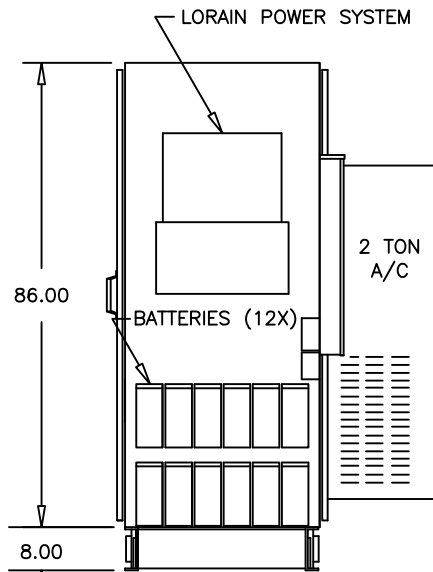
PADLOCKABLE
REMOVABLE PANELS WITH
1/4 TURN FASTENERS



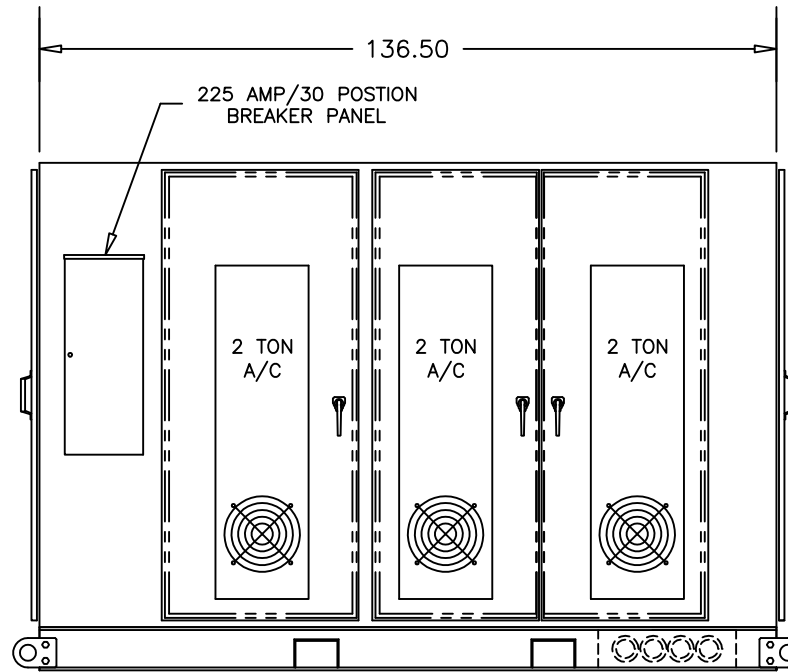
TOP VIEW



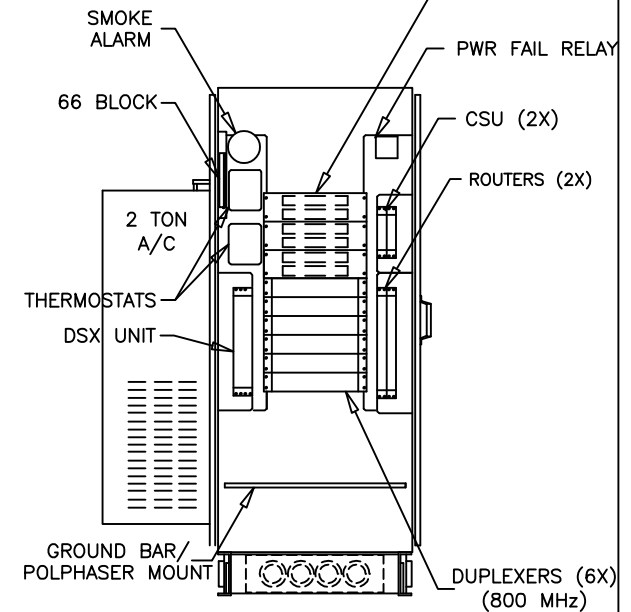
SECTION A-A
DUPLEXERS (6X)
(1900 MHz)



END VIEW
(DOOR REMOVED FOR CLARITY)



FRONT VIEW



END VIEW
(DOOR REMOVED FOR CLARITY)

NOTES:
CABINET BUILT OF 12GA STEEL TO NEMA 3R SPECS.
EPOXY FINISH, BEIGE.
CABINET INSULATED WITH "R4" INSULATION

**PROPRIETARY
PROPOSAL**

**** PROPRIETARY AND CONFIDENTIAL ****

THIS DOCUMENT AND THE INFORMATION
HEREIN IS THE SOLE PROPERTY OF
SUN WEST ENGINEERING INC.
DUPLICATION OF THIS INFORMATION WITHOUT
PRIOR CONSENT OF SUN WEST ENGINEERING
IS FORBIDDEN.



SUN WEST ENGINEERING, INC.
3802 E. BROADWAY, PHOENIX, AZ. 85040 (602) 275-0682

TITLE: 3 BAY OUTDOOR EQUIPMENT CABINET
WITH (3) 2 TON A/C'S

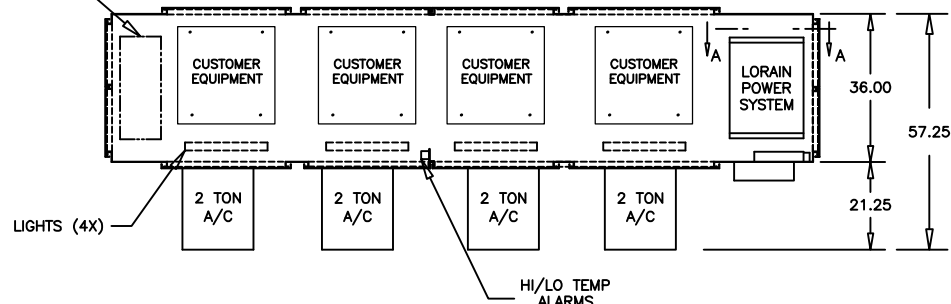
CUSTOMER:

PLOTTED SCALE: .XXXX=1 SHEET: 1 of 1

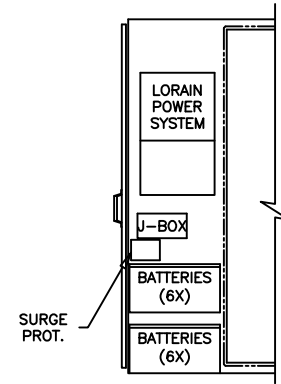
DRAWN BY: *WV* DATE DRAWN: 6-21-11

REV: DWG. No. SW-3812

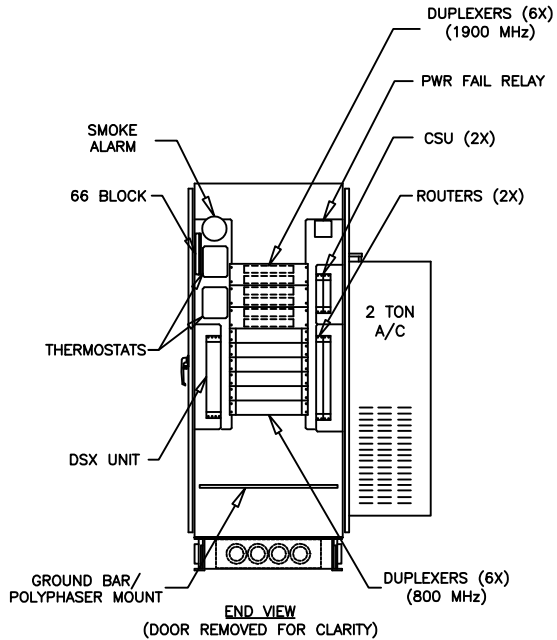
OPEN BOTTOM
FOR CABLE ACCESS



TOP VIEW

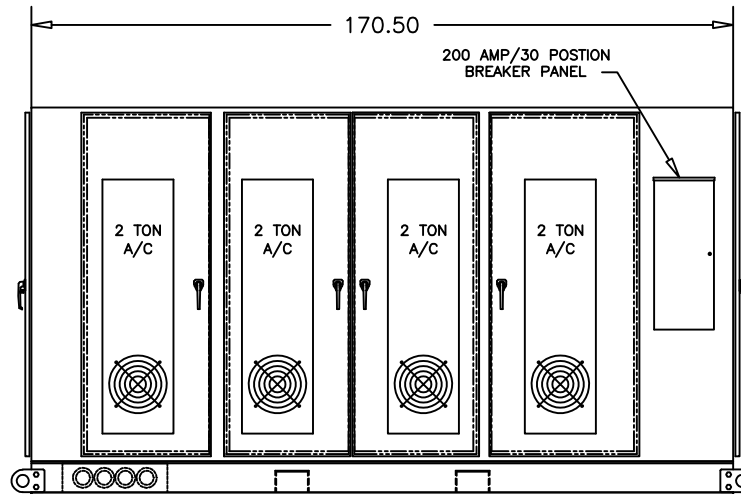


SECTION A-A

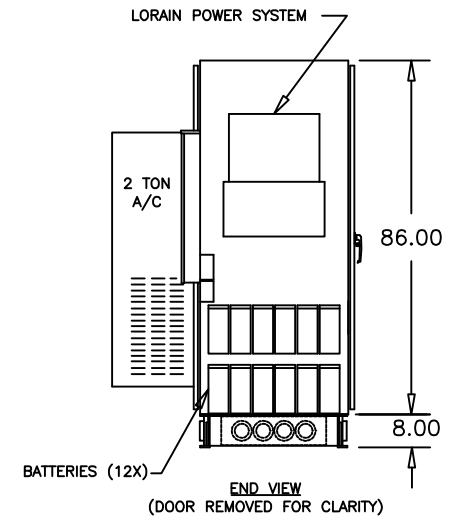


END VIEW

(DOOR REMOVED FOR CLARITY)



FRONT VIEW



END VIEW

(DOOR REMOVED FOR CLARITY)

NOTES:

- CABINET BUILT OF 12GA STEEL TO NEMA 3R SPECS.
- EXPOXY FINISH, BEIGE.
- CABINET INSULATED WITH "R4" INSULATION

**PROPRIETARY
PROPOSAL**

**** PROPRIETARY AND CONFIDENTIAL ****

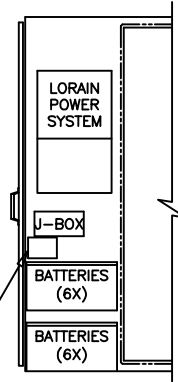
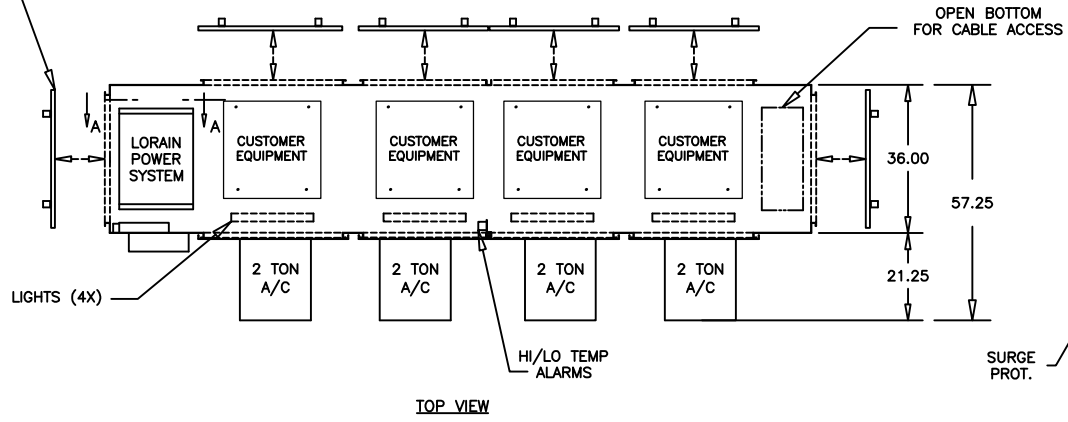
THIS DOCUMENT AND THE INFORMATION
HEREIN IS THE SOLE PROPERTY OF
SUN WEST ENGINEERING INC.
DUPLICATION OF THIS INFORMATION WITHOUT
PRIOR CONSENT OF SUN WEST ENGINEERING
IS FORBIDDEN.



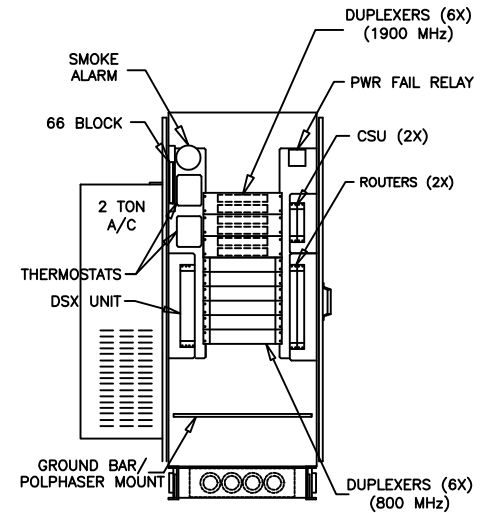
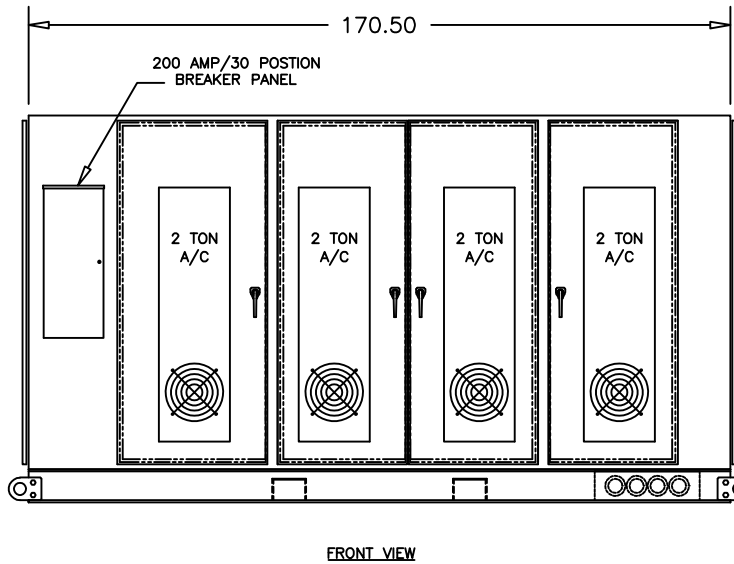
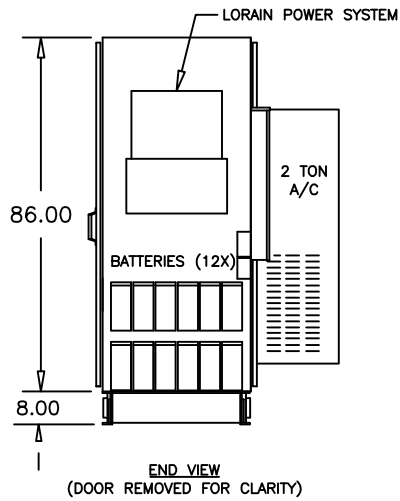
SUN WEST ENGINEERING, INC.
3802 E. BROADWAY, PHOENIX, AZ. 85040 (602) 275-0662

TITLE: 4 BAY OUTDOOR EQUIPMENT CABINET	
CUSTOMER:	
PLOTTED SCALE: .XXXX=1	SHEET: 1 of 1
DRAWN BY: <i>WV</i>	DATE DRAWN: 6-21-11
REVISED:	DWG. No. SW-3813

PADLOCKABLE
REMOVABLE PANELS WITH
1/4 TURN FASTENERS



SECTION A-A



**PROPRIETARY
PROPOSAL**

**** PROPRIETARY AND CONFIDENTIAL ****

THIS DOCUMENT AND THE INFORMATION
HEREIN IS THE SOLE PROPERTY OF
SUN WEST ENGINEERING INC.
DUPLICATION OF THIS INFORMATION WITHOUT
PRIOR CONSENT OF SUN WEST ENGINEERING
IS FORBIDDEN.

NOTES:
CABINET BUILT OF 12GA STEEL TO NEMA 3R SPECS.
EPOXY FINISH, BEIGE.
CABINET INSULATED WITH "R4" INSULATION



SUN WEST ENGINEERING, INC.
3802 E. BROADWAY, PHOENIX, AZ. 85040 (602) 275-0662

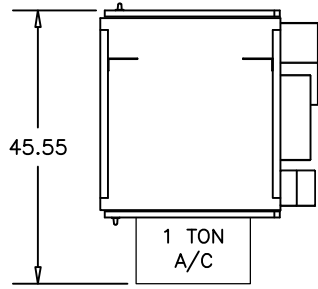
TITLE:
4 BAY OUTDOOR EQUIPMENT CABINET

CUSTOMER:

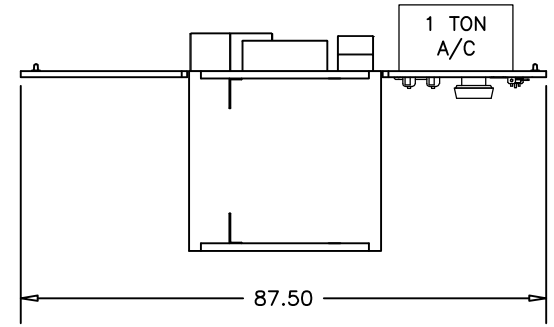
PLOTTED SCALE: .XXXX=1 SHEET: 1 of 1

DRAWN BY: *WV* DATE DRAWN: 6-21-11

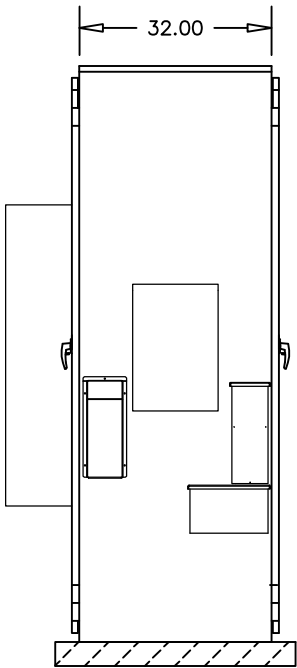
REVISED: DWG. No. SW-3814



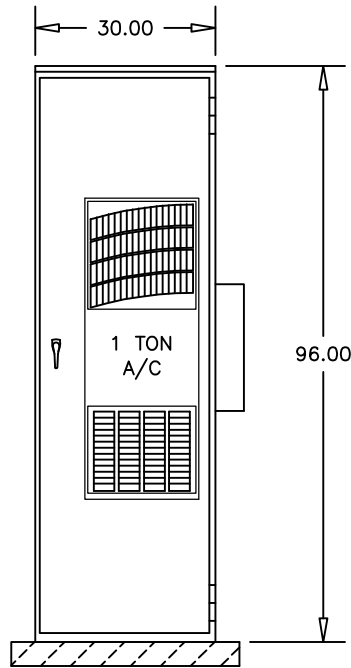
TOP VIEW



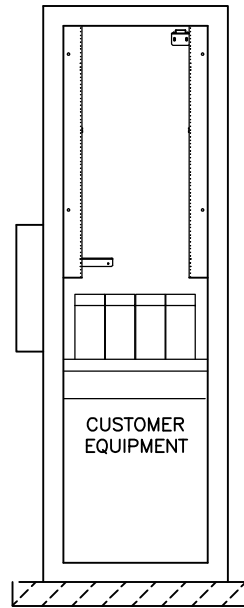
TOP VIEW
(DOORS OPEN)



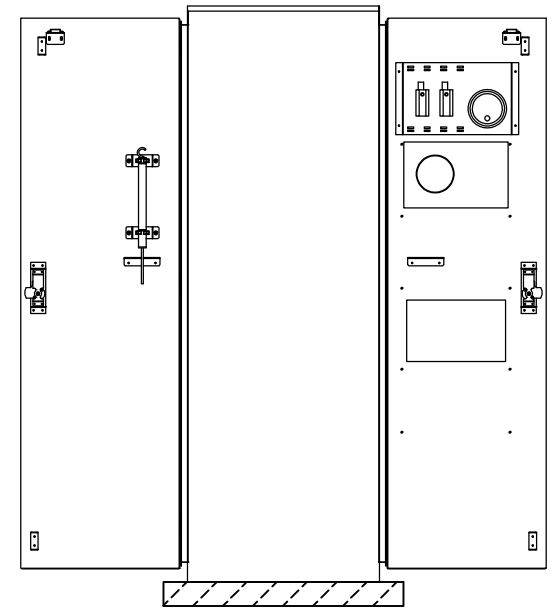
SIDE VIEW



FRONT VIEW



FRONT VIEW
DOOR REMOVED



FRONT VIEW
DOORS OPEN

**PROPRIETARY
PROPOSAL**

**** PROPRIETARY AND CONFIDENTIAL ****

THIS DOCUMENT AND THE INFORMATION
HEREIN IS THE SOLE PROPERTY OF
SUN WEST ENGINEERING INC.
DUPLICATION OF THIS INFORMATION WITHOUT
PRIOR CONSENT OF SUN WEST ENGINEERING
IS FORBIDDEN.



SUN WEST ENGINEERING, INC.

3802 E. BROADWAY, PHOENIX, AZ 85040 (602) 275-0662

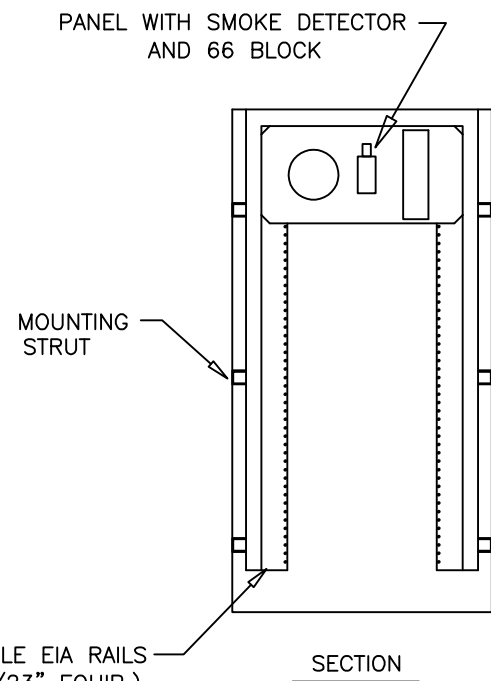
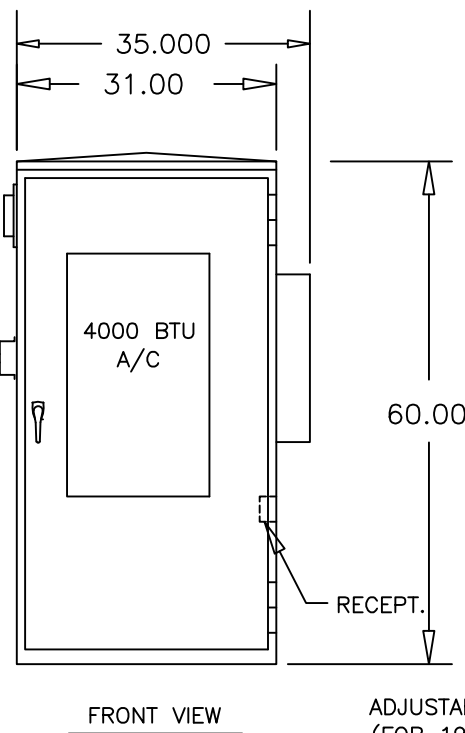
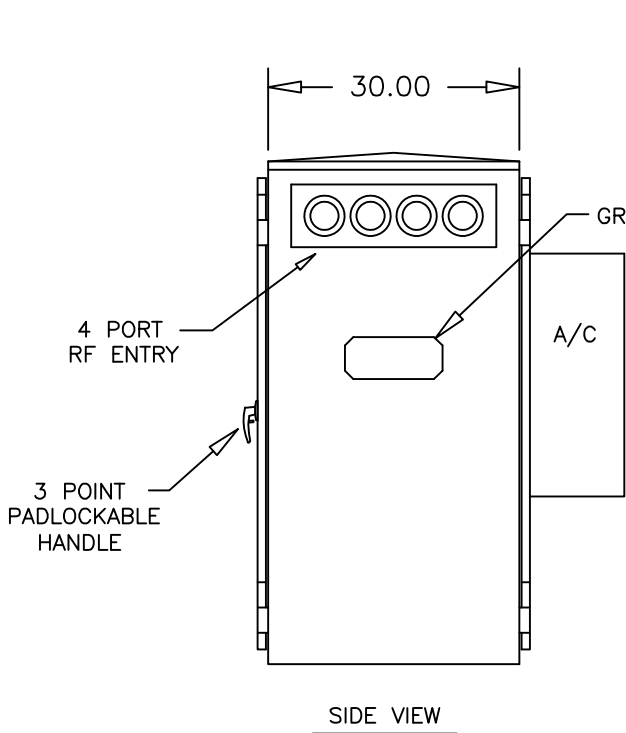
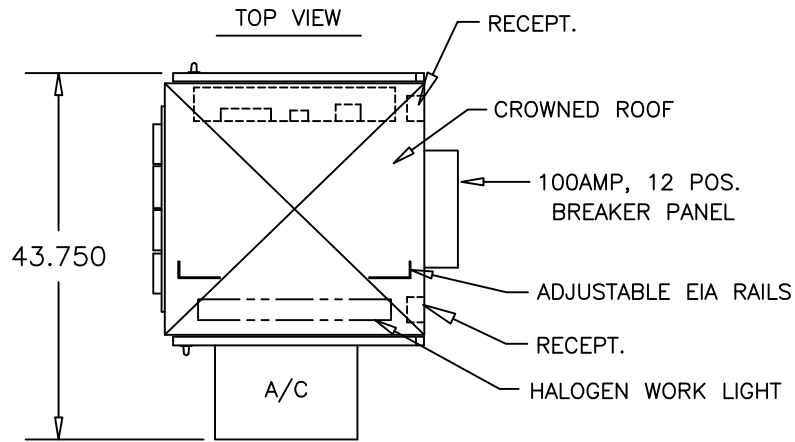
TITLE:
OUTDOOR EQUIPMENT CABINET

CUSTOMER:

PLOTTED SCALE: .XXXX=1 SHEET: 1 of 1

DRAWN BY: *WV* DATE DRAWN: 6-21-11

REVISED: DWG. No. SW-3815



PROPRIETARY PROPOSAL

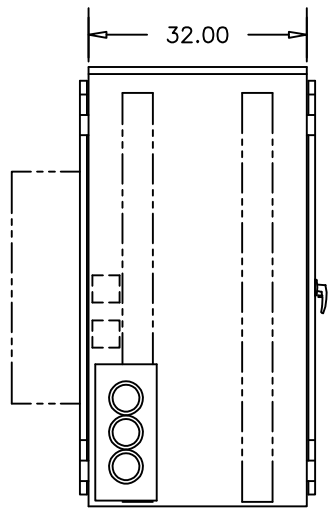
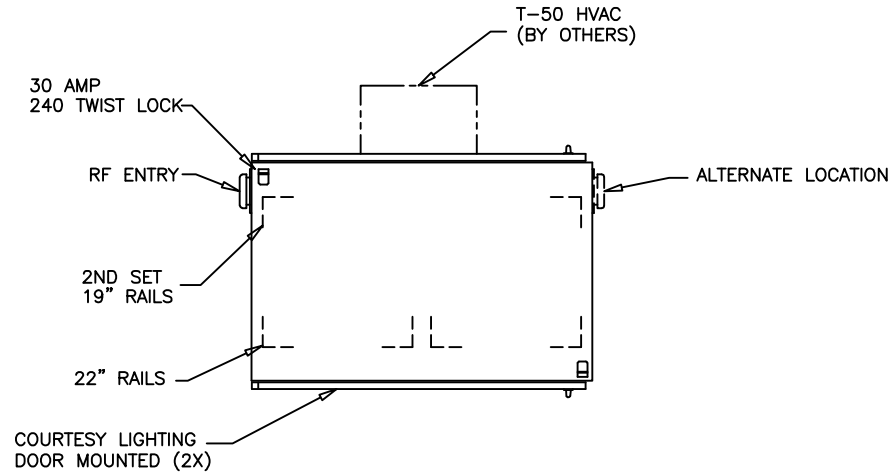
**** PROPRIETARY AND CONFIDENTIAL ****

THIS DOCUMENT AND THE INFORMATION HEREIN IS THE SOLE PROPERTY OF SUN WEST ENGINEERING INC. DUPLICATION OF THIS INFORMATION WITHOUT PRIOR CONSENT OF SUN WEST ENGINEERING IS FORBIDDEN.

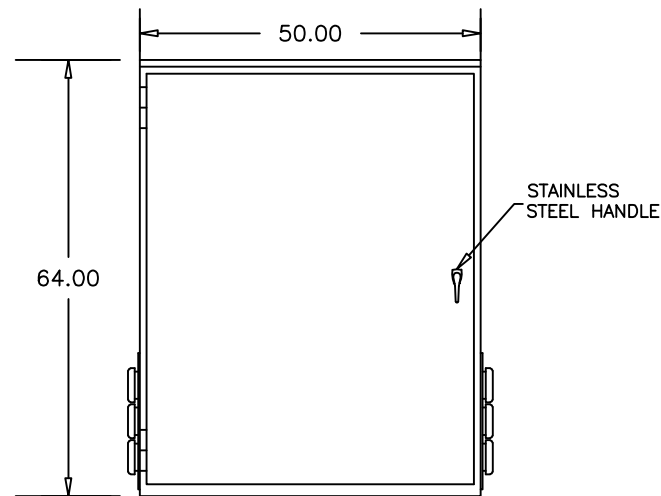
NOTES:
 CABINET BUILT OF .125 THK ALUMINUM TO NEMA 3R SPECS. WITH WHITE POWDER COAT FINISH



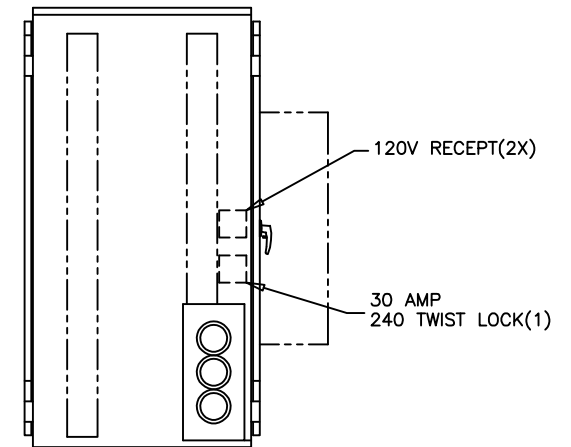
SUN WEST ENGINEERING, INC.	
3802 E. BROADWAY, PHOENIX, AZ 85040 (602) 275-0662	
TITLE: OUTDOOR EQUIPMENT CABINET	
CUSTOMER:	
PLOTTED SCALE: .XXXX=1	SHEET: 1 of 1
DRAWN BY: <i>WV</i>	DATE DRAWN: 6-21-11
REVISED:	DWG. No. SW-3816



SIDE VIEW



FRONT VIEW



SIDE VIEW

NOTES:

CABINET BUILT OF 12GA STEEL TO NEMA 4 SPECS., RATED NEMA 3R.
WITH POWDER COAT FINISH

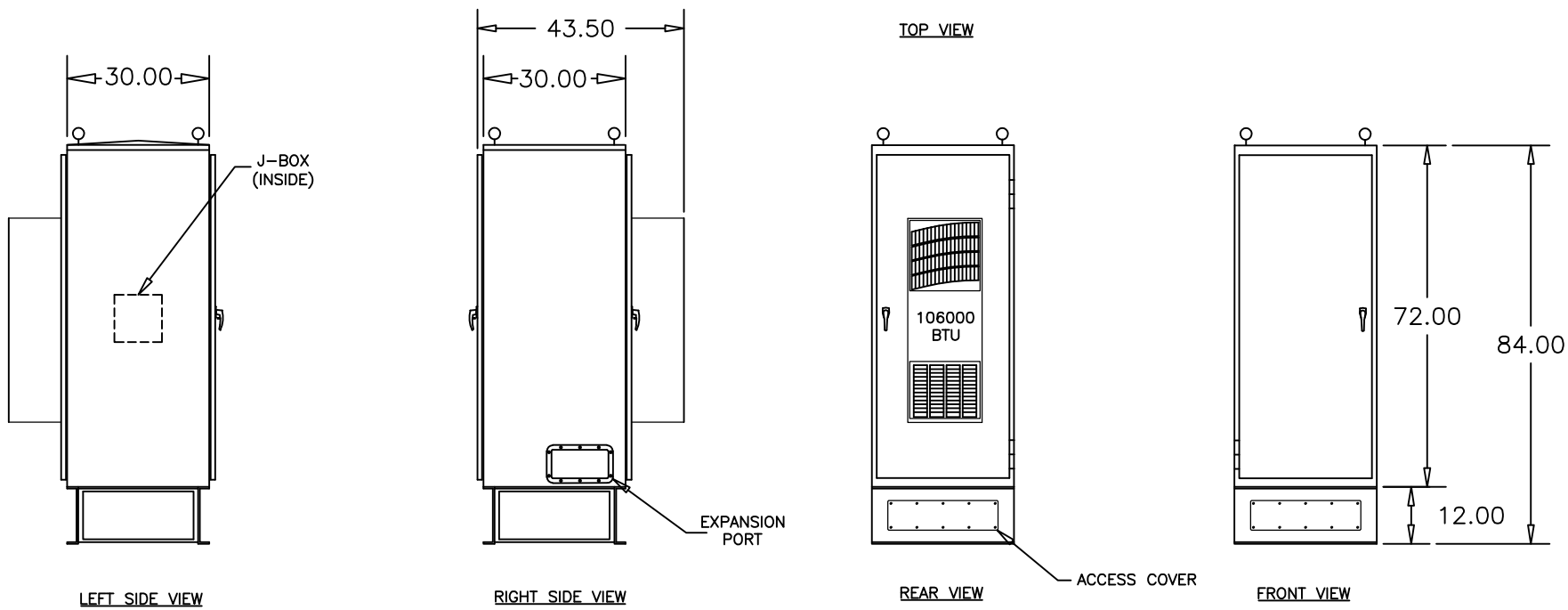
PROPRIETARY PROPOSAL

**** PROPRIETARY AND CONFIDENTIAL ****

THIS DOCUMENT AND THE INFORMATION HEREIN IS THE SOLE PROPERTY OF SUN WEST ENGINEERING INC. DUPLICATION OF THIS INFORMATION WITHOUT PRIOR CONSENT OF SUN WEST ENGINEERING IS FORBIDDEN.




SUN WEST ENGINEERING, INC.	
3802 E. BROADWAY, PHOENIX, AZ 85040 (602) 275-0882	
TITLE: EQUIPMENT CABINET	
CUSTOMER:	
PLOTTED SCALE: .XXXX=1	SHEET: 1 of 1
DRAWN BY: <i>HJM</i>	DATE DRAWN: 3-7-11
REVISED:	DWG. No. SW-3626



NOTES:
 CABINET BUILT OF .125 ALUM TO NEMA 4 SPECS., RATED 3R.
 POWDER FINISH

**PROPRIETARY
 PROPOSAL**

**** PROPRIETARY AND CONFIDENTIAL ****
 THIS DOCUMENT AND THE INFORMATION
 HEREIN IS THE SOLE PROPERTY OF
 SUN WEST ENGINEERING INC.
 DUPLICATION OF THIS INFORMATION WITHOUT
 PRIOR CONSENT OF SUN WEST ENGINEERING
 IS FORBIDDEN.

		SUN WEST ENGINEERING, INC. 3802 E. BROADWAY Rd., PHOENIX, AZ 85040 (602) 271-2113	
		TITLE: ZONE 4 EQUIPMENT CABINET	
CUSTOMER:			
PLOTTED SCALE: .XXXX=1	SHEET: 1 of 1		
DRAWN BY: <i>WV</i>	DATE DRAWN: 6-21-11		
REVISED:	DWG. No. SW-3817		