


**PROPRIETARY
PROPOSAL**

**** PROPRIETARY AND CONFIDENTIAL ****

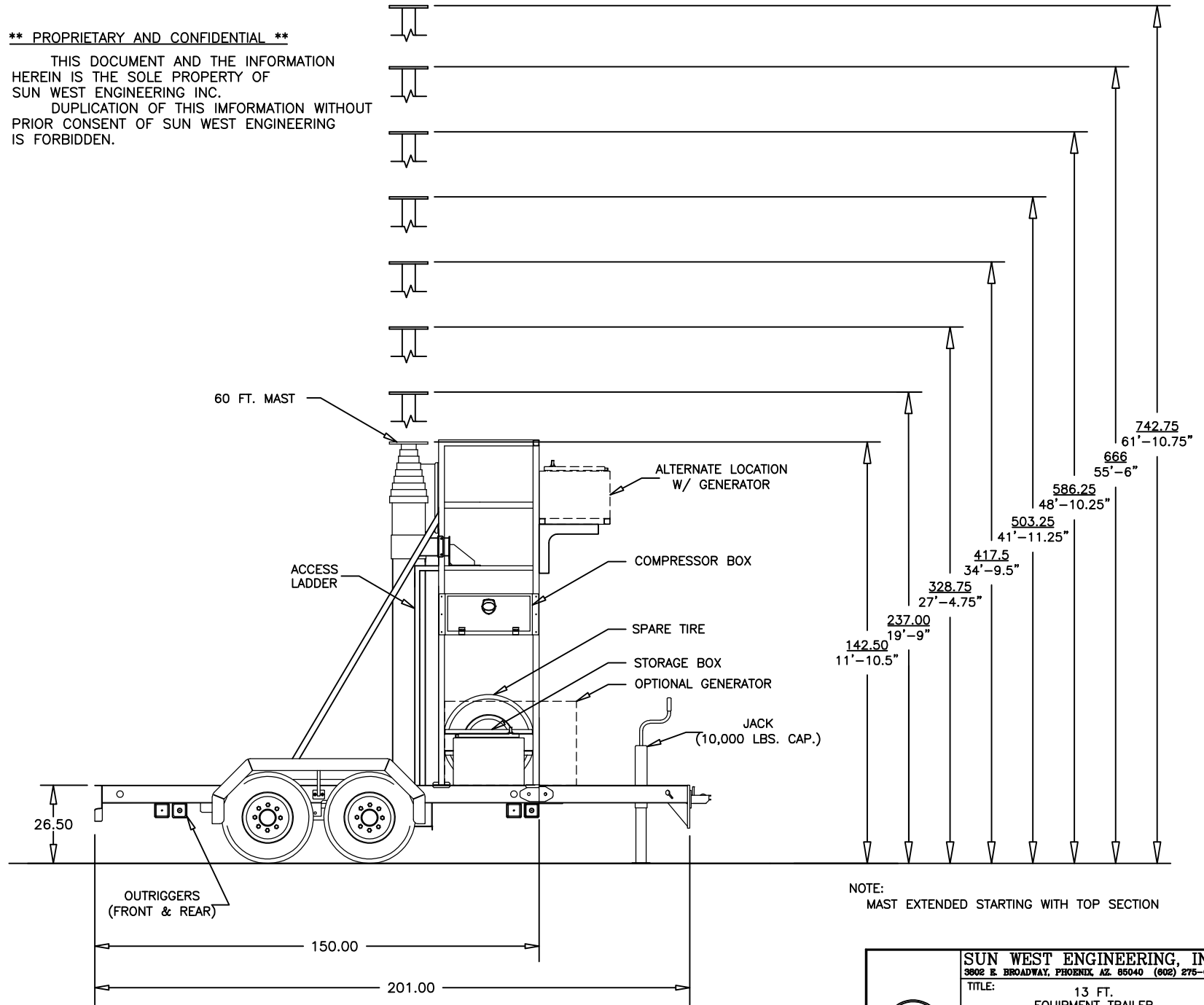
THIS DOCUMENT AND THE INFORMATION
HEREIN IS THE SOLE PROPERTY OF
SUN WEST ENGINEERING INC.
DUPLICATION OF THIS INFORMATION WITHOUT
PRIOR CONSENT OF SUN WEST ENGINEERING
IS FORBIDDEN.

		SUN WEST ENGINEERING, INC. 3802 E. BROADWAY, PHOENIX, AZ. 85040 (602) 275-0662	
		TITLE: 13 FT. EQUIPMENT TRAILER	
CUSTOMER:			
PLOTTED SCALE: .XXXX=1	SHEET: 1 of 1		
DRAWN BY: <i>WV</i>	DATE DRAWN: 5-10-11		
REVISED:	DWG. No. SW-3718		


**PROPRIETARY
PROPOSAL**

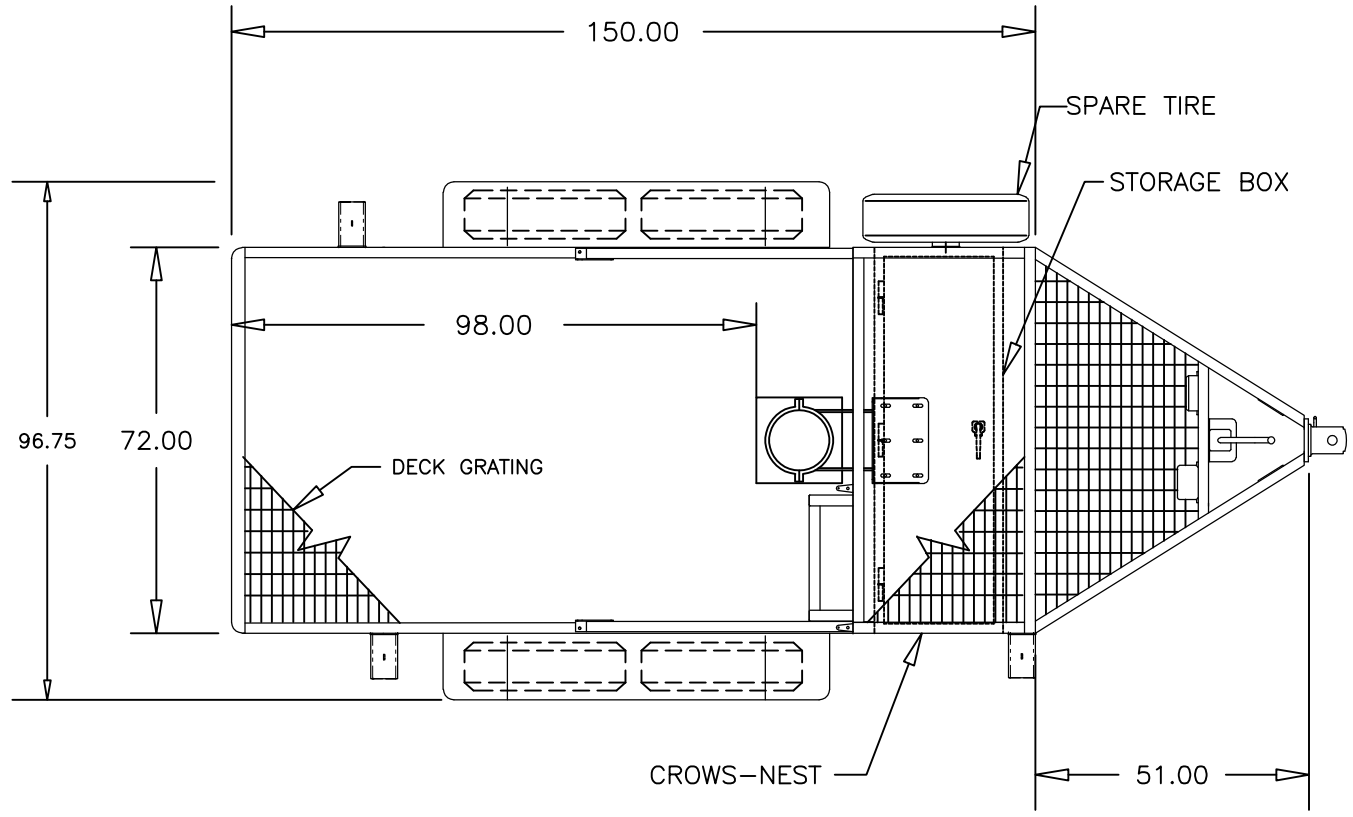
**** PROPRIETARY AND CONFIDENTIAL ****

THIS DOCUMENT AND THE INFORMATION
HEREIN IS THE SOLE PROPERTY OF
SUN WEST ENGINEERING INC.
DUPLICATION OF THIS INFORMATION WITHOUT
PRIOR CONSENT OF SUN WEST ENGINEERING
IS FORBIDDEN.



NOTE:
MAST EXTENDED STARTING WITH TOP SECTION

		SUN WEST ENGINEERING, INC. 3802 E. BROADWAY, PHOENIX, AZ. 85040 (602) 275-0662	
		TITLE: 13 FT. EQUIPMENT TRAILER	
CUSTOMER:			
PLOTTED SCALE: .XXXX=1	SHEET: 1 of 1		
DRAWN BY: <i>WV</i>	DATE DRAWN: 5-10-11		
REVISED:	DWG. No. SW-3717		



**PROPRIETARY
PROPOSAL**

**** PROPRIETARY AND CONFIDENTIAL ****

THIS DOCUMENT AND THE INFORMATION
HEREIN IS THE SOLE PROPERTY OF
SUN WEST ENGINEERING INC.

DUPLICATION OF THIS INFORMATION WITHOUT
PRIOR CONSENT OF SUN WEST ENGINEERING
IS FORBIDDEN.



SUN WEST ENGINEERING, INC.

3802 E. BROADWAY, PHOENIX, AZ 85040 (602) 275-0862

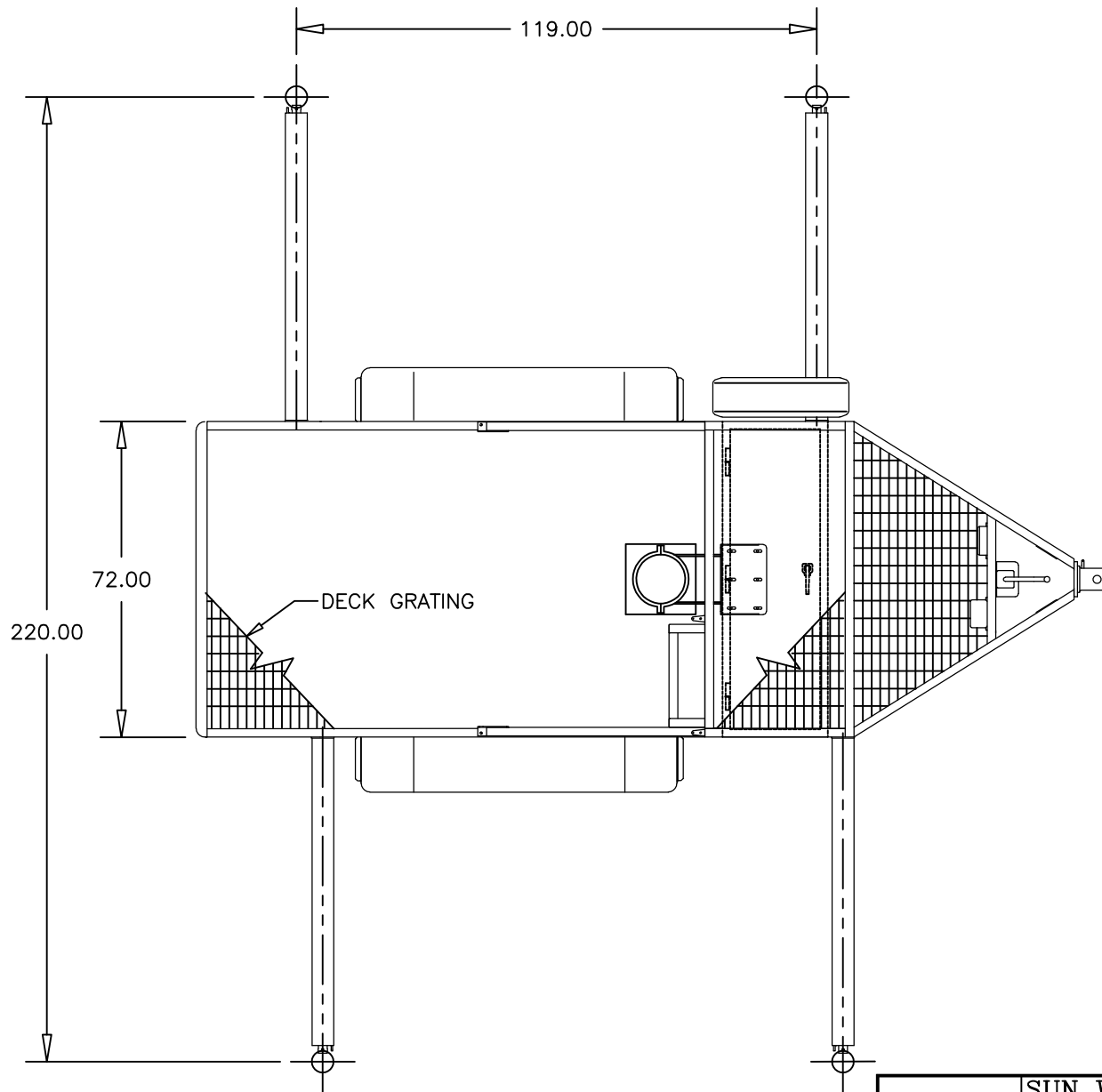
TITLE: SUN WEST 13' EQUIPMENT TRAILER
TOP VIEW

CUSTOMER:

PLOTTED SCALE: .XXXX=1 SHEET: 1 of 1

DRAWN BY: *WV* DATE DRAWN: 5-10-11

REVISED: DWG. No. SW-3720



**PROPRIETARY
PROPOSAL** 

**** PROPRIETARY AND CONFIDENTIAL ****

THIS DOCUMENT AND THE INFORMATION
HEREIN IS THE SOLE PROPERTY OF
SUN WEST ENGINEERING INC.
DUPLICATION OF THIS INFORMATION WITHOUT
PRIOR CONSENT OF SUN WEST ENGINEERING
IS FORBIDDEN.



SUN WEST ENGINEERING, INC.
3802 E. BROADWAY, PHOENIX, AZ 85040 (802) 275-0662

TITLE: EQUIPMENT TRAILER
TOP VIEW OF OUTRIGGER EXTENDED

CUSTOMER:

PLOTTED SCALE: .XXXX=1 SHEET: 1 of 1

DRAWN BY: *WV* DATE DRAWN: 05-10-11

REVISED: DWG. No. SW-3719