



SUN WEST ENGINEERING, INC.®

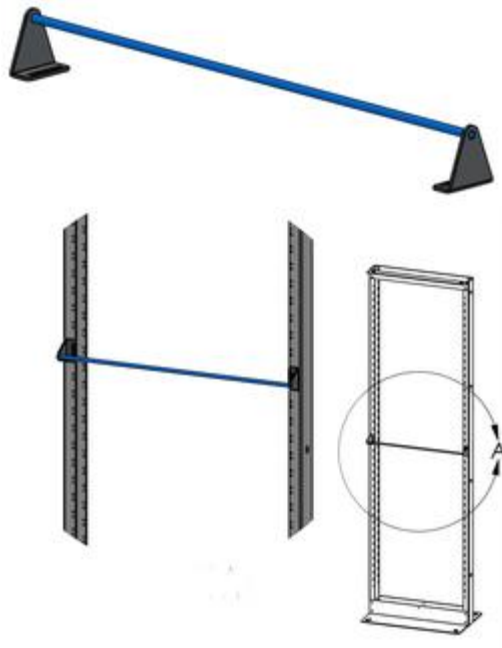
3802 E. BROADWAY Rd. PHOENIX, AZ 85040

PHONE: (602) 275-0662

FAX: (602) 276-2113

MAIL@SUNWESTENG.COM

19" & 23" Wire Tie Brackets



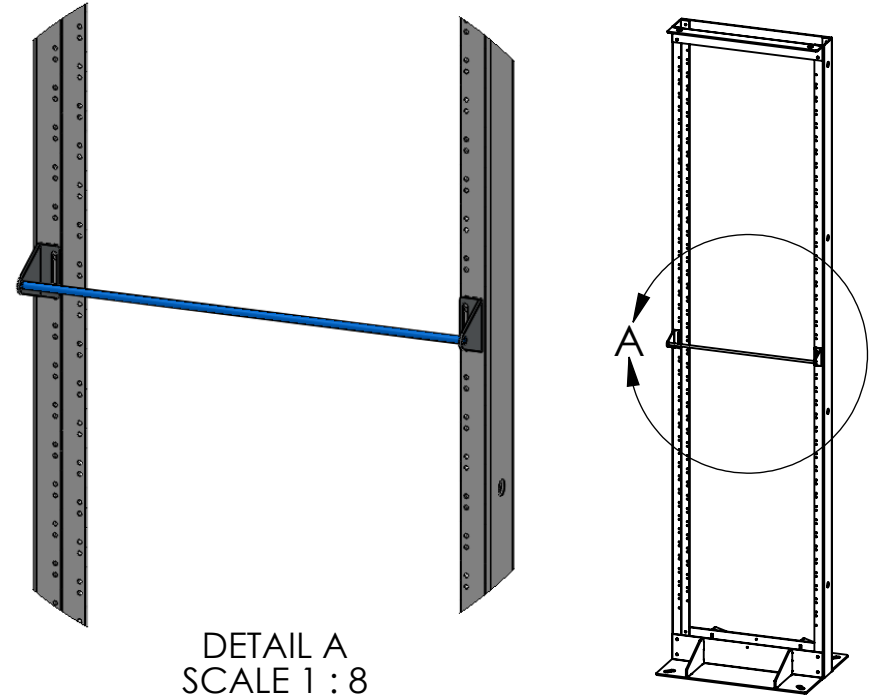
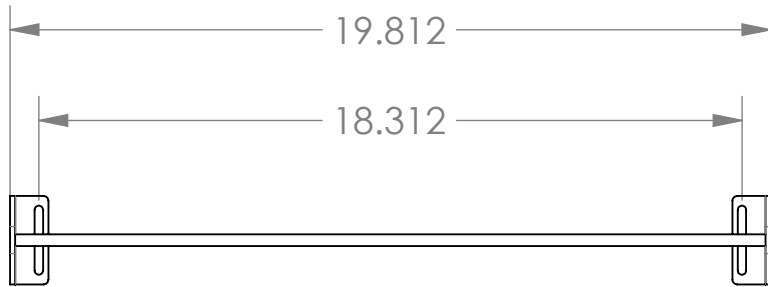
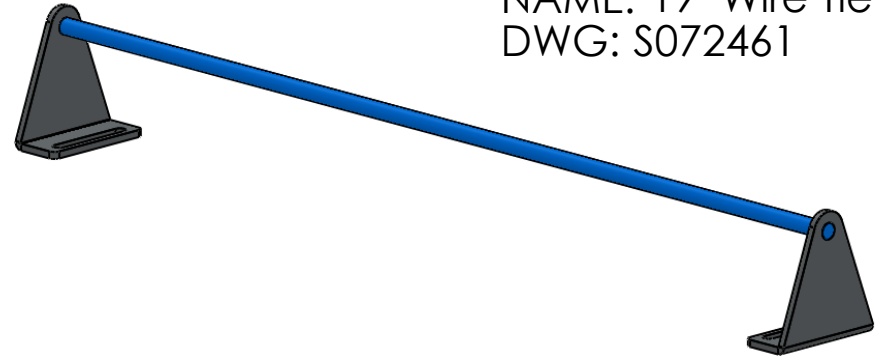
Sun West offers 19" and 23" wire tie brackets for proper cable management on relay racks.

Features:

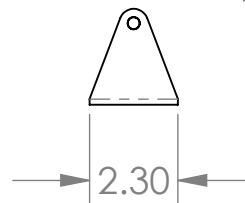
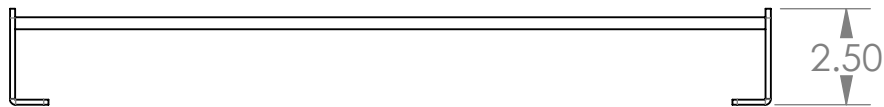
- 10 ga Steel Ends
- 5/16" Rod
- Powder Coated ANSI 61 Gray

Please refer to the attached drawings and full specifications. Please consult factory for special configuration options.

NAME: 19" Wire Tie
DWG: S072461



DETAIL A
SCALE 1 : 8



PROPRIETARY
PROPOSAL

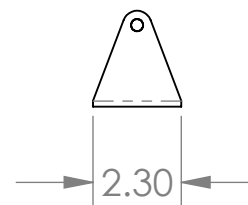
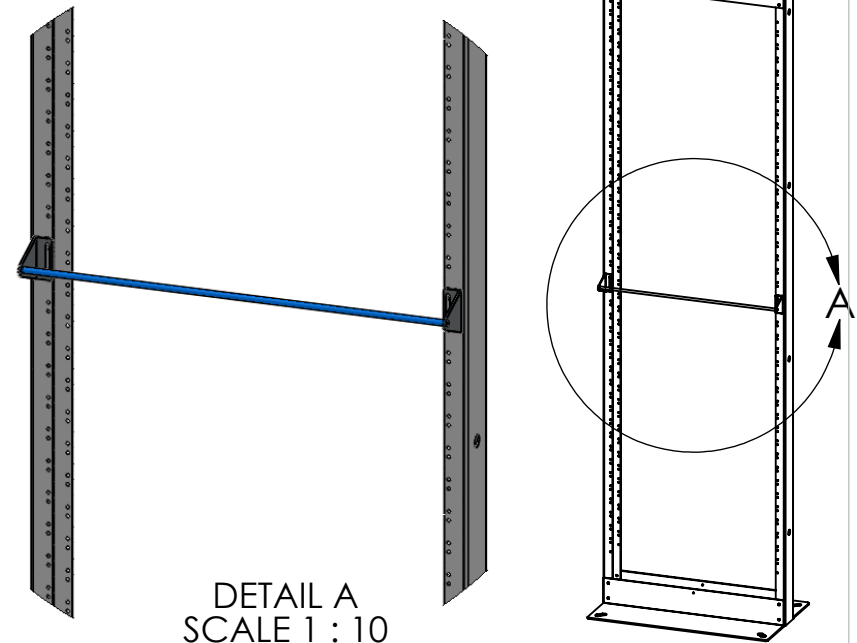
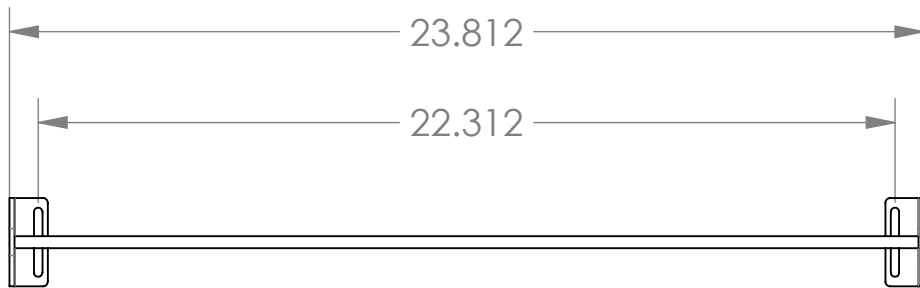
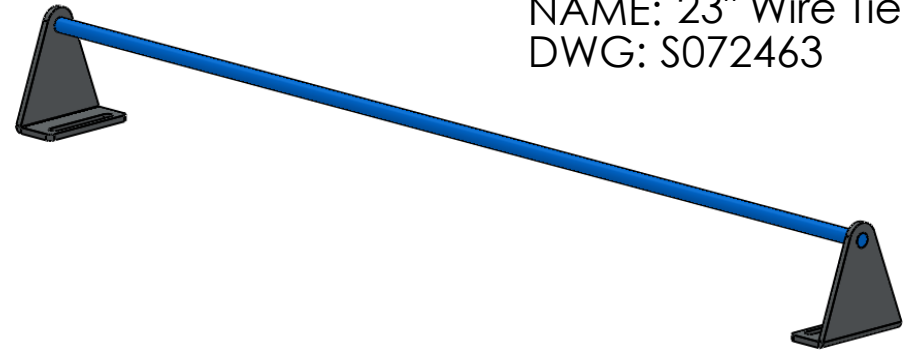
**** PROPRIETARY AND CONFIDENTIAL ****
Copyright © 2015 Sun West Engineering, Inc.

THIS PROPOSAL CONTAINS TRADE SECRETS AND OTHER PROPRIETARY AND CONFIDENTIAL INFORMATION OF SUN WEST ENGINEERING, INC.

THIS DOCUMENT AND ITS CONTENTS, INCLUDING WITHOUT LIMITATION THE DRAWINGS AND OTHER INFORMATION HEREIN, ARE THE SOLE AND EXCLUSIVE PROPERTY OF SUN WEST ENGINEERING, INC.

VIOLATIONS OF THESE TERMS SHALL BE PROSECUTED TO THE FULLEST EXTEN OF THE LAW.

NAME: 23" Wire Tie
DWG: S072463



PROPRIETARY
PROPOSAL

**** PROPRIETARY AND CONFIDENTIAL ****
Copyright © 2015 Sun West Engineering, Inc.

THIS PROPOSAL CONTAINS TRADE SECRETS AND OTHER PROPRIETARY AND CONFIDENTIAL INFORMATION OF SUN WEST ENGINEERING, INC.

THIS DOCUMENT AND ITS CONTENTS, INCLUDING WITHOUT LIMITATION THE DRAWINGS AND OTHER INFORMATION HEREIN, ARE THE SOLE AND EXCLUSIVE PROPERTY OF SUN WEST ENGINEERING, INC.

VIOLATIONS OF THESE TERMS SHALL BE PROSECUTED TO THE FULLEST EXTENT OF THE LAW.