



SUN WEST ENGINEERING, INC.®

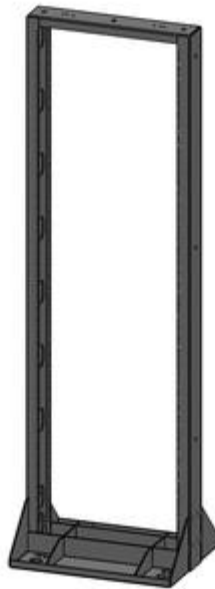
3802 E. BROADWAY Rd. PHOENIX, AZ 85040

PHONE: (602) 275-0662

FAX: (602) 276-2113

MAIL@SUNWESTENG.COM

Zone-4 Relay Racks (19" & 23")



Our Relay Racks are specifically engineered to accommodate Zone 4 installations.

Features include:

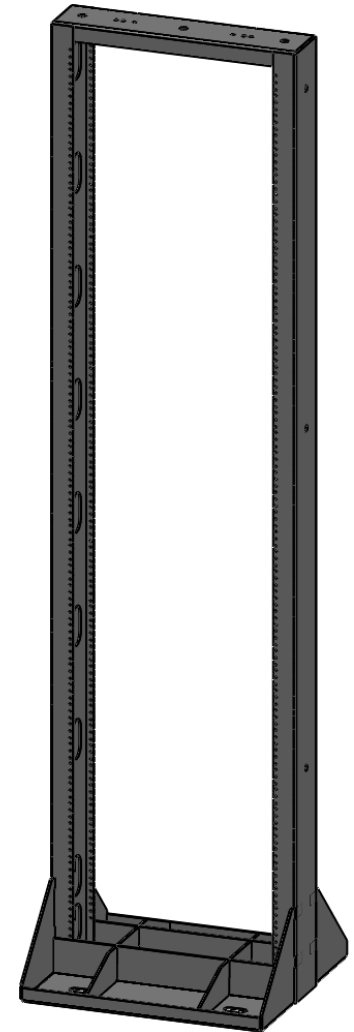
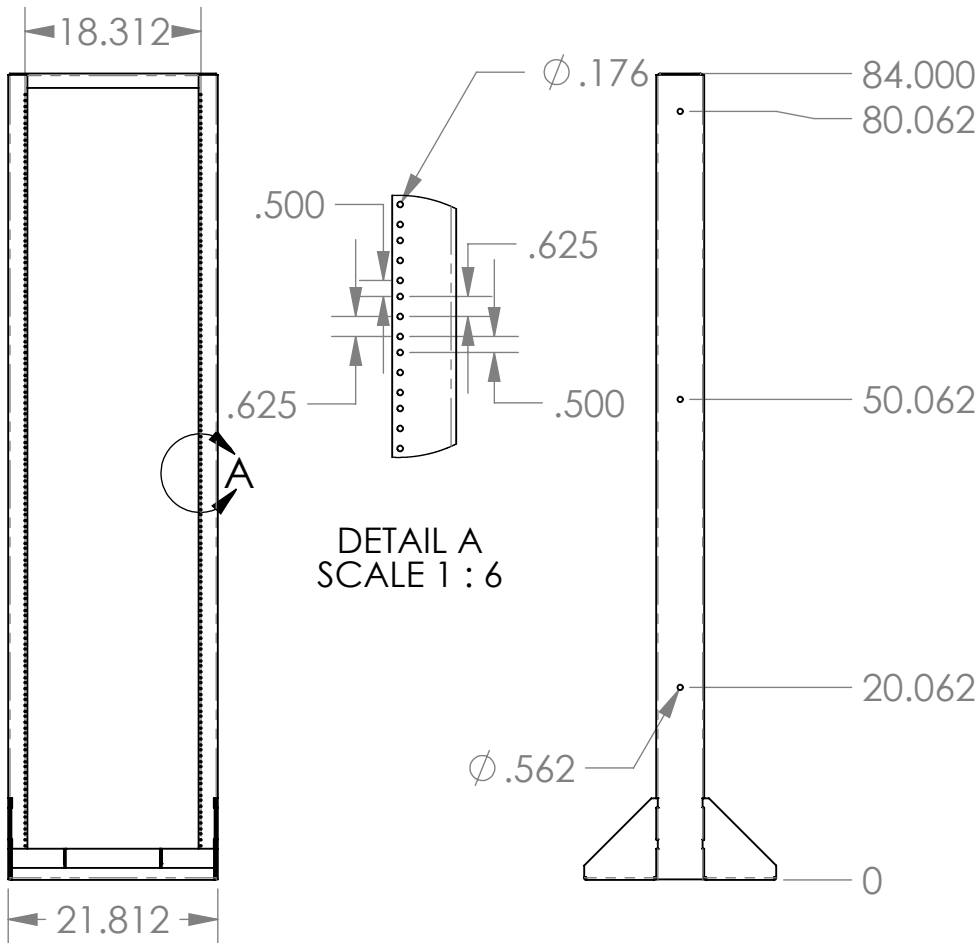
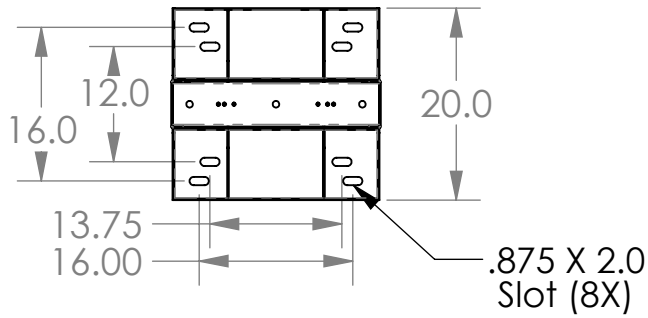
- Welded Construction
- Standard Height 84"
- Standard Width 19" or 23"
- EIA 1-1/4" – 1/2" hole pattern & IBM 5/8" -5/8" 1/2" hole pattern
- .176 Ø Mounting Holes Punched both sides for 12-24 x 3/4" Type "F" Screws (50 each provided with Rack)
- ANSI 61 Gray Finish

All Racks are available in 90", 96" or 120" heights upon request

Our Relay Racks are an industry proven product that have met customer project requirements. Please refer to the attached drawings and full specifications. Please consult factory for special configuration options.

NAME: 19" Z4 Rack
 DWG: S051596

Note: $\phi .176$
 For #12-24X3/4"
 Type "F" Screws



PROPRIETARY
 PROPOSAL

** PROPRIETARY AND CONFIDENTIAL **
 Copyright © 2015 Sun West Engineering, Inc.

THIS PROPOSAL CONTAINS TRADE SECRETS AND OTHER PROPRIETARY AND CONFIDENTIAL INFORMATION OF SUN WEST ENGINEERING, INC.

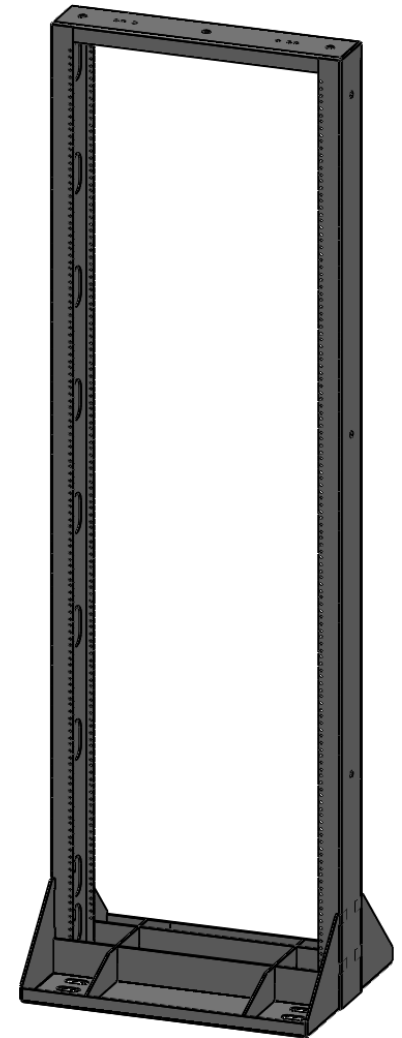
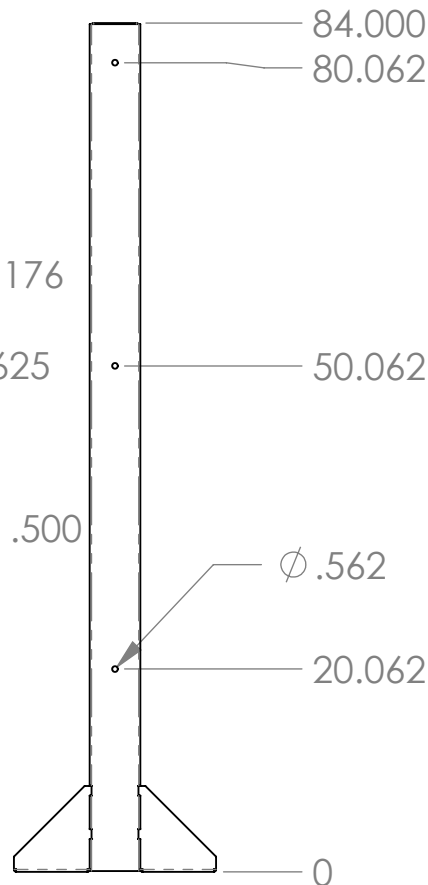
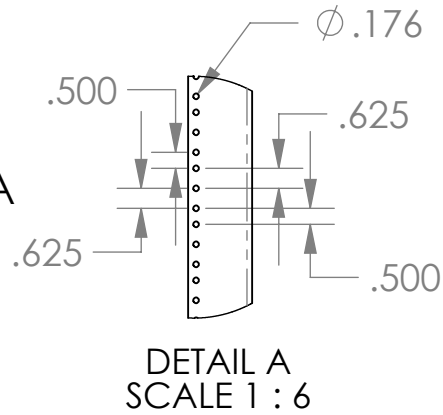
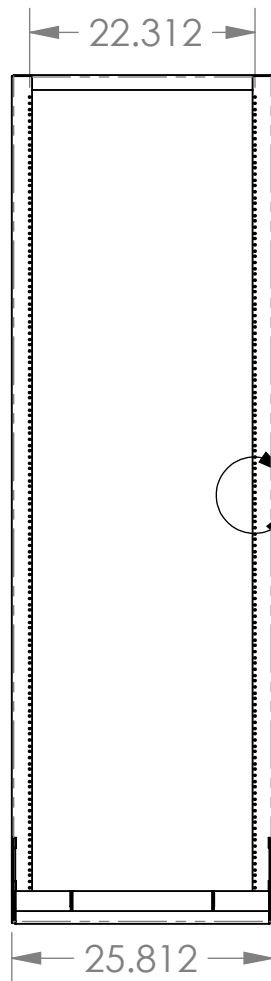
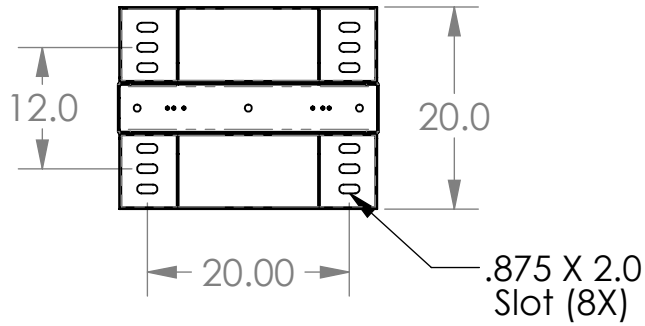
THIS DOCUMENT AND ITS CONTENTS, INCLUDING WITHOUT LIMITATION THE DRAWINGS AND OTHER INFORMATION HEREIN, ARE THE SOLE AND EXCLUSIVE PROPERTY OF SUN WEST ENGINEERING, INC.

ANY DUPLICATION, DISCLOSURE, OR USE OF ANY PORTION OF THIS DOCUMENT REQUIRES THE PRIOR WRITTEN CONSENT OF SUN WEST ENGINEERING, INC.

VIOLATIONS OF THESE TERMS SHALL BE PROSECUTED TO THE FULLEST EXTENT OF THE LAW.

NAME: 23" Z4 Rack
DWG: S051475

Note: $\phi .176$
For #12-24X3/4"
Type "F" Screws



PROPRIETARY
PROPOSAL

** PROPRIETARY AND CONFIDENTIAL **
Copyright © 2015 Sun West Engineering, Inc.

THIS PROPOSAL CONTAINS TRADE SECRETS AND OTHER PROPRIETARY AND CONFIDENTIAL INFORMATION OF SUN WEST ENGINEERING, INC.

THIS DOCUMENT AND ITS CONTENTS, INCLUDING WITHOUT LIMITATION THE DRAWINGS AND OTHER INFORMATION HEREIN, ARE THE SOLE AND EXCLUSIVE PROPERTY OF SUN WEST ENGINEERING, INC.

ANY DUPLICATION, DISCLOSURE, OR USE OF ANY PORTION OF THIS DOCUMENT REQUIRES THE PRIOR WRITTEN CONSENT OF SUN WEST ENGINEERING, INC.

VIOLATIONS OF THESE TERMS SHALL BE PROSECUTED TO THE FULLEST EXTENT OF THE LAW.