



SUN WEST ENGINEERING, INC.[®]

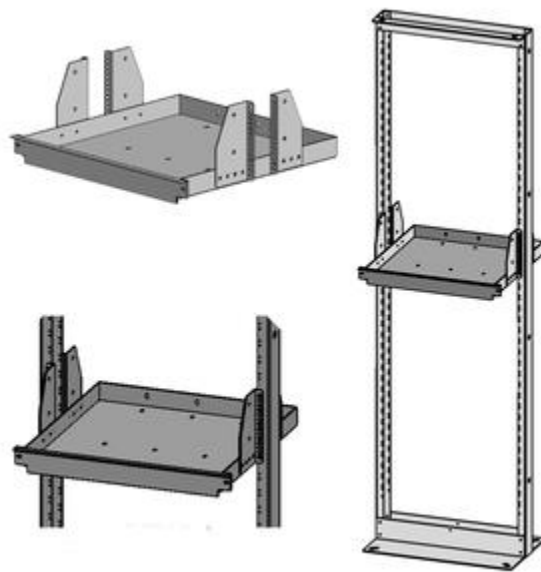
3802 E. BROADWAY Rd. PHOENIX, AZ 85040

PHONE: (602) 275-0662

FAX: (602) 276-2113

MAIL@SUNWESTENG.COM

Battery Shelf for 23" Equipment Rack



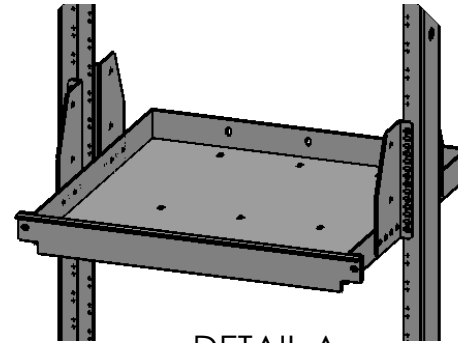
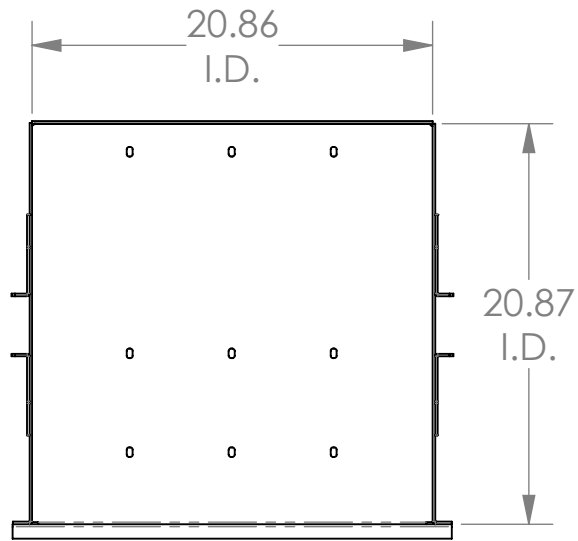
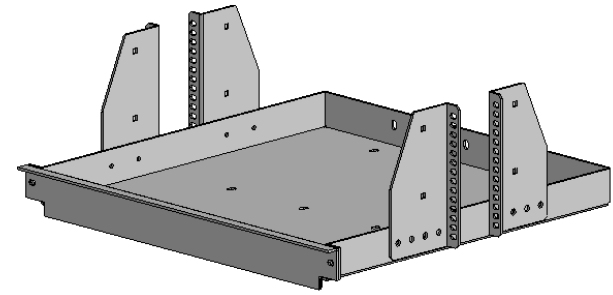
Add Additional Batteries to Your 23" Equipment Rack With Our Rack Mounted Battery Shelf.

Features:

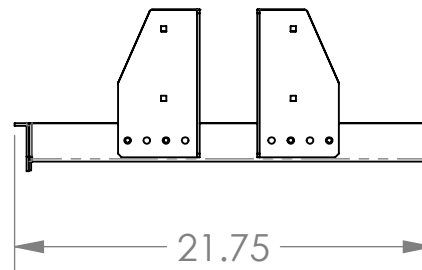
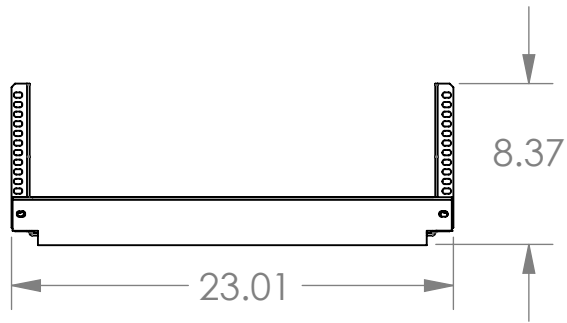
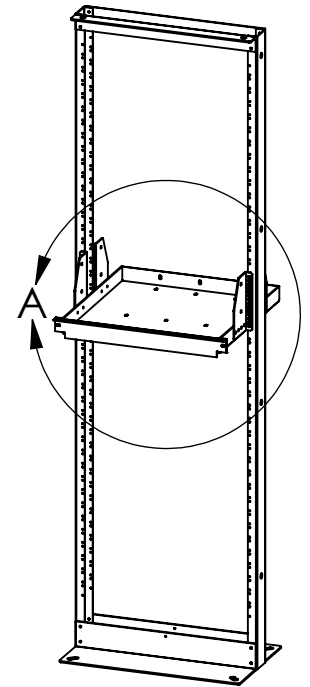
- EIA 1-1/4" – 1/2" hole pattern & IBM 5/8"- 5/8" 1/2" Hole pattern
- Accommodates Regular and Heavy Duty Racks
- 2-Stage Catalyzed Epoxy Paint
- ANSI 61 Gray Finish

Please refer to the attached drawings and full specifications. Please consult factory for special configuration options.

NAME: Battery Shelf Assy
 DWG: S060017



DETAIL A
 SCALE 1 : 12



PROPRIETARY
 PROPOSAL

**** PROPRIETARY AND CONFIDENTIAL ****
 Copyright © 2015 Sun West Engineering, Inc.

THIS PROPOSAL CONTAINS TRADE SECRETS AND OTHER PROPRIETARY AND CONFIDENTIAL INFORMATION OF SUN WEST ENGINEERING, INC.

THIS DOCUMENT AND ITS CONTENTS, INCLUDING WITHOUT LIMITATION THE DRAWINGS AND OTHER INFORMATION HEREIN, ARE THE SOLE AND EXCLUSIVE PROPERTY OF SUN WEST ENGINEERING, INC.

ANY DUPLICATION, DISCLOSURE, OR USE OF ANY PORTION OF THIS DOCUMENT REQUIRES THE PRIOR WRITTEN CONSENT OF SUN WEST ENGINEERING, INC.

VIOLATIONS OF THESE TERMS SHALL BE PROSECUTED TO THE FULLEST EXTENT OF THE LAW.