



SUN WEST ENGINEERING, INC.[®]

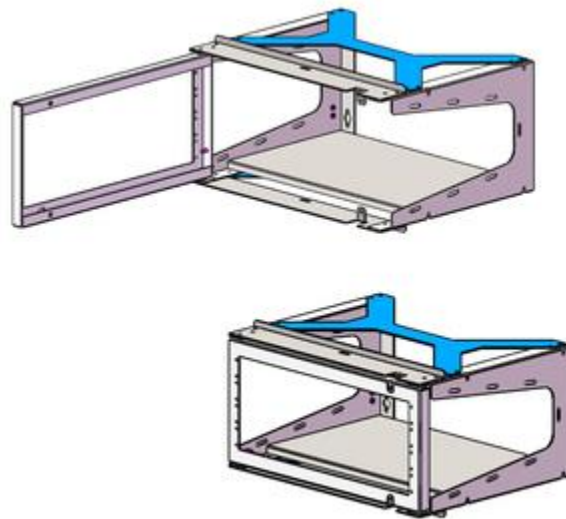
3802 E. BROADWAY Rd. PHOENIX, AZ 85040

PHONE: (602) 275-0662

FAX: (602) 276-2113

MAIL@SUNWESTENG.COM

Wall Mounted Equipment Racks



4-8-16 RU Wall Mounted Equipment Racks

Features:

- Multiple sizes available:
 - 4 RU
 - 8 RU
 - 16 RU
- Powder coated steel construction
- Copper foil taped ground strips
- Hinged door with ground strap
- Captive screw door latch

Please refer to the attached drawings and full specifications. Please consult factory for special configuration options.

**** PROPRIETARY AND CONFIDENTIAL ****
Copyright © 2015 Sun West Engineering, Inc.

**PROPRIETARY
PROPOSAL**

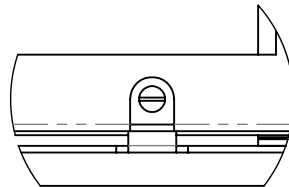
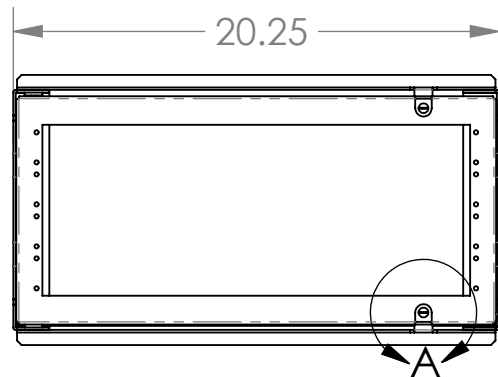
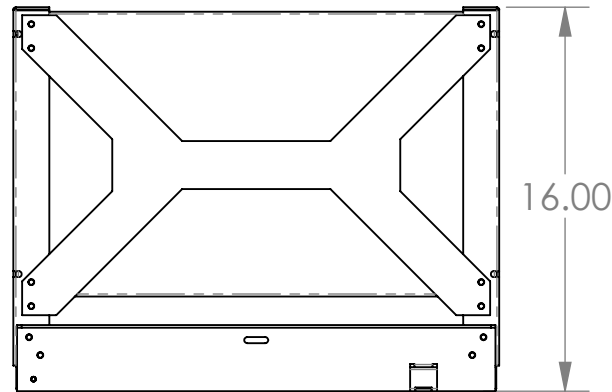
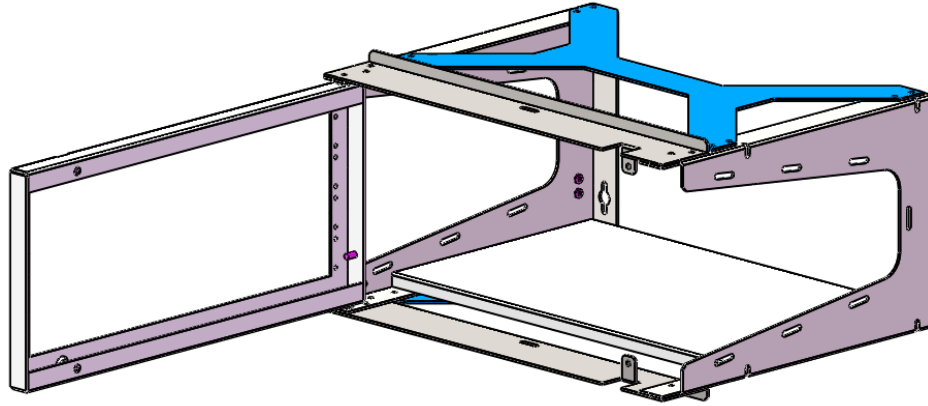
**NAME: 4 RU Wall Rack
DWG: S051527**

THIS PROPOSAL CONTAINS TRADE SECRETS AND OTHER PROPRIETARY AND CONFIDENTIAL INFORMATION OF SUN WEST ENGINEERING, INC.

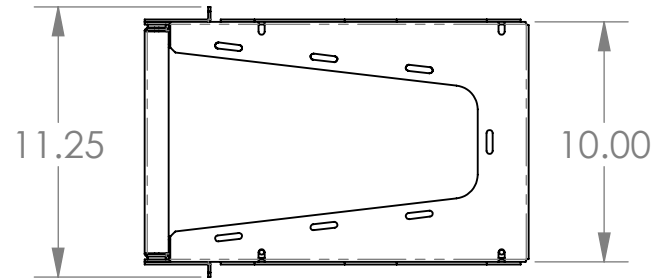
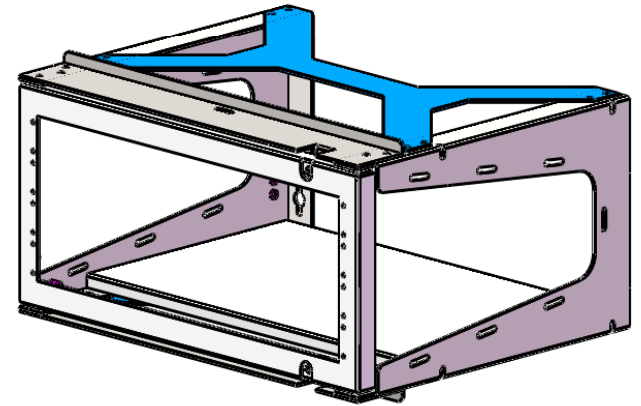
THIS DOCUMENT AND ITS CONTENTS, INCLUDING WITHOUT LIMITATION THE DRAWINGS AND OTHER INFORMATION HEREIN, ARE THE SOLE AND EXCLUSIVE PROPERTY OF SUN WEST ENGINEERING, INC.

ANY DUPLICATION, DISCLOSURE, OR USE OF ANY PORTION OF THIS DOCUMENT REQUIRES THE PRIOR WRITTEN CONSENT OF SUN WEST ENGINEERING, INC.

VIOLATIONS OF THESE TERMS SHALL BE PROSECUTED TO THE FULLEST EXTENT OF THE LAW.



**DETAIL A
SCALE 1 : 3**



**** PROPRIETARY AND CONFIDENTIAL ****
Copyright © 2015 Sun West Engineering, Inc.

**PROPRIETARY
PROPOSAL**

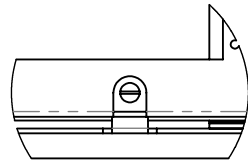
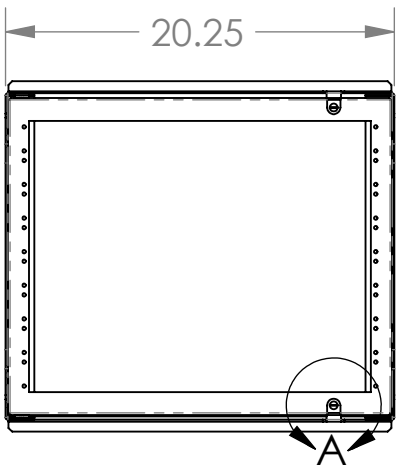
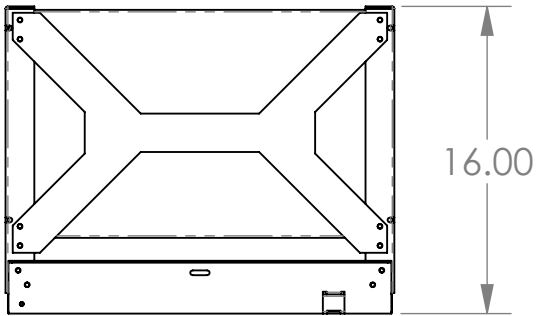
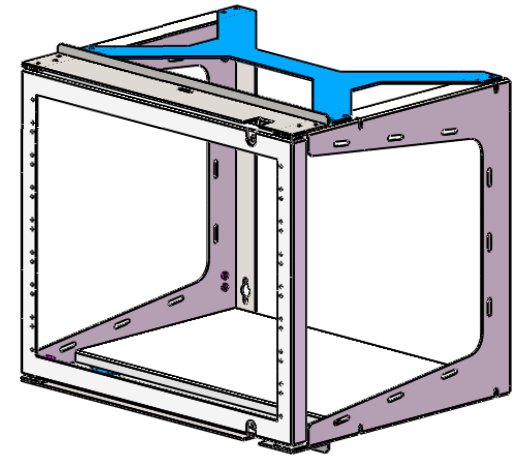
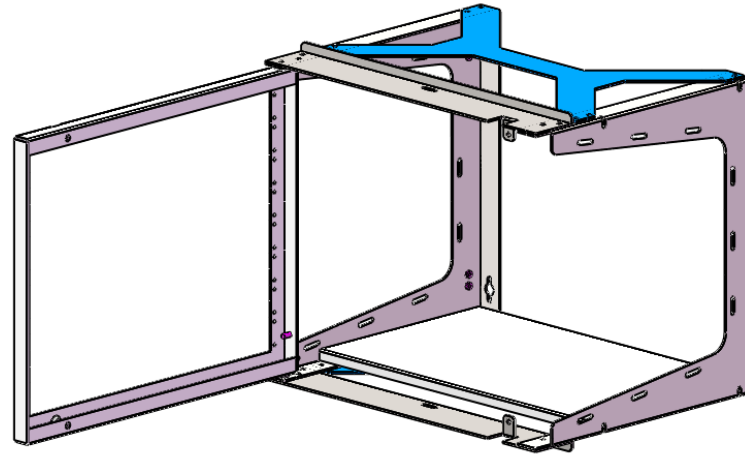
NAME: 8 RU Wall Rack
DWG: S047759

THIS PROPOSAL CONTAINS TRADE SECRETS AND OTHER PROPRIETARY AND CONFIDENTIAL INFORMATION OF SUN WEST ENGINEERING, INC.

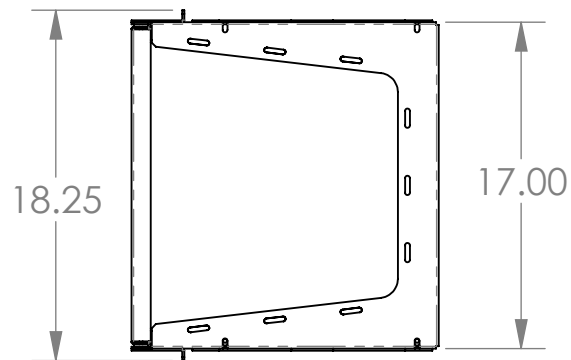
THIS DOCUMENT AND ITS CONTENTS, INCLUDING WITHOUT LIMITATION THE DRAWINGS AND OTHER INFORMATION HEREIN, ARE THE SOLE AND EXCLUSIVE PROPERTY OF SUN WEST ENGINEERING, INC.

ANY DUPLICATION, DISCLOSURE, OR USE OF ANY PORTION OF THIS DOCUMENT REQUIRES THE PRIOR WRITTEN CONSENT OF SUN WEST ENGINEERING, INC.

VIOLATIONS OF THESE TERMS SHALL BE PROSECUTED TO THE FULLEST EXTENT OF THE LAW.



DETAIL A
SCALE 1 : 4



**** PROPRIETARY AND CONFIDENTIAL ****
Copyright © 2015 Sun West Engineering, Inc.

**PROPRIETARY
PROPOSAL**

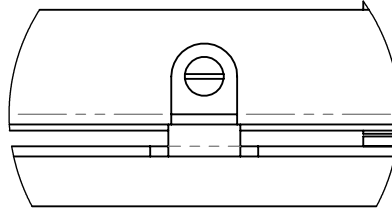
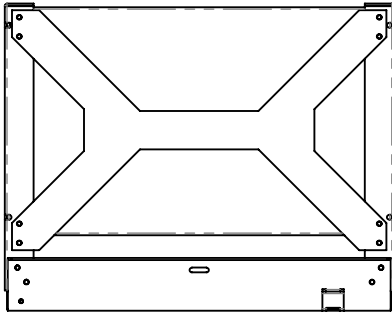
THIS PROPOSAL CONTAINS TRADE SECRETS AND OTHER PROPRIETARY AND CONFIDENTIAL INFORMATION OF SUN WEST ENGINEERING, INC.

THIS DOCUMENT AND ITS CONTENTS, INCLUDING WITHOUT LIMITATION THE DRAWINGS AND OTHER INFORMATION HEREIN, ARE THE SOLE AND EXCLUSIVE PROPERTY OF SUN WEST ENGINEERING, INC.

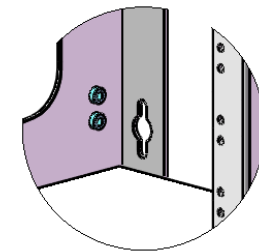
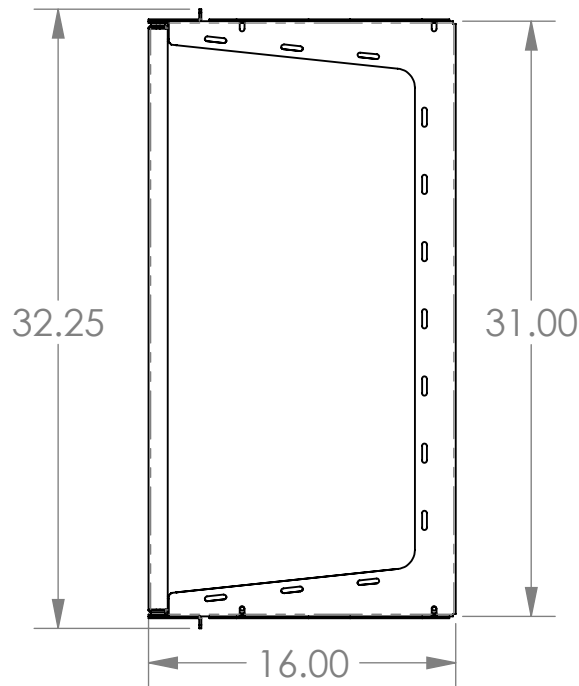
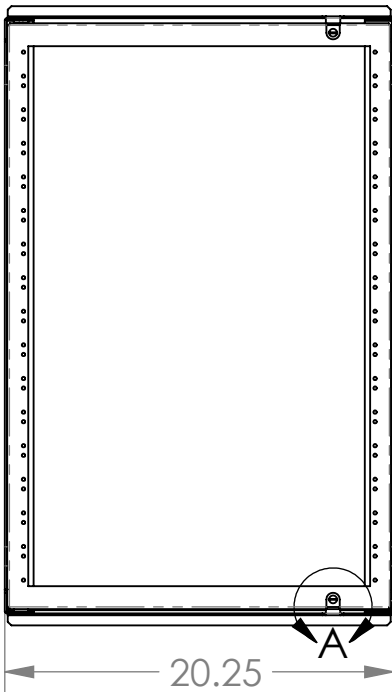
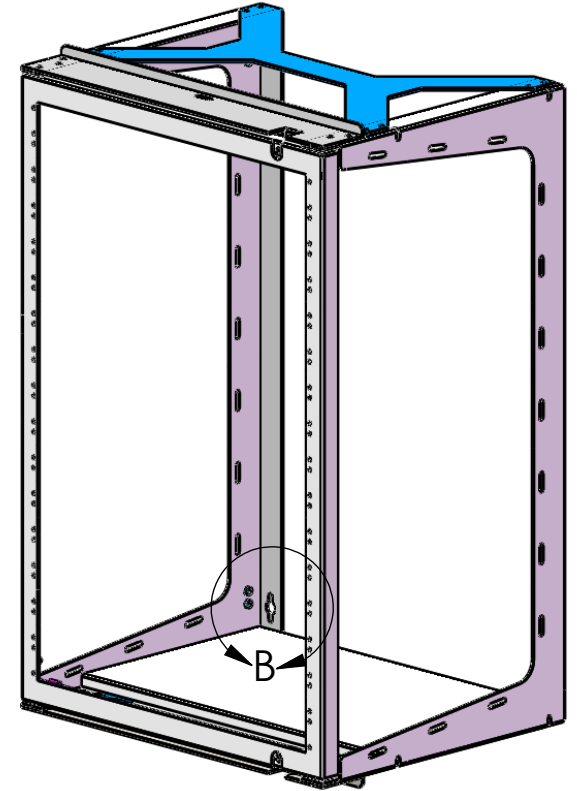
ANY DUPLICATION, DISCLOSURE, OR USE OF ANY PORTION OF THIS DOCUMENT REQUIRES THE PRIOR WRITTEN CONSENT OF SUN WEST ENGINEERING, INC.

VIOLATIONS OF THESE TERMS SHALL BE PROSECUTED TO THE FULLEST EXTENT OF THE LAW.

NAME: 16 RU Wall Rack
DWG: S047760



DETAIL A
SCALE 1 : 2



DETAIL B
SCALE 2 : 9