

(SEE KNOCKOUT PATTERN SHEET)

**PROPRIETARY PROPOSAL**

**\*\* PROPRIETARY AND CONFIDENTIAL \*\***  
 THIS DOCUMENT AND THE INFORMATION HEREIN IS THE SOLE PROPERTY OF SUN WEST ENGINEERING INC. DUPLICATION OF THIS INFORMATION WITHOUT PRIOR CONSENT OF SUN WEST ENGINEERING IS FORBIDDEN.

SW-3774

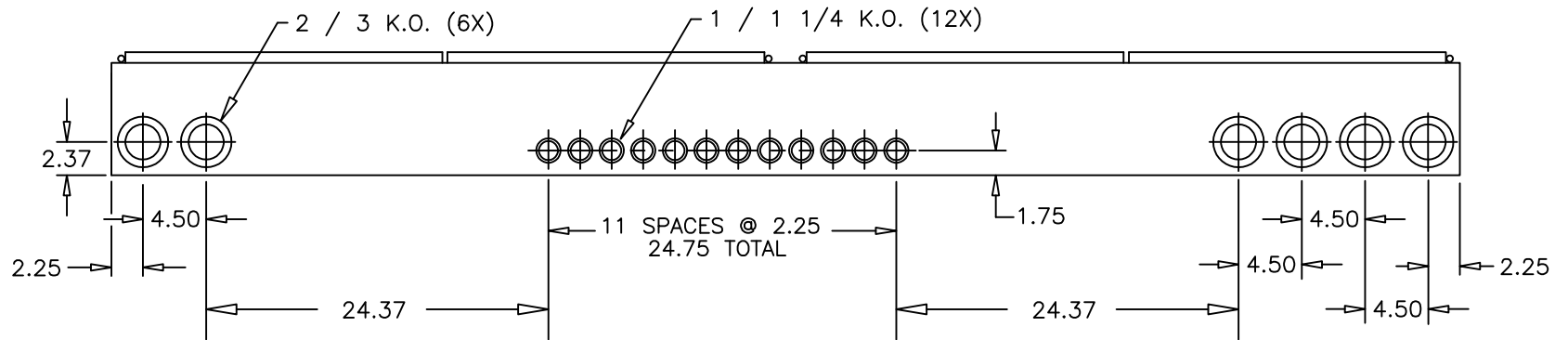


CABINET BUILT OF ZINC COATED STEEL TO NEMA 3R SPECS., AND PRIME PAINTED.

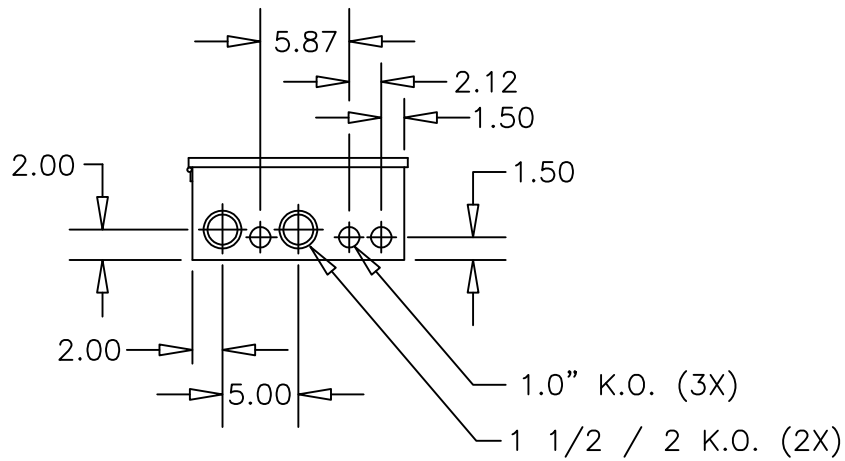
DIMENSION CHART						K.O. PATTERN
Model	"W"	"H"	"D"	MAT"L.	BARRIER	
MPOP-09604808	96.00"	48.00"	8.00"	14 GA	9.00"	#14 (PG 35)
* NON-STOCK "SB" SIZES AVAILABLE UPON REQUEST						

**SUN WEST ENGINEERING, INC.**  
 3802 E. BROADWAY, PHOENIX, AZ 85040 (602) 275-0662

**MPOP SERIES**



PATTERN #14



PATTERN #15

**PROPRIETARY  
PROPOSAL**

**\*\* PROPRIETARY AND CONFIDENTIAL \*\***

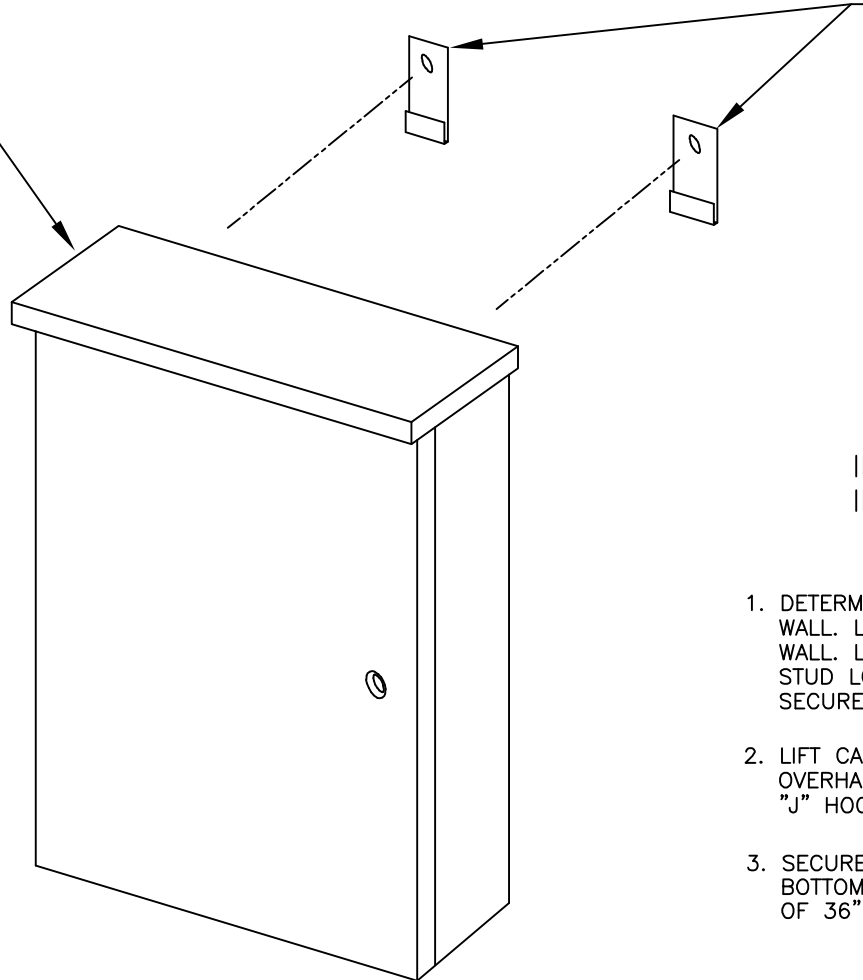
THIS DOCUMENT AND THE INFORMATION  
HEREIN IS THE SOLE PROPERTY OF  
SUN WEST ENGINEERING INC.  
DUPLICATION OF THIS INFORMATION WITHOUT  
PRIOR CONSENT OF SUN WEST ENGINEERING  
IS FORBIDDEN.

**SUN WEST ENGINEERING INC.  
KNOCKOUT PATTERN SHEET 5  
DWG. NO. SW-446**

NOTE: IF TELEPHONE EQUIPMENT PROTECTORS ARE TO BE EMPLOYED WITHIN THIS ENCLOSURE, THEN THE APPLICABLE REGULATIONS OF THE NEC, ANSI/NFPA 70 (ARTICLE 800, SEC. C) MUST BE FOLLOWED.

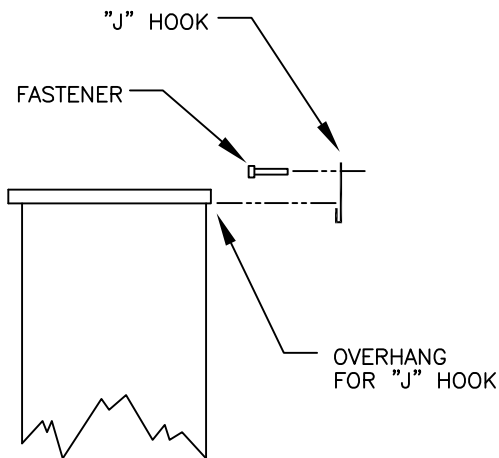
TERMINATION  
CABINET

"J" HOOKS



INSTALLATION  
INSTRUCTIONS:

1. DETERMINE LOCATION OF CABINET ON WALL. LOCATE POSITIONS OF STUDS BEHIND WALL. LINE UP "J" HOOKS TO MATCH STUD LOCATIONS AND FASTEN "J" HOOKS SECURELY TO WALL.
2. LIFT CABINET INTO PLACE ALLOWING OVERHANG ON REAR OF LID TO FALL INTO "J" HOOKS.
3. SECURE THE CABINET IN PLACE. BOTTOM OF CABINET SHOULD BE A MINIMUM OF 36" ABOVE FINAL GRADE.



**SUN WEST ENGINEERING, INC.**

3802 E. BROADWAY, PHOENIX, AZ 85040 (602) 275-0662

INSTALLATION  
INSTRUCTIONS

DWG: SW-1005