



Deployment Fence Trailer

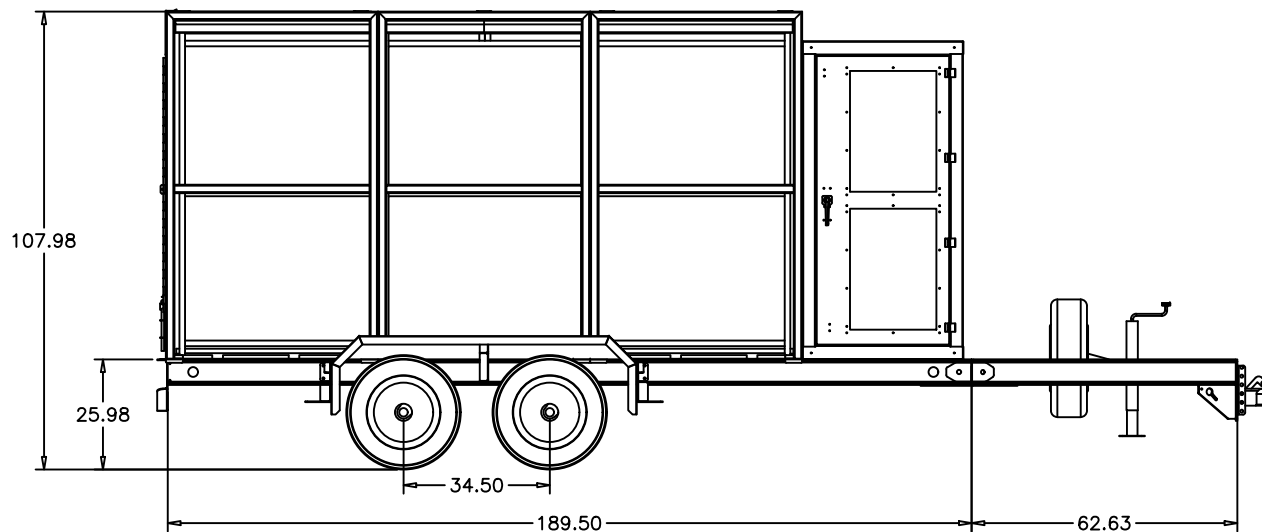
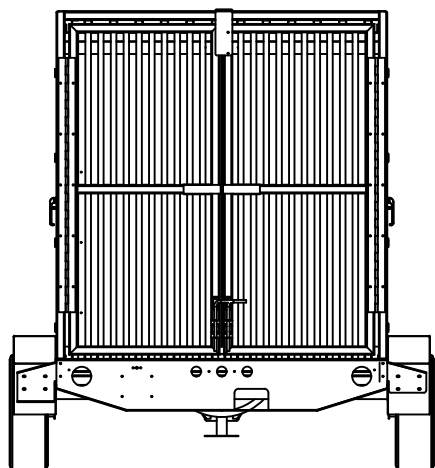
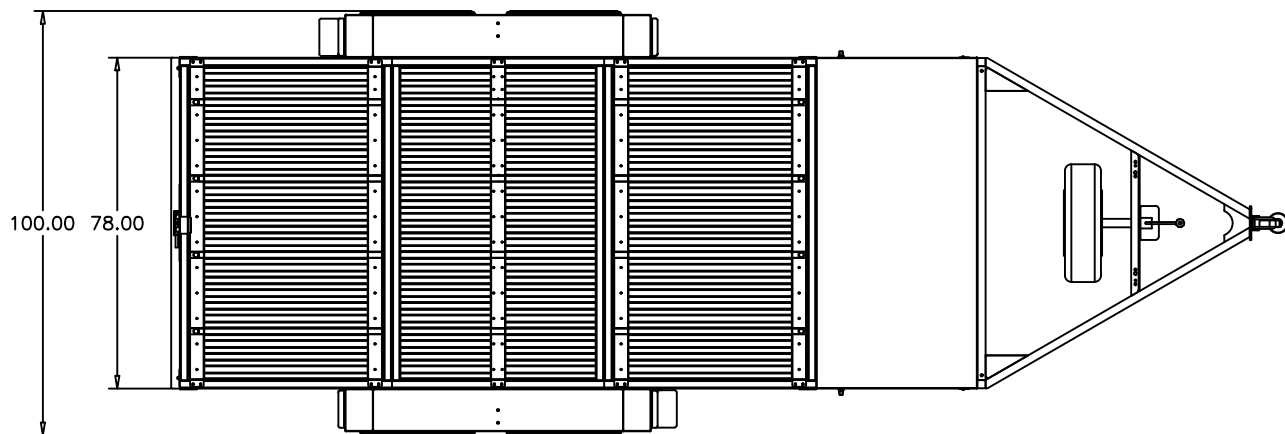
TRAILER SPECIFICATIONS

- 8,000-lb. GVWR Trailer Manufactured by Sun West Engineering, Inc.
- 5,000-lb. Lift Capacity Tongue Jack
- 12,000-lb. Rated 2" Ball Hitch - Vertically Adjustable
- Hot Dipped Galvanized Steel Trailer Construction
- 205/75/R15 Tires on 15" x 6" Steel Wheels with 1/2" Studs
- Spare Tire Included
- Electric Brakes (Both Axles)
- 12v Emergency Break-Away with Battery Maintainer
- 7-Way Trailer Connection Wiring with Rubberized 7-Way Blade-Style Connector
- Sturdy Linex® Coated 12 Gauge Steel Fenders
- DOT Compliant LED Lighting and Conspicuity Markings
- Safety Chains, 3/8" Grade 70 Zinc Plated, SWE Slack Adjustment Design
- Chain Hooks, 3/8" Grade 70 Zinc Plated, Spring Loaded Security Latch
- Weather Resistant Document Holder with See-Thru Cover

DESIGN SPECIFICATIONS

- Aluminum Two-Door Powder Coated Supply/Storage Cabinet
- Organized Foot Pad Storage Hangers
- Individual Guide Rails on Top and Bottom Provide Organized Storage For The Easy Removal & Replacement of Fence Sections
- Assembly Is Galvanized for Corrosion Protection
- Enough Fencing to Enclose a 36' x 48' Area
- Includes:
 - (22) 6' x 12' 11 Gauge Galvanized Steel Chain Link Fence Sections
 - (2) 6' x 6' 11 Gauge Galvanized Steel Chain Link Fence Sections
 - (3) 6' x 4' 16 Gauge Galvanized Steel Chain Link Gate Sections
 - (30) Yellow Painted Steel Foot Pads
 - Generous Supply of Required Clamps and Misc. Mounting Hardware






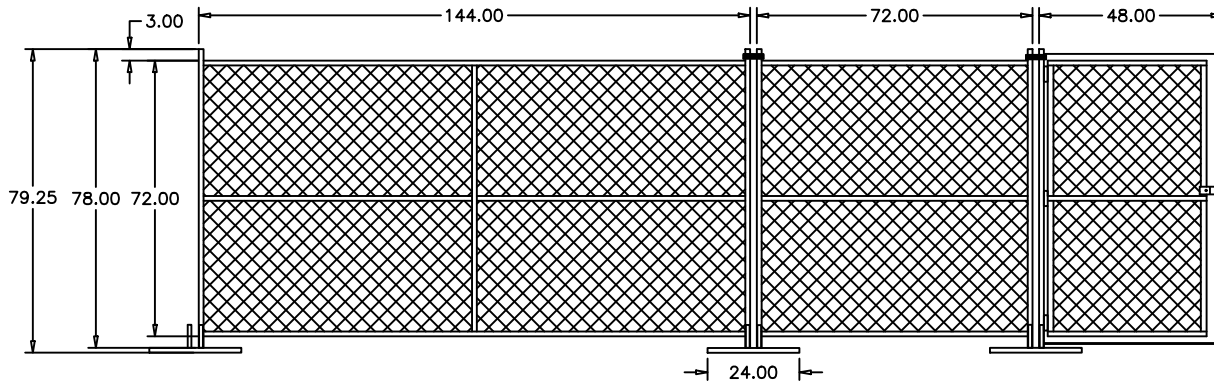
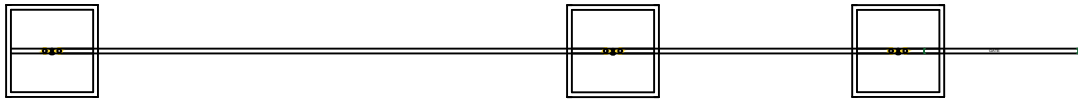
**** PROPRIETARY AND CONFIDENTIAL ****
 Copyright © 2023 & Present Sun West Engineering, Inc.
 THIS DOCUMENT CONTAINS TRADE SECRETS AND
 OTHER PROPRIETARY AND CONFIDENTIAL
 INFORMATION OF SUN WEST ENGINEERING, INC.

**PROPRIETARY
 DOCUMENT**

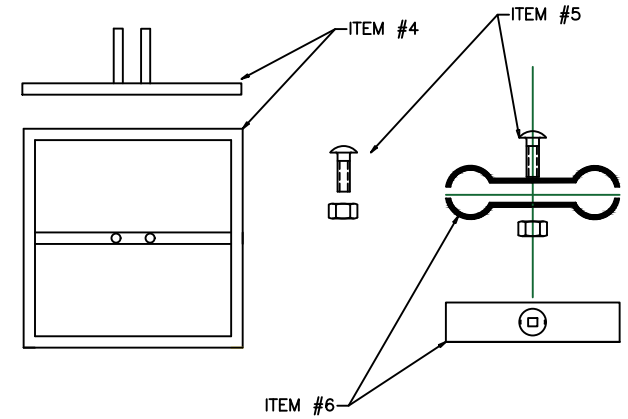
THIS DOCUMENT AND ITS CONTENTS, INCLUDING
 WITHOUT LIMITATION THE DRAWING AND OTHER
 INFORMATION HEREIN, ARE THE SOLE AND EXCLUSIVE
 PROPERTY OF SUN WEST ENGINEERING, INC.

ANY DUPLICATION, DISCLOSURE OR USE OF ANY
 PORTION OF THIS DOCUMENT REQUIRES THE PRIOR
 WRITTEN CONSENT OF SUN WEST ENGINEERING, INC.

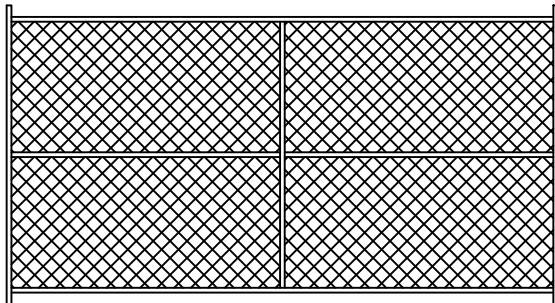
		SUN WEST ENGINEERING, INC. 3802 E BROADWAY, PHOENIX, AZ 85040 (602) 275-0862	
		TITLE: 16' PORTABLE FENCE TRAILER (WITH FENCING)	
		CUSTOMER:	
PLOT SCALE: .XXXX=1		SHEET: 1 of 1	
DRAWN BY: <i>MDT</i>		DATE: 2/21/23	
REVISED:		DWG. SW-5839	



ITEMS 4, 5, 6
NOT TO SCALE TO SHOW DETAIL

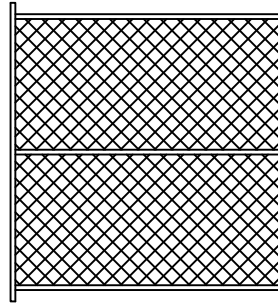


6' x 12'
FENCE SECTION
(22x)



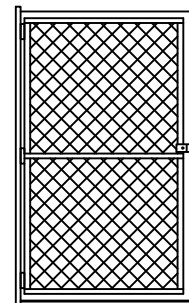
ITEM #1

6' x 6'
FENCE SECTION
(2x)



ITEM #2

6' x 4'
MAN GATE SECTION
(3x)



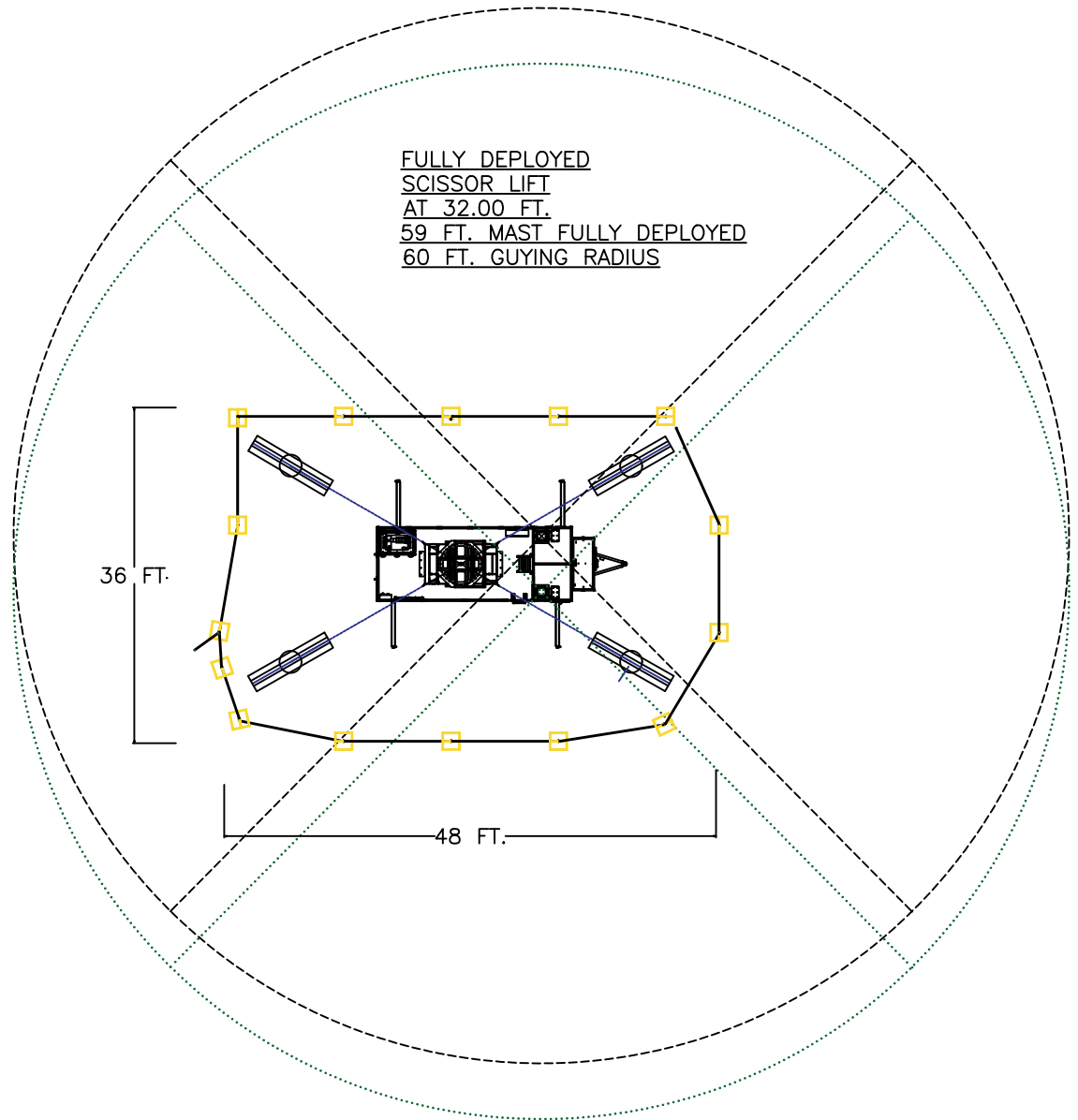
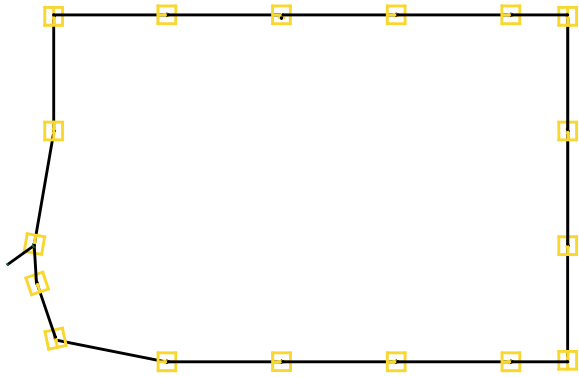
ITEM #3

ITEM NO.	PART NO.	DESCRIPTION	QTY.
1	6 X 12	FENCE SECTION	22
2	6 X 6	FENCE SECTION	2
3	6 X 4	FENCE SECTION	3
4	2 X 2	FOOT PAD	30
5	3/8 -16 X 1-1/2	CARRIAGE BOLT W / NY-LOCK NUT CLEAR ZINC	100
6	5.25 x 1.1875	POST CLAMP	40 PR/80 PCS

PROPRIETARY DOCUMENT

**** PROPRIETARY AND CONFIDENTIAL ****
 Copyright © 2018 & Present Sun West Engineering, Inc.
 THIS DOCUMENT CONTAINS TRADE SECRETS AND
 OTHER PROPRIETARY AND CONFIDENTIAL
 INFORMATION OF SUN WEST ENGINEERING, INC.
 THIS DOCUMENT AND ITS CONTENTS, INCLUDING
 WITHOUT LIMITATION THE DRAWING AND OTHER
 INFORMATION HEREIN, ARE THE SOLE AND EXCLUSIVE
 PROPERTY OF SUN WEST ENGINEERING, INC.
 ANY DUPLICATION, DISCLOSURE OR USE OF ANY
 PORTION OF THIS DOCUMENT REQUIRES THE PRIOR
 WRITTEN CONSENT OF SUN WEST ENGINEERING, INC.

	SUN WEST ENGINEERING, INC. 3802 E BROADWAY, PHOENIX, AZ 85040 (602) 275-0862	
	TITLE: 16' PORTABLE FENCE TRAILER (WITH FENCING)	
CUSTOMER:		
PLOT SCALE: .XXXX=1	SHEET: 2 of 2	
DRAWN BY: <i>MDT</i>	DATE: 11/12/19	
REVISED:	DWG. SW-5839	




**** PROPRIETARY AND CONFIDENTIAL ****
 Copyright © 2018 & Present Sun West Engineering, Inc.
 THIS DOCUMENT CONTAINS TRADE SECRETS AND
 OTHER PROPRIETARY AND CONFIDENTIAL
 INFORMATION OF SUN WEST ENGINEERING, INC.

**PROPRIETARY
 DOCUMENT**

THIS DOCUMENT AND ITS CONTENTS, INCLUDING
 WITHOUT LIMITATION THE DRAWING AND OTHER
 INFORMATION HEREIN, ARE THE SOLE AND EXCLUSIVE
 PROPERTY OF SUN WEST ENGINEERING, INC.

ANY DUPLICATION, DISCLOSURE OR USE OF ANY
 PORTION OF THIS DOCUMENT REQUIRES THE PRIOR
 WRITTEN CONSENT OF SUN WEST ENGINEERING, INC.

		SUN WEST ENGINEERING, INC. 3802 E BROADWAY, PHOENIX, AZ 85040 (602) 275-0862	
		TITLE: 16' PORTABLE FENCE TRAILER (WITH FENCING)	
CUSTOMER:			
PLOT SCALE: .XXXX=1	SHEET: 3 of 3		
DRAWN BY: <i>MDT</i>	DATE: 11/12/19		
REVISED:	DWG. SW-5839		